

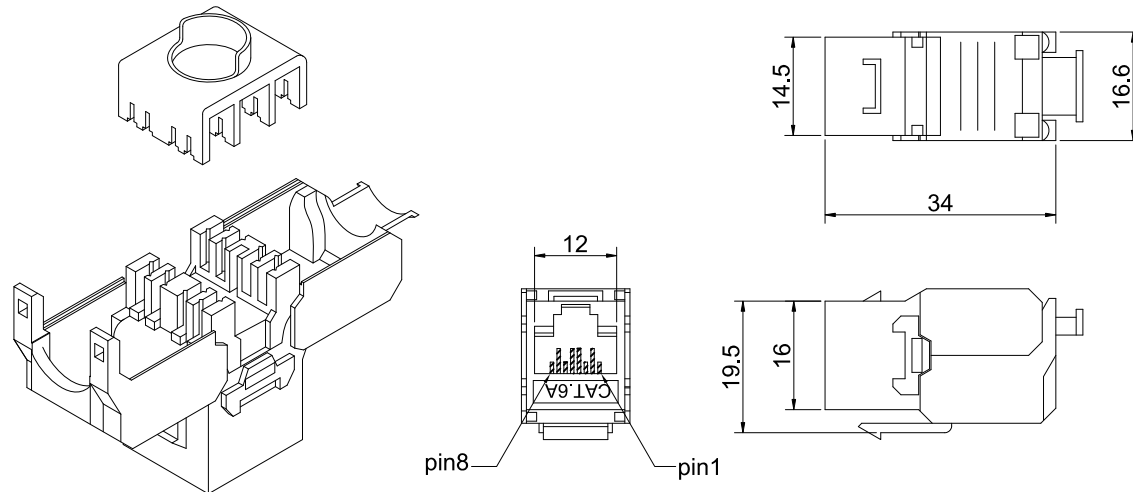
3		A1	Support Panel	SPCC	1	Black
2		A1	Back Panel	SPCC	1	Black
1		A1	Front Panel	Plastic	1	Black
ITEM	DRAWING	REV	DESCRIPTION	MATERIAL	QTY.	NOTE



MAT'L		PRODUCT NO.	ADD-PPST-24PTKSC6A		
UNITS	mm	PRODUCT NAME	19-inch Cat6A 24-Port Straight 1U Patch Panel with Removable tool-less Keystone Sections		
SCALE	1:1	DRAWING NO.			
TYPE OF PROJECTION			SHEET 1 OF 1	REV	

NOTE:

1. The parts have no obvious indentation, remove burrs, and blunt at acute angles
2. After spraying, the parts are smooth and clean, without appearance defects such as leakage bottom
3. The silk screen must be clear and free of rough edges



ELECTRICAL:

- 1.VOLTAGE RATING: 125 VAC RMS
- 2.CURRENT RATING: 1.5AMP
- 3.CONTACT RESISTANCE: 100 MILLIOHMS MAX @ 500 VDC
- 4.INSULATION RESISTANCE: 1000 MEGOHMS MIN
- 5.INSULATION STRENGTH: 750 VAC RMS 60Hz,1MIN

ENVIRONMENTAL:

- 1.STORAGE: -40°C TO +85°C
- 2.OPERATION: 0°C TO 70°C
- CONFORM TO TIA/EIA 568BC.2.

MECHANICAL:

- 1.HOUSING MATERIAL: PC
- 2.INSERT MATERIAL: PBT
- 3.PCB MATERIAL: FR-4 THICKNESS:1.6mm
- 4.CONTACT MATERIAL: PHOSPHOR BRONZE STAMP PIN T=0.35mm
- 5.IDC CONTACT MATERIAL: PHOSPHOR BRONZE T=50-80u NICKEL PLATING
- 6.WIRE: AWG 22~26

+ addon

MATERIAL		UNIT	MM	SCALE	1:1
DIMENSIONAL TOLERANCE		THIRD ANGLE PROJECTION		DRAWN	
X.X	±0.3			CHECK	
X.XX	±0.10			APPROVAL	
X.XXX	±0.050				
ANGLE	1°				