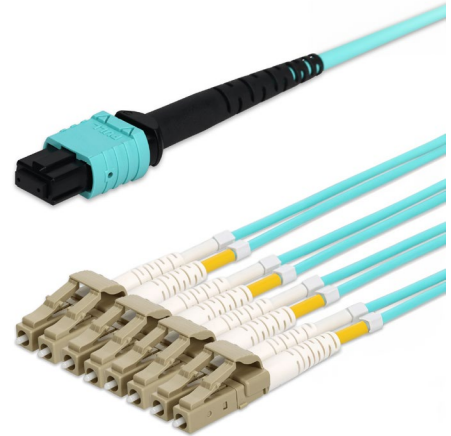


## ADD-MPO-4LC1M5OM4P

1m MPO/UPC to 4xLC/UPC Duplex Aqua OM4 OFNP (Plenum-Rated) 8-Strand Fiber Fanout Cable

### Features

- OM4 Rated
- Female MPO connectors to Male LC Connectors
- Plenum Jacket
- Color: Aqua
- MPO Insertion Loss:  $\leq 0.5\text{dB}$
- MPO Return Loss:  $\geq 30\text{dB}$
- LC Insertion Loss:  $\leq 0.2\text{dB}$
- LC Return Loss:  $\geq 35\text{dB}$



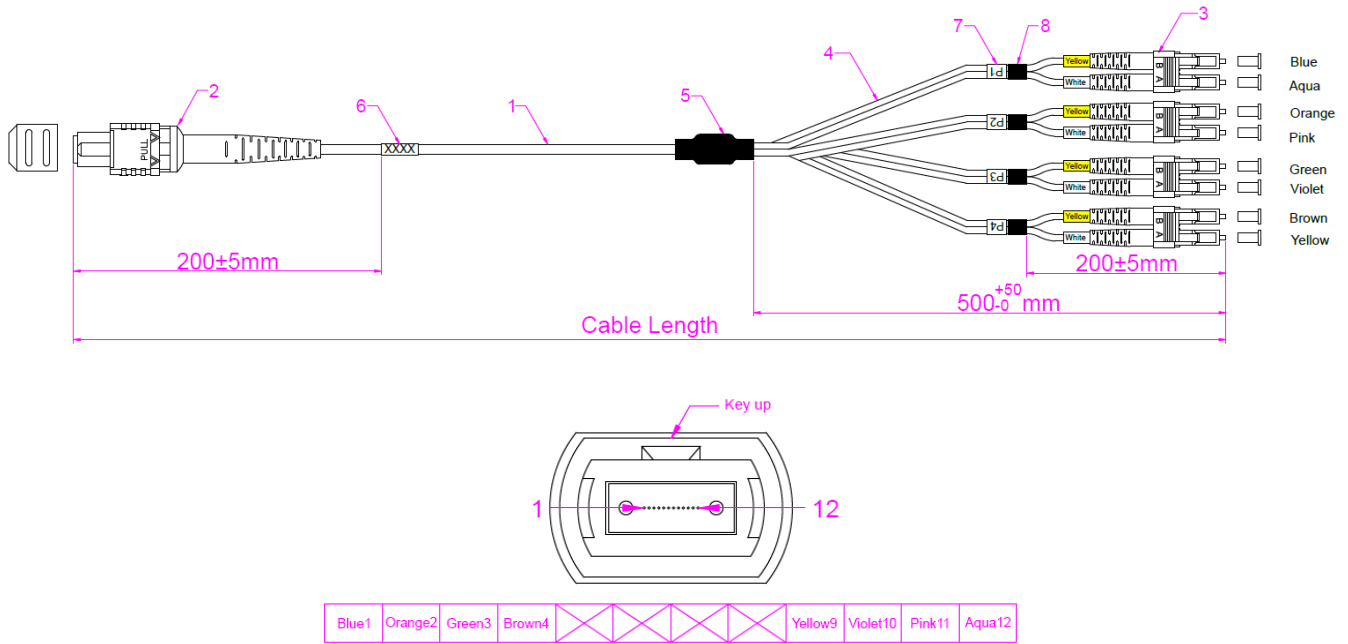
### Product Description

This is a 1m MPO/UPC to 4xLC/UPC Duplex Aqua OM4 OFNP (Plenum-Rated) 8-Strand Fiber Fanout Cable. OM4 fiber optic cable is a high-performance multimode fiber optimized for high-speed data transmission, supporting up to 100G over distances of up to 150 meters. Ideal for data centers and large-scale network infrastructures, it delivers superior bandwidth and reliability for demanding business applications. OFNP plenum fiber cable jackets are engineered for use in air-handling spaces, such as ceilings and ducts, offering the highest fire resistance to prevent flame spread and reduce smoke in the event of a fire. These cables meet stringent safety standards, making them the top choice for businesses that need safe, reliable networking in critical building areas. The Standard Boot option provides reliable and straightforward connections for fiber cables, making it an economical choice for various networking applications. Ideal for businesses that require dependable performance without the complexity, this option ensures consistent data transmission in everyday network setups. Our cables are TIA compliant, ensuring performance for all networking needs.

## Specifications

Parameter	Specification
Environment	Indoor
Fiber Type	MMF
Connector	MPO (Female) to 8xLC (Male)
Color	Aqua
Shielded	No
Strand Count	8
Cable Mode	Multiple
Jacket Type	Plenum
Termination Type	Crossover
Core/Cladding	50/125 $\mu$ m
Fiber Termination	UPC - Ultra Physical Contact
Polarity	Method B
Cable Type	OM4
Armored	No
Bend Insensitivity	G.657.A1
Connector 1 Ferrule Polish	UPC (Ultra Physical Contact)
Connector 2 Ferrule Polish	UPC (Ultra Physical Contact)
Insertion Loss Grade	Grade C
Fire Rating	Plenum (OFNP)
Jacket Material	PVDF (Polyvinylidene Fluoride)
Outer Diameter	3.0mm
Connector 1 Boot Style	Standard Boot
Connector 2 Boot Style	Standard Boot
Connector 1 Color	Aqua
Connector 2 Color	Beige
Insertion Loss (MPO)	$\leq 0.5$ dB
Return Loss (MPO)	$\geq 30$ dB
Insertion Loss (LC)	$\leq 0.2$ dB
Return Loss (LC)	$\geq 35$ dB
<b>Cable Tolerance</b>	
Cable Length <1m	5cm
1m $\leq$ Cable Length <15m	10cm
15m $\leq$ Cable Length <30m	15cm
Cable Length $\geq 30$ m	Cable Length* 1%

## Mechanical Specifications



Item	Quantity	Specifications
1	A/R	Ø3.0mm, Multi-Mode 50/125 OM4, 8 Fibers Single Jacket Micro Cable, PVC/LSZH/OFNP, Color: Aqua
2	1	MPO/PC Female MM, 12F Connector, Aqua Housing, Black Boot
3	4	LC/PC MM, Duplex, 2.0mm Connector, Beige Housing, 19mm Short White Boot
4	A/R	OD: 2.0mm, Duplex, Color: Aqua
5	1	Fanout Kit
6	1	Serial Number Label
7	4	Cable Marker
8	4	Black Shrinkage Tube

## About AddOn Networks

In 1999, AddOn Networks entered the market with a single product. Our founders fulfilled a severe shortage for compatible, cost-effective optical transceivers that compete at the same performance levels as leading OEM manufacturers. Adhering to the idea of redefining service and product quality not previously had in the fiber optic networking industry, AddOn invested resources in solution design, production, fulfillment, and global support.

Combining one of the most extensive and stringent testing processes in the industry, an exceptional free tech support center, and a consistent roll-out of innovative technologies, AddOn has continually set industry standards of quality and reliability throughout its history.

Reliability is the cornerstone of any optical fiber network and is engrained in AddOn's DNA. It has played a key role in nurturing the long-term relationships developed over the years with customers. AddOn remains committed to exceeding industry standards with certifications from ranging from NEBS Level 3 to ISO 9001:2005 with every new development while maintaining the signature reliability of its products.



## U.S. Headquarters

Email: [sales@addonnetworks.com](mailto:sales@addonnetworks.com)

Telephone: +1 877.292.1701

Fax: 949.266.9273

## Europe Headquarters

Email: [salesupportemea@addonnetworks.com](mailto:salesupportemea@addonnetworks.com)

Telephone: +44 1285 842070