

C-CWDM-ODM1RX-XX-YY

19" 1U Rack Mount, xCh CWDM Add or Drop Mux xxxnm, UPC/LC

Features

- Cabinet rack in 1RU cartridge chassis
- Low optical insertion loss
- Low cost
- UPC/LC connectors
- Cascadable
- Operating temperature range: 0°C to 70°C

Product Description

This is a xchannel CWDM optical add-drop multiplexer with UPC/LC connectors. It allows you to add and drop channels CWDM wavelength into the two directions of an optical ring. This unit adds and drops separate CWDM wavelengths in a passive CWDM system. This OADM supports 1260nm to 1620nm CWDM wavelengths with monitor ports.

Order Information

Part Number	Description
C-CWDM-ODM1R1-XX-YY	19" 1U Rack Mount, 1Ch CWDM Add or Drop Mux xxxnm, UPC/LC
C-CWDM-ODM1R2-XX-YY	19" 1U Rack Mount, 2Ch CWDM Add or Drop Mux xxxnm, UPC/LC
C-CWDM-ODM1R3-XX-YY	19" 1U Rack Mount, 3Ch CWDM Add or Drop Mux xxxnm, UPC/LC

Replace xxxx with full CWDM wavelength: i.e. 1471

Replace xx-yy with beginning and ending CWDM wavelength (i.e. 47-49)

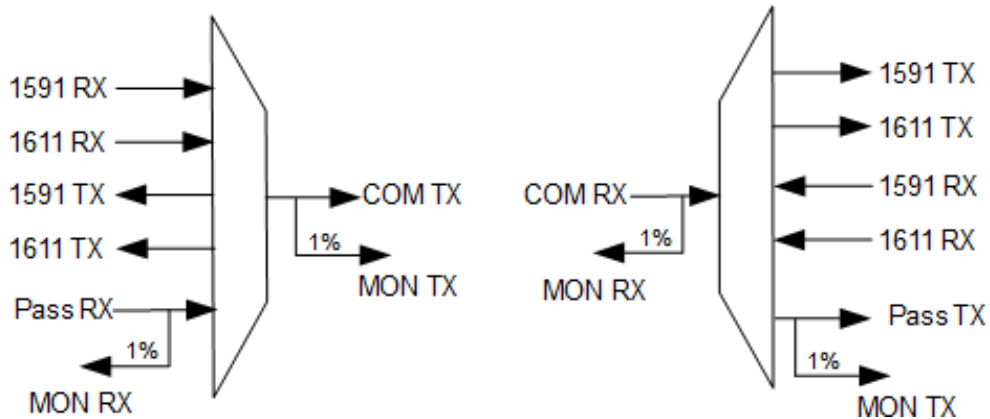
Specifications

Parameter		Spec	Unit
Insertion Loss	Typ	1	dB
	Max	1.3	dB
Center Wavelength		1271,1291,1311,1331,1351,1371,1391,1411,1431 1451,1471,1491,1511,1531,1551,1571,1591,1611	nm
Channel Spacing		20	nm
Channel Bandwidth		±6.5	nm
Adjacent Channel Isolation		≥30	dB
Non-Adjacent Channel Isolation		≥40	dB
Return Loss		≥50	dB
Directivity		≥55	dB
Monitor Ports		1%	
Operating temperature		0 to +70	°C
Storage temperature		-40 to +85	°C
Connector Type		UPC/LC	

Front Panel and Wiring Diagram



Light Path Diagram



Mechanical Dimensions

Unit: mm

