



DISPLAYPORT1-5F

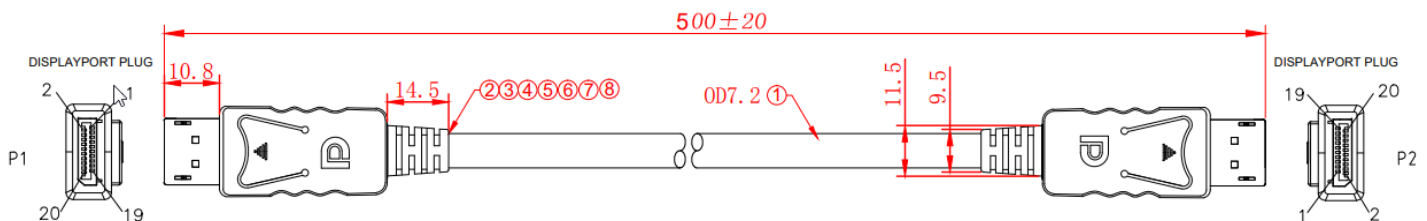
1.5ft DisplayPort 1.2 Male to DisplayPort 1.2 Male Black Cable For Resolution Up to 3840x2160 (4K UHD)

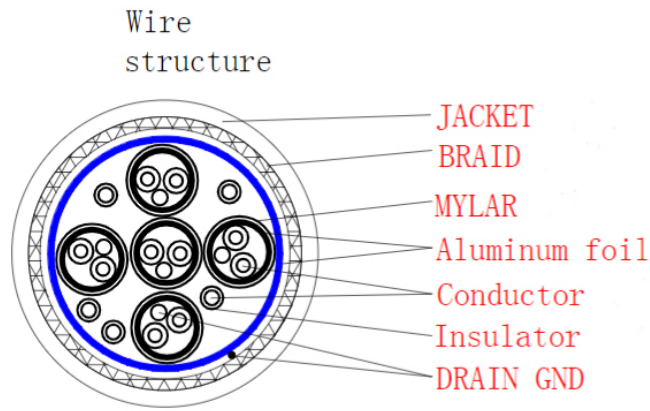
Product Description

This is a 1.5ft DisplayPort male to male black cable for connectivity between display devices. This device offers a maximum resolution of 3840x2160 (4K UHD). This part is designed to fit your application needs by providing DisplayPort 1.2 to DisplayPort 1.2 connectivity. Our 100% tested DP to DP cables are backed by a 3 year warranty and are guaranteed to work the first time.

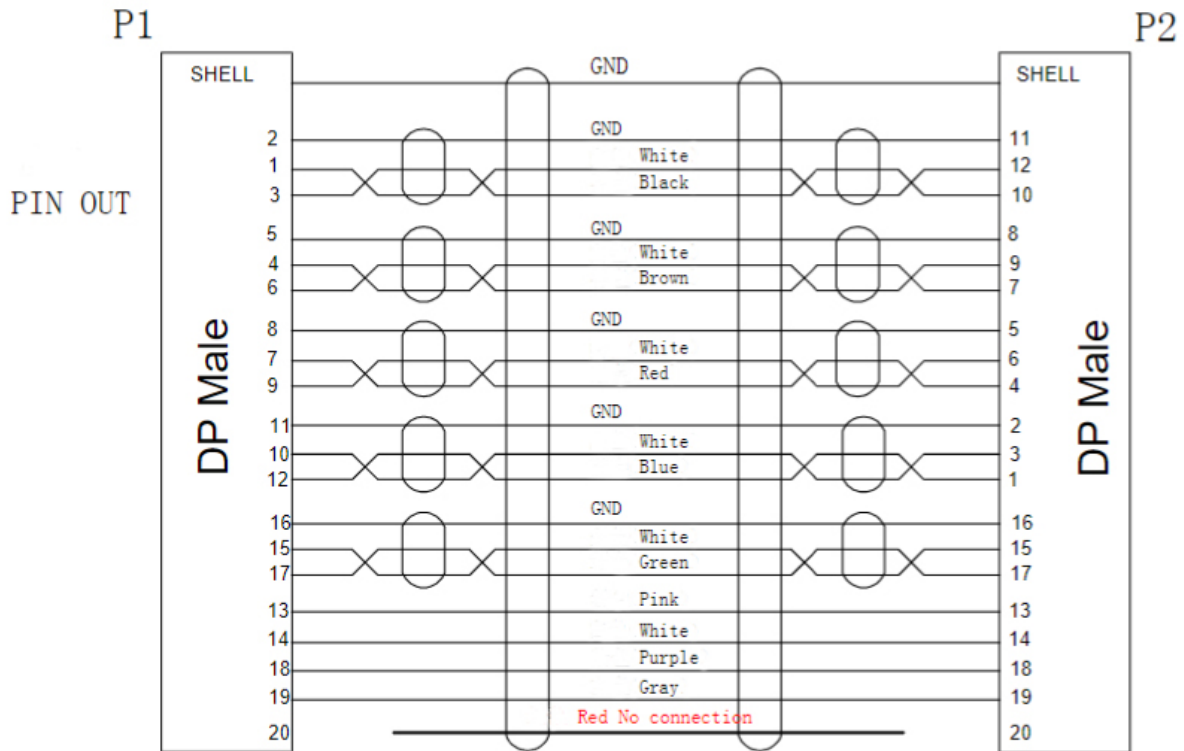
Specifications

Serial Number	Material	Description	Quantity	Unit
1	Cable Spec	(1P*30#+D+AL+ML) *5+5C*30#+ML+AL+D+B; OD7. 2; Black	50	CM
2	Plug	DP Male, Gold Plated	2	Pcs
3	Housing	Top shell ABS 36. 6*20. 2*6. 1mm Black	2	Pcs
4	Housing	Bottom shell ABS 36. 6*20. 2*6. 1mm Black	2	Pcs
5	Clamp	PA66 14. 8*4. 7*3. 1mm Black	2	Pcs
6	Internal Model	LDPE transparent	5.5	g
7	External Model	60P PVC Black	2.3	g
8	Cap	PE Foggy surface	2	Pcs





Pin Descriptions



About AddOn Networks

In 1999, AddOn Networks entered the market with a single product. Our founders fulfilled a severe shortage for compatible, cost-effective optical transceivers that compete at the same performance levels as leading OEM manufacturers. Adhering to the idea of redefining service and product quality not previously had in the fiber optic networking industry, AddOn invested resources in solution design, production, fulfillment, and global support.

Combining one of the most extensive and stringent testing processes in the industry, an exceptional free tech support center, and a consistent roll-out of innovative technologies, AddOn has continually set industry standards of quality and reliability throughout its history.

Reliability is the cornerstone of any optical fiber network and is engrained in AddOn's DNA. It has played a key role in nurturing the long-term relationships developed over the years with customers. AddOn remains committed to exceeding industry standards with certifications from ranging from NEBS Level 3 to ISO 9001:2005 with every new development while maintaining the signature reliability of its products.

U.S. Headquarters

Email: sales@addonnetworks.com

Telephone: +1 877.292.1701

Fax: 949.266.9273

Europe Headquarters

Email: salesupportemea@addonnetworks.com

Telephone: +44 1285 842070