

## QSFP28-100GB-ZR4-HW2-AO

Huawei® Compatible TAA 100GBase-ZR4 QSFP28 Transceiver (SMF, 1295nm to 1309nm, 80km w/FEC, LC, DOM)

### Features

- Compliant with IEEE 802.3ba, ITU-T G.959
- Single 3.3V Power Supply
- Compliant with 4x28G (CEI-28G-VSR)
- Transmitter: cooled 4x25Gbps LAN WDM EML TOSA
- Receiver: 4x25Gbps SOA+PIN ROSA
- Maximum Power Consumption of 5.5W
- Hot-pluggable QSFP28 MSA form factor
- 4x25G Electrical Interface
- Single-mode Fiber
- Duplex LC Connector
- Commercial Temperature 0 to 70 Celsius
- RoHS Compliant and Lead Free



### Applications

- 100GBase Ethernet
- Access and Enterprise

### Product Description

This Huawei® QSFP28 transceiver provides 100GBase-ZR4 throughput up to 80km over single-mode fiber (SMF) using a wavelength of 1295nm to 1309nm via an LC connector. It is guaranteed to be 100% compatible with the equivalent Huawei® transceiver. This easy to install, hot swappable transceiver has been programmed, uniquely serialized and data-traffic and application tested to ensure that it will initialize and perform identically. Digital optical monitoring (DOM) support is also present to allow access to real-time operating parameters. This transceiver is Trade Agreements Act (TAA) compliant. We stand behind the quality of our products and proudly offer a limited lifetime warranty.

AddOn's transceivers are RoHS compliant and lead-free.

TAA refers to the Trade Agreements Act (19 U.S.C. & 2501-2581), which is intended to foster fair and open international trade. TAA requires that the U.S. Government may acquire only "U.S. – made or designated country end products."



## Absolute Maximum Ratings

Parameter	Symbol	Min.	Typ.	Max.	Unit
Supply Voltage	Vcc	-0.5		3.6	V
Storage Temperature	Tstg	-40		85	°C
Operating Case Temperature	Tc	0		70	°C
Relative Humidity	RH	5		85	%
Rx Damage Threshold Per Lane	THd	5.5			dBm
Data Rate	DR		25.78125		Gbps
Link Distance with G.652 (With FEC)	D1			80	km

## Electrical Characteristics

Parameter	Symbol	Min.	Typ.	Max.	Unit	Notes
Supply Voltage	Vcc	3.135	3.3	3.465	V	
Supply Current	Icc			1.66	A	
Power Consumption				5.5	W	
<b>Transmitter</b>						
Input Differential Impedance	RIN		100		Ω	1
Differential Data Input Swing	VIN,pp	180		1000	mV	
Transmit Disable Voltage	VD	Vcc-1.3		Vcc	V	
Transmit Enable Voltage	VEN	Vee		Vee+0.8	V	2
<b>Receiver</b>						
Differential Data Output Swing	VOUT,pp	300		850	mV	3
LOS Fault	VLOS Fault	Vcc-1.3		Host_Vcc	V	4
LOS Normal	VLOS Normal	Vee		Vee+0.8	V	4

### Notes:

1. Connected directly to the Tx data input pins. AC coupled thereafter.
2. Optional for Tx disable.
3. Into 100Ω differential termination.
4. Loss of Signal is LVTTTL. "Logic 0" indicates normal operation. "Logic 1" indicates no signal detected.
5. Tested under recommended operating conditions, unless otherwise noted.

## Optical Characteristics

Parameter	Symbol	Min.	Typ.	Max.	Unit	Notes	
<b>Transmitter</b>							
<b>Center Wavelength</b>	<b>Lane 0</b>	$\lambda_0$	1294.53	1295.56	1296.59	nm	
	<b>Lane 1</b>	$\lambda_1$	1299.02	1300.05	1301.09	nm	
	<b>Lane 2</b>	$\lambda_2$	1301.54	1304.58	1305.63	nm	
	<b>Lane 3</b>	$\lambda_3$	1308.09	1309.14	1310.19	nm	
<b>Total Launch Power (100GE)</b>	$P_{avg}$	7		12.5	dBm	1	
<b>Average Launch Power Per Lane (100GE)</b>	$P_{Lane}$	1		6.5	dBm	1	
<b>Difference in Launch Power Between Lanes</b>	$P_{\Delta}$			3	dB		
<b>Average Laser Output Power (Laser Off)</b>	$P_{off}$			-30	dBm		
<b>Side-Mode Suppression Ratio</b>	SMSR	30			dB		
<b>Extinction Ratio (100GE &amp; OTU4)</b>	ER	6			dB		
<b>Receiver</b>							
<b>Center Wavelength</b>	<b>Lane 0</b>	$\lambda_0$	1294.53	1295.56	1296.59	nm	
	<b>Lane 1</b>	$\lambda_1$	1299.02	1300.05	1301.09	nm	
	<b>Lane 2</b>	$\lambda_2$	1301.54	1304.58	1305.63	nm	
	<b>Lane 3</b>	$\lambda_3$	1308.09	1309.14	1310.19	nm	
<b>Damage Threshold</b>	PDAM			5.5	dBm		
<b>Average Rx Power Per Lane</b>	$PRX_{Lane}$	-28		4.5	dBm		
<b>Receiver Sensitivity Per Lane (OMA)</b>				-26.4	dBm	2	
<b>LOS Assert</b>	LOSA	-40			dBm		
<b>LOS De-Assert</b>	LOSD			-29	dBm		
<b>LOS Hysteresis</b>	LOSH	0.5			dB		

### Notes:

1. The optical power is launched into SMF.
2. Measured with a PRBS  $2^{31}-1$  test pattern @25.78125Gbps,  $BER \leq 5E^{-5}$ .

## Pin Descriptions

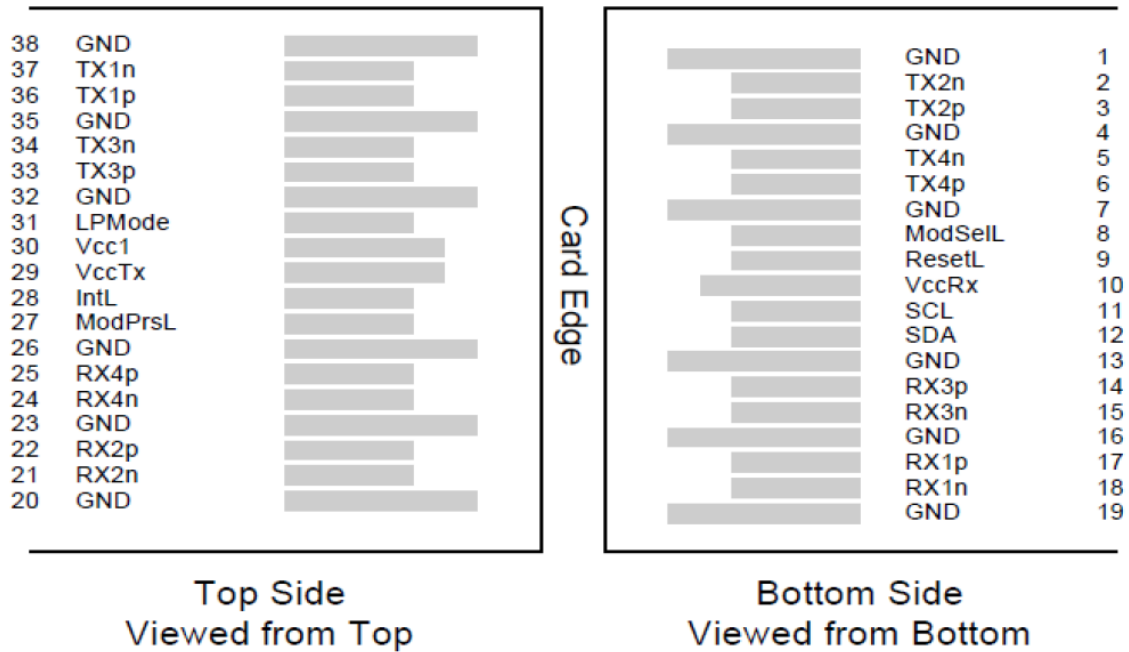
Pin	Logic	Symbol	Name/Description	Notes
1		GND	Module Ground.	1
2	CML-I	Tx2-	Transmitter Inverted Data Input.	
3	CML-I	Tx2+	Transmitter Non-Inverted Data Input.	
4		GND	Module Ground.	1
5	CML-I	Tx4-	Transmitter Inverted Data Input.	
6	CML-I	Tx4+	Transmitter Non-Inverted Data Input.	
7		GND	Module Ground.	1
8	LVTTTL-I	ModSelL	Module Select.	
9	LVTTTL-I	ResetL	Module Reset.	
10		VccRx	+3.3V Receiver Power Supply.	2
11	LVCNOS-I/O	SCL	2-Wire Serial Interface Clock.	
12	LVCNOS-I/O	SDA	2-Wire Serial Interface Data.	
13		GND	Module Ground.	1
14	CML-O	Rx3+	Receiver Non-Inverted Data Output.	
15	CML-O	Rx3-	Receiver Inverted Data Output.	
16		GND	Module Ground.	1
17	CML-O	Rx1+	Receiver Non-Inverted Data Output.	
18	CML-O	Rx1-	Receiver Inverted Data Output.	
19		GND	Module Ground.	1
20		GND	Module Ground.	1
21	CML-O	Rx2-	Receiver Inverted Data Output.	
22	CML-O	Rx2+	Receiver Non-Inverted Data Output.	
23		GND	Module Ground.	1
24	CML-O	Rx4-	Receiver Inverted Data Output.	
25	CML-O	Rx4+	Receiver Non-Inverted Data Output.	
26		GND	Module Ground.	1
27	LVTTTL-O	ModPrsL	Module Present.	
28	LVTTTL-O	IntL/RxLOSL	Interrupt. Optionally configurable as RxLOSL via the management interface (SFF-8636).	
29		VccTx	+3.3V Transmitter Power Supply.	2
30		Vcc1	+3.3V Power Supply.	2
31	LVTTTL-I	LPMode/TxDis	Low-Power Mode. Optionally configurable as TxDis via the management interface (SFF-8636).	
32		GND	Module Ground.	1
33	CML-I	Tx3+	Transmitter Non-Inverted Data Input.	
34	CML-I	Tx3-	Transmitter Inverted Data Input.	

35		GND	Module Ground.	1
36	CML-I	Tx1+	Transmitter Non-Inverted Data.	
37	CML-I	Tx1-	Transmitter Inverted Data Input.	
38		GND	Module Ground.	1

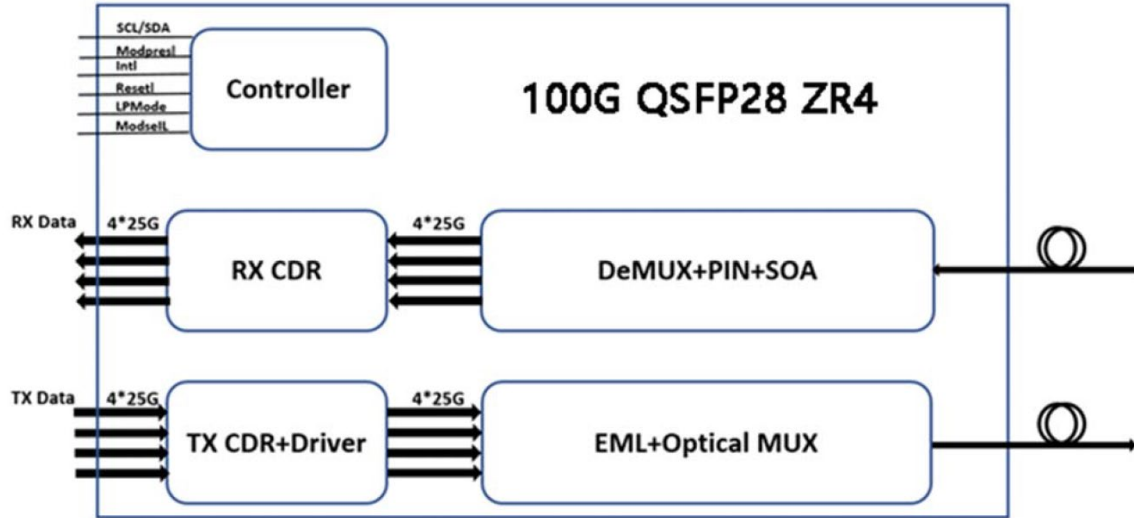
**Notes:**

1. GND is the symbol for signal and supply (power) common for the module. All are common within the module, and all module voltages are referenced to this potential unless otherwise noted. Connect these directly to the host board signal-common ground plane.
2. VccRx, Vcc1, and VccTx are applied concurrently and may be internally connected within the module in any combination. Vcc contacts in SFF-8662 and SFF-8672 each have a steady state current rating of 1A.

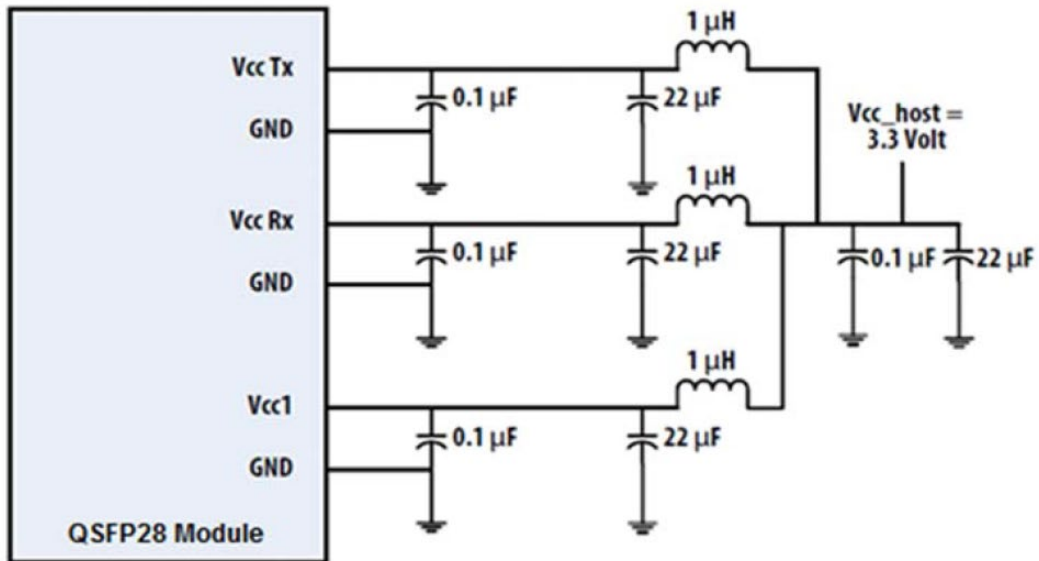
**Electrical Pin-Out Details**



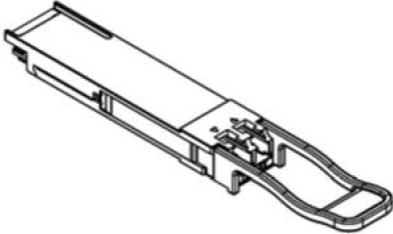
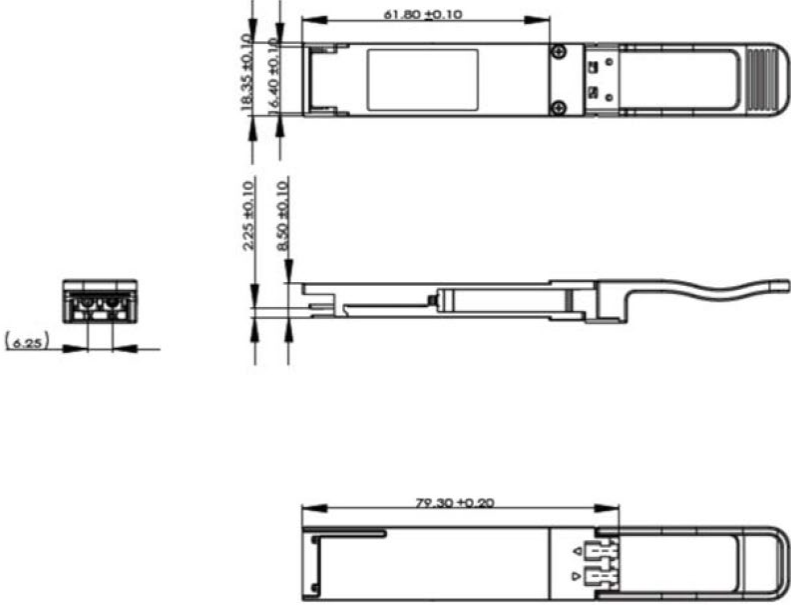
### Functional Diagram



### Recommended Power Supply Filter



Mechanical Specifications



## About AddOn Networks

In 1999, AddOn Networks entered the market with a single product. Our founders fulfilled a severe shortage for compatible, cost-effective optical transceivers that compete at the same performance levels as leading OEM manufacturers. Adhering to the idea of redefining service and product quality not previously had in the fiber optic networking industry, AddOn invested resources in solution design, production, fulfillment, and global support.

Combining one of the most extensive and stringent testing processes in the industry, an exceptional free tech support center, and a consistent roll-out of innovative technologies, AddOn has continually set industry standards of quality and reliability throughout its history.

Reliability is the cornerstone of any optical fiber network and is engrained in AddOn's DNA. It has played a key role in nurturing the long-term relationships developed over the years with customers. AddOn remains committed to exceeding industry standards with certifications from ranging from NEBS Level 3 to ISO 9001:2005 with every new development while maintaining the signature reliability of its products.



## U.S. Headquarters

Email: [sales@addonnetworks.com](mailto:sales@addonnetworks.com)

Telephone: +1 877.292.1701

Fax: 949.266.9273

## Europe Headquarters

Email: [salesupportemea@addonnetworks.com](mailto:salesupportemea@addonnetworks.com)

Telephone: +44 1285 842070