

OSFP-800GB-AEC-2M-AR-C

Arista Networks® Compatible TAA 800GBase-AEC OSFP to OSFP Active Electrical Cable (AEC, 2m, CMIS 5.0)

Features:

- 8-Lane Active Transceiver, Supports Data Rates up to 800Gbps
- 8x106.25Gbps Tx and 8x106.25Gbps Rx Parallel Channels
- Hot-Pluggable OSFP Type 1 Form Factor, MSA Compliant
- Power Consumption: 8.0W Per Cable End
- PAM4 Encoding
- CMIS 5.3
- Single 3.3V Power Supply
- Operating Temperature Range: 0 to 70 Celsius
- RoHS Compliant and Lead-Free



Applications:

- 800GBase Ethernet

Product Description

This is an Arista Networks® compatible 800GBase-AEC OSFP to OSFP active electrical cable that operates over active copper with a maximum reach of 2.0m (6.6ft). It has been programmed, uniquely serialized, and data-traffic and application tested to ensure it is 100% compliant and functional. This active electrical cable is TAA (Trade Agreements Act) compliant, and is built to comply with MSA (Multi-Source Agreement) standards. We stand behind the quality of our products and proudly offer a limited lifetime warranty.

ProLabs' transceivers are RoHS compliant and lead-free.

TAA refers to the Trade Agreements Act (19 U.S.C. & 2501-2581), which is intended to foster fair and open international trade. TAA requires that the U.S. Government may acquire only "U.S.-made or designated country end products."



General Specifications

| Parameter | Symbol | Min. | Typ. | Max. | Unit | Notes |
|-----------------------------|--------|------|--------|--------------------|------|-------|
| Storage Temperature | Tstg | -40 | | 85 | °C | |
| Operating Case Temperature | Tc | 0 | | 70 | °C | |
| Relative Operating Humidity | RH | 5 | | 85 | % | |
| Bend Radius | | 3 | | | cm | |
| Data Rate Per Channel | DR | | 53.125 | | GBd | |
| Aggregate Bit Rate | BRAVE | | 800 | | Gbps | |
| Lane Bit Rate | BRLANE | | 106.25 | | Gbps | 1 |
| Label Bit Tolerance | | -100 | | 100 | ppm | |
| Bit Error Ratio | BER | | | 2.4E ⁻⁴ | | 2 |
| 2-Wire Serial Interface | I2C | | 400 | 1000 | kHz | 3 |

Notes:

1. PAM4.
2. Pre-FEC.
3. Timing per CMIS 5.x.

Physical Characteristics

| Parameter | Symbol | Min. | Typ. | Max. | Unit | Notes |
|-----------------|-------------------------------------|------|------|------|------|-------|
| Length | L | | | 2 | M | |
| AWG | | | 30 | | AWG | |
| Jacket Material | Plastic Braided Mesh Technology Net | | | | | |

Electrical Specifications

| Parameter | Symbol | Min. | Typ. | Max. | Unit | Notes |
|---|---------------|-------------------------------|------|---------|-------|-------|
| Supply Voltage | Vcc | 3.13 | 3.3 | 3.47 | V | |
| Power Dissipation Per End | PD | | 6.5 | 8.0 | W | |
| ESD Rating High-Speed Signal Pins | VESD_IO | -1 | | 1 | kV | |
| ESD Rating All Pins Except High-Speed Signal Pins | VESD | -2 | | 2 | kV | |
| SCL and SDA Outputs | VOL | 0 | | 0.4 | V | |
| SCL and SDA Inputs | VIL | -0.3 | | Vcc*0.3 | V | |
| | VIH | Vcc*0.7 | | Vcc+0.5 | V | |
| INT/RSTn | H_Vref_INT | 2.475 | 2.5 | 2.525 | V | |
| | M_Vref_RSTn | 1.238 | 1.25 | 1.263 | V | |
| | V_INT/RSTN_1 | 0 | 0 | 1 | V | |
| | V_INT/RSTN_2 | 0 | 0 | 1 | V | |
| | V_INT/RSTN_3 | 1.5 | 1.9 | 2.25 | V | |
| | V_INT/RSTN_4 | 2.75 | 3.0 | 3.465 | V | |
| LPWn/PRSn | H_Vref_PRSn | 2.475 | 2.5 | 2.525 | V | |
| | M_Vref_LPWn | 1.238 | 1.25 | 1.263 | V | |
| | V_LPWn/PRSn_1 | 0 | 0.95 | 1.1 | V | |
| | V_LPWn/PRSn_2 | 1.4 | 1.7 | 2.25 | V | |
| | V_LPWn/PRSn_3 | 2.75 | 3.3 | 3.465 | V | |
| Transmitter | | | | | | |
| Single-Ended Input Voltage | | -0.35 | | 2.85 | V | |
| Differential Pk-Pk Input Voltage | VIN,pp | 900 | | | mVp-p | |
| Differential Input Impedance | ZIN | 80 | 100 | 120 | Ω | |
| Differential to Common-Mode Return Loss | SCD11 | IEEE802.3ck_Equation (120G-2) | | | dB | |
| Effective Return Loss (ERL) | | | | 8.5 | dB | |
| Differential Termination Mismatch | | | | 10 | % | |
| Receiver | | | | | | |
| Single-Ended Output Voltage | | -0.35 | | 2.85 | V | |
| AC Common-Mode Voltage | | | | 17.5 | mV | |
| Differential Output Voltage Swing | VOUT,pp | | | 900 | mVp-p | |
| Differential Output Impedance | ZOUT | 80 | 100 | 120 | Ω | |
| Common-Mode to Differential Return Loss | SCD11 | IEEE802.3ck_Equation (120G-1) | | | dB | |
| Effective Return Loss (ERL) | | 8.5 | | | dB | |
| Differential Termination Mismatch | | | | 10 | ! | |
| Transition Time (20-80%) | Tr/Tf | 8.5 | | | ps | |

Pin Descriptions

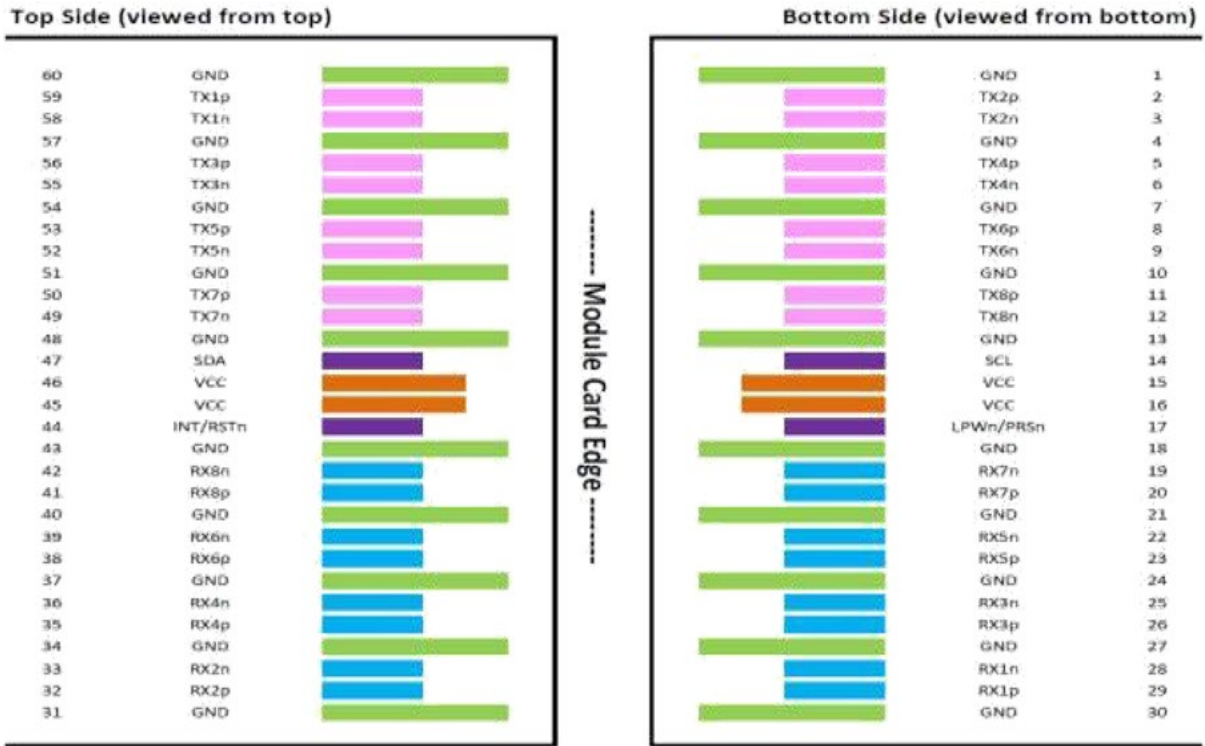
| Pin | Symbol | Name/Description | Logic | Plug Sequence | Direction | Notes |
|-----|-----------|--------------------------------|-------------|---------------|------------------|-------|
| 1 | GND | Module Ground. | | 1 | | |
| 2 | Tx2+ | Transmitter Data Non-Inverted. | CML-I | 3 | Input from Host | |
| 3 | Tx2- | Transmitter Data Inverted. | CML-I | 3 | Input from Host | |
| 4 | GND | Module Ground. | | 1 | | |
| 5 | Tx4+ | Transmitter Data Non-Inverted. | CML-I | 3 | Input from Host | |
| 6 | Tx4- | Transmitter Data Inverted. | CML-I | 3 | Input from Host | |
| 7 | GND | Module Ground. | | 1 | | |
| 8 | Tx6+ | Transmitter Data Non-Inverted. | CML-I | 3 | Input from Host | |
| 9 | Tx6- | Transmitter Data Inverted. | CML-I | 3 | Input from Host | |
| 10 | GND | Module Ground. | | 1 | | |
| 11 | Tx8+ | Transmitter Data Non-Inverted. | CML-I | 3 | Input from Host | |
| 12 | Tx8- | Transmitter Data Inverted. | CML-I | 3 | Input from Host | |
| 13 | GND | Module Ground. | | 1 | | |
| 14 | SCL | 2-Wire Serial Interface Clock. | LVC MOS-I/O | 3 | Bi-Directional | 1 |
| 15 | Vcc | +3.3V Power. | | 2 | Power from Host | |
| 16 | Vcc | +3.3V Power. | | 2 | Power from Host | |
| 17 | LPWn/PRSn | Low-Power Mode/Module Present. | Multi-Level | 3 | Bi-Directional | 2 |
| 18 | GND | Module Ground. | | 1 | | |
| 19 | Rx7- | Receiver Data Inverted. | CML-O | 3 | Output from Host | |
| 20 | Rx7+ | Receiver Data Non-Inverted. | CML-O | 3 | Output from Host | |
| 21 | GND | Module Ground. | | 1 | | |
| 22 | Rx5- | Receiver Data Inverted. | CML-O | 3 | Output from Host | |
| 23 | Rx5+ | Receiver Data Non-Inverted. | CML-O | 3 | Output from Host | |
| 24 | GND | Module Ground. | | 1 | | |
| 25 | Rx3- | Receiver Data Inverted. | CML-O | 3 | Output from Host | |
| 26 | Rx3+ | Receiver Data Non-Inverted. | CML-O | 3 | Output from Host | |
| 27 | GND | Module Ground. | | 1 | | |
| 28 | Rx1- | Receiver Data Inverted. | CML-O | 3 | Output from Host | |
| 29 | Rx1+ | Receiver Data Non-Inverted. | CML-O | 3 | Output from Host | |
| 30 | GND | Module Ground. | | 1 | | |
| 31 | GND | Module Ground. | | 1 | | |
| 32 | Rx2+ | Receiver Data Non-Inverted. | CML-O | 3 | Output from Host | |
| 33 | Rx2- | Receiver Data Inverted. | CML-O | 3 | Output from Host | |
| 34 | GND | Module Ground. | | 1 | | |
| 35 | Rx4+ | Receiver Data Non-Inverted. | CML-O | 3 | Output from Host | |

| | | | | | | |
|----|----------|--------------------------------|-------------|---|------------------|---|
| 36 | Rx4- | Receiver Data Inverted. | CML-O | 3 | Output from Host | |
| 37 | GND | Module Ground. | | 1 | | |
| 38 | Rx6+ | Receiver Data Non-Inverted. | CML-O | 3 | Output from Host | |
| 39 | Rx6- | Receiver Data Inverted. | CML-O | 3 | Output from Host | |
| 40 | GND | Module Ground. | | 1 | | |
| 41 | Rx8+ | Receiver Data Non-Inverted. | CML-O | 3 | Output from Host | |
| 42 | Rx8- | Receiver Data Inverted. | CML-O | 3 | Output from Host | |
| 43 | GND | Module Ground. | | 1 | | |
| 44 | INT/RSTn | Module Interrupt/Module Reset. | Multi-Level | 3 | Bi-Directional | 2 |
| 45 | Vcc | +3.3V Power. | | 2 | Power from Host | |
| 46 | Vcc | +3.3V Power. | | 2 | Power from Host | |
| 47 | SDA | 2-Wire Serial Interface Data. | LVC MOS-I/O | 3 | Bi-Directional | 1 |
| 48 | GND | Module Ground. | | 1 | | |
| 49 | Tx7- | Transmitter Data Inverted. | CML-I | 3 | Input from Host | |
| 50 | Tx7+ | Transmitter Data Non-Inverted. | CML-I | 3 | Input from Host | |
| 51 | GND | Module Ground. | | 1 | | |
| 52 | Tx5- | Transmitter Data Inverted. | CML-I | 3 | Input from Host | |
| 53 | Tx5+ | Transmitter Data Non-Inverted. | CML-I | 3 | Input from Host | |
| 54 | GND | Module Ground. | | 1 | | |
| 55 | Tx3- | Transmitter Data Inverted. | CML-I | 3 | Input from Host | |
| 56 | Tx3+ | Transmitter Data Non-Inverted. | CML-I | 3 | Input from Host | |
| 57 | GND | Module Ground. | | 1 | | |
| 58 | Tx1- | Transmitter Data Inverted. | CML-I | 3 | Input from Host | |
| 59 | Tx1+ | Transmitter Data Non-Inverted. | CML-I | 3 | Input from Host | |
| 60 | GND | Module Ground. | | 1 | | |

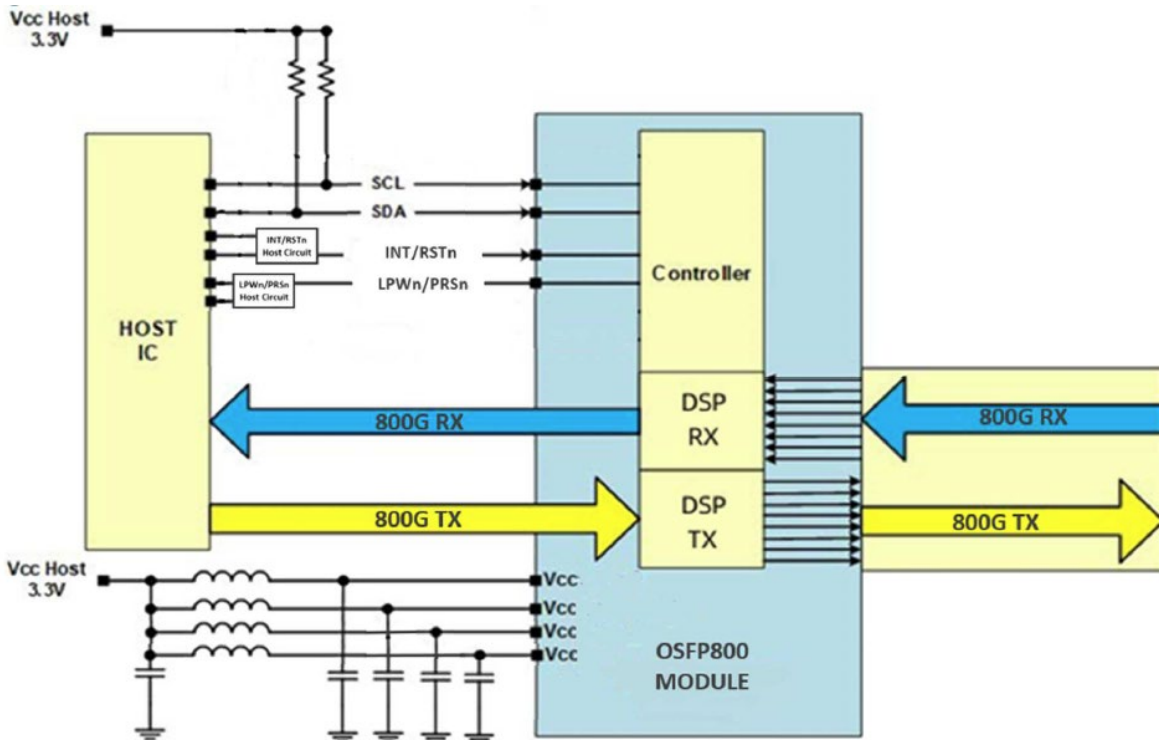
Notes:

1. Open-drain with pull-up resistor on the host.
2. See below for the required circuit.

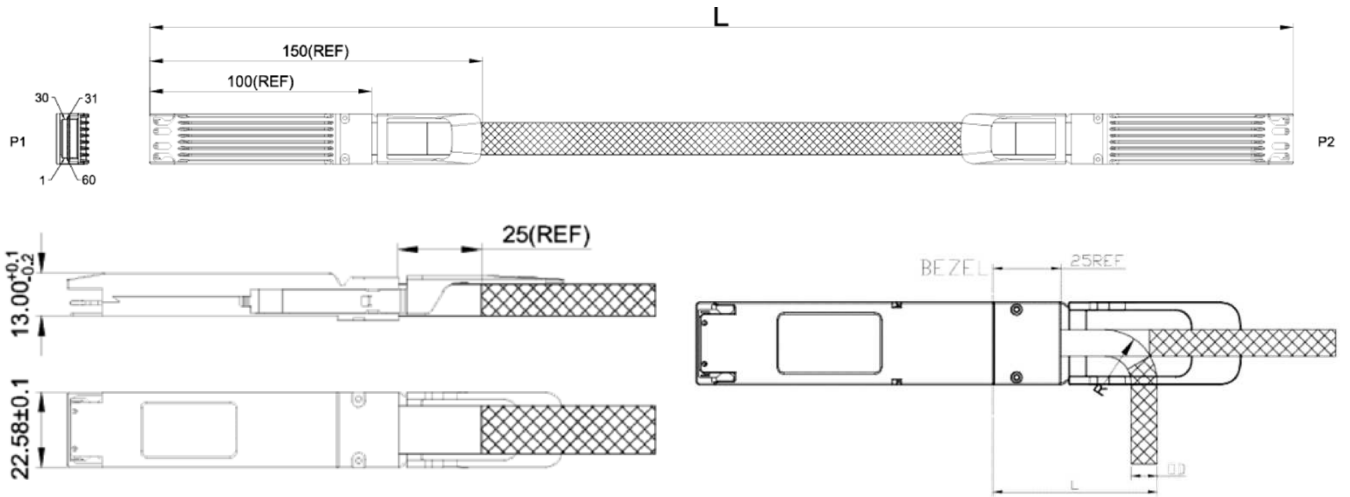
Electrical Pin-Out Details



Block Diagram



Mechanical Specifications



Bending Radius

| Wire Gauge | OD (Ref.) | Bend Radius "R" | Min. Bend Radius "L" |
|------------|-----------|-----------------|----------------------|
| 30AWG | 9.5mm | 19mm | 65mm |

About ProLabs

Our extensive experience comes as standard. For over 20 years ProLabs has delivered optical connectivity solutions that give our customers freedom and choice through our ability to provide seamless interoperability. At the heart of our company is the ability to provide state-of-the-art optical transport and connectivity solutions that are compatible with more than 100 optical switching and transport platforms.

A Complete Portfolio of Network Solutions

ProLabs is focused on innovations in optical transport and connectivity. The combination of our knowledge of optics and networking equipment enables ProLabs to be your single source for optical transport and connectivity solutions from 100Mb to 1.6T while providing innovative solutions that increase network efficiency. We provide the optical connectivity expertise that is compatible with and enhances your switching and transport equipment.

The Trusted Partner

Customer service is our number one value. ProLabs has invested in people, labs and manufacturing capacity to ensure compatible products, and immediate answers to your questions. With Engineering and Manufacturing offices in the U.K. and U.S. augmented by field offices throughout the U.S., U.K. and Asia, ProLabs is able to be our customers best advocate 24 hours a day.



Contact Information

ProLabs US

Email: sales@prolabs.com

Telephone: 952-852-0252

ProLabs UK

Email: salessupport@prolabs.com

Telephone: +44 1285 719 600