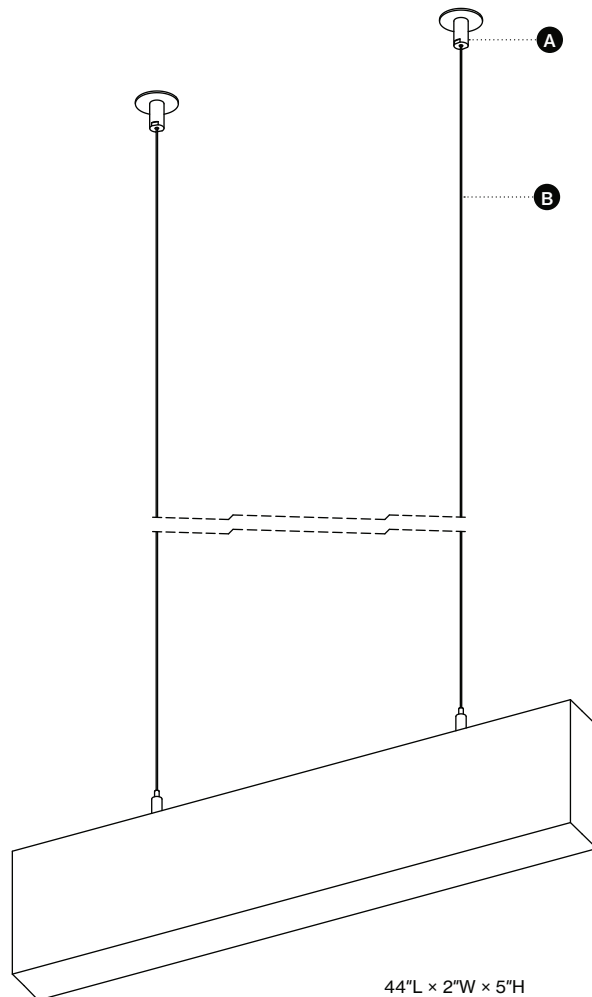


Cloudform Beam Overview

ILLUSTRATIONS ARE REPRESENTATIVE OF A TYPICAL CLOUDFORM BEAM INSTALLATION. SIZE, SHAPE, & DETAILS OF YOUR FIXTURE WILL VARY BASED ON YOUR PROJECT. REFER TO SHOP DRAWINGS FOR SPECIFIC INFORMATION ABOUT YOUR FIXTURE.



- A** CEILING CONNECTOR (x2)
- B** STAINLESS STEEL CABLE (x2)

44"L x 2"W x 5"H

Specifications

DESCRIPTION	TEMP / FIRE PERFORMANCE	HANDLING	CLEANING
<p>Cloudform Beams are horizontal, acoustical fiberglass beams designed to be suspended independently from cables/wires.</p> <p>Cloudform Beams are finished on all edges and surfaces (except for the top edge) with a DuraBrite® scrim or acoustically transparent membrane.</p> <p>Cloudform Beams are available in 10 different rectangular sizes. See data page for dimensions of each beam.</p> <p>There are multiple standard color options and wood-look visuals for the finished beams.</p>	<p>This product can be installed where the temperature is between 40°F (4°C) and 120°F (49°C). It cannot be used in exterior applications, where standing water is present, or where moisture can come in direct contact with the beam.</p> <p>Cloudform Beams may obstruct or skew the existing or planned fire sprinkler water distribution pattern or possibly delay the activation of the fire sprinkler or fire detection system. Designers and installers are advised to consult a fire protection engineer, NFPA 13, and follow their local codes for guidance on the proper installation techniques where fire detection or suppression systems are present.</p>	<p>Cloudform Beams must be stored in a dry interior location and must remain in the original cartons prior to installation to avoid damage and soiling. The cartons must be stored in a flat, horizontal position. The vertical beams should not be removed from the carton until the suspension system is installed. Proper care should be taken when handling Beams to avoid damage and soiling. White cotton or latex gloves are recommended for handling. It is recommended that two installers handle 94" Beams.</p> <p>NOTE: Beams in colors other than white are paper wrapped. To avoid fingerprints, do not remove paper wrapping until installation is complete.</p>	<p>Dust and loose dirt may be removed by brushing or with a vacuum cleaner. Vacuum cleaner brush attachments such as those designed for cleaning upholstery or walls do the best job. Be certain to clean in one direction only. This will prevent rubbing dust into the surface of the beam. Use a melamine eraser sponge to wipe off any dirt or greasy fingerprints. If this does not clean the beam, cover the spot with touch-up paint as described on the next page. Make sure to dab the touch-up paint onto the beam to match the existing texture rather than smearing or painting.</p> <p>For minor surface and edge scuffing, or scratches on colored Beams, use matching Sherwin-Williams® paint that can be purchased from your local Sherwin-Williams store.</p>

Design and Installation Considerations

Beam Layout

Cloudform Beams are available in a variety of lengths and shapes and are individually suspended using the Hanging Kit. Please note that beams require a minimum of 2" gap between ends of beams for best visual due to potential bowing up to 1/8".

Safety Considerations | Working with Fiberglass & Mineral Fiber Products

General Construction Site Safety Information: Precautions should be taken to ensure that handling and installation procedures are taken to minimize dust generation. It is recommended that the work site is well ventilated. If high dust levels are anticipated during installation, use an appropriate NIOSH designated dust respirator. Safety glasses and gloves are recommended during installation.

First Aid Measures: If contact occurs, flush eyes and/or skin with water for at least 15 minutes and remove contaminated clothing. Wash work clothes with warm water and mild soap.

Warranty

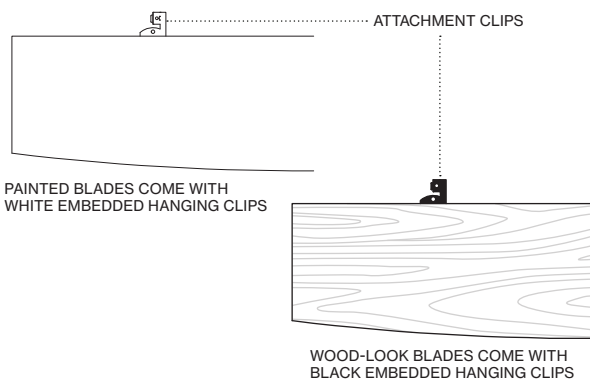
The Cloudform Beam system has been tested based on the installation method described in this document. Warranty will be voided if you do not follow these instructions and guidelines.

HVAC Design & Operation and Temperature & Humidity Control

Proper design for both air supply and return air, maintenance of the HVAC filters, and building interior space are essential to minimize soiling. Before starting the HVAC system, make sure the supply air is properly filtered and the building interior is free of construction dust. Cloudform Beams are for interior use only and cannot be used where standing water is present or where moisture will come in direct contact with the ceiling.

Directionality

The surface of Cloudform Beams is a non-directional, slightly textured surface. Cloudform Beams installed with the Hanging Kit can be installed in any direction, allowing for complete freedom in designs. See installation section on page 4 for further details. The embedded hanging clip in Cloudform Beams with a wood look finish is black. Embedded hanging clips for painted Beams are white.



Field Touch Up and Color Match

Beams should be removed from the suspension system prior to touch-up painting and be allowed to fully dry before returning. All paints are interior flat latex paints.

COLOR NAME	SHERWIN-WILLIAMS COLOR NUMBER
BLACK FOX	SW 7020
TONY TAUPE	SW 7038
DUSTBLU	SW 9161
OLYMPUS WHITE	SW 6253
ALMOND ROCA	SW 9105
BEIGE INTENSO	SW 9096
TRES NATURALE	SW 9101
TIGEREYE	SW 6362
SOFT APRICOT	SW 6352
INVENTIVE ORANGE	SW 6633
AVID APRICOT	SW 6639
CAYENNE	SW 6881
SOCKEYE	SW 6619
CHEERFUL	SW 6903
ICY LEMONADE	SW 1667
BROCCOFLOWER	SW 9039
SUPREME GREEN	SW 6442
POWDER BLUE	SW 2863
LITTLE BOY BLU	SW 9054
SHOJI WHITE	SW 7042
STUDIO CLAY	SW 9172
IVORY LACE	SW 7013
TRICORN BLACK	SW 6258

Sprinklers

Cloudform Beams may obstruct or skew the existing or planned fire sprinkler water distribution pattern or possibly delay the activation of the fire sprinkler or fire detection system. Designers and installers are advised to consult a fire protection engineer, NFPA 13, and follow their local codes for guidance on the proper installation techniques where fire detection or suppression systems are present.

Plenum

Cloudform Beams allow downward accessibility to the plenum. Beams can be unattached and re-attached. Beams are installed below the suspension system and do not need to travel above the suspension system during installation.

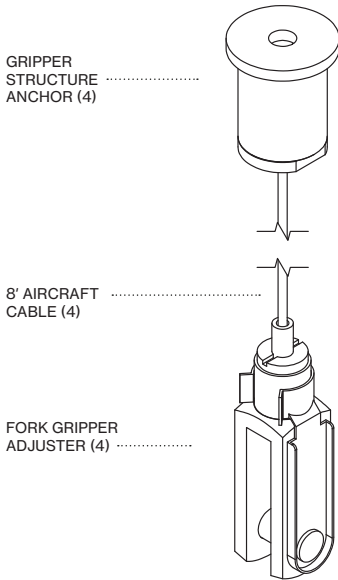
Approximate System Weight and Attachment to Deck

Overall system weight will be based on the weight of the Beams. Cloudform Beams have an approximate weight of 1.0LBS/SF. Based on your layout for the beams used, you will need to calculate LBS/SF for the installation method. See table on page 6 for weight per beam.

Suspension System

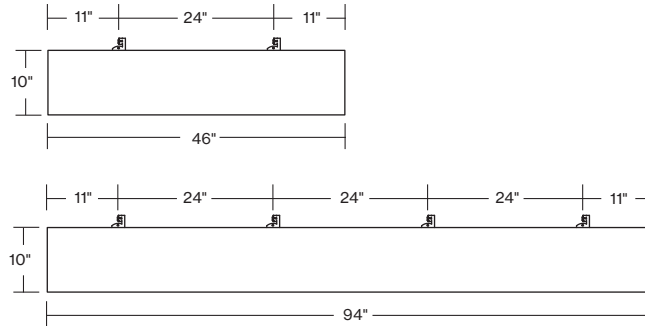
The installation hardware for Cloudform Beams are already included in the Beam.

Cloudform Beams can be independently suspended using aircraft cables and quick release, fork gripper adjusters. The Hanging Kit includes:



Suspension Spacing

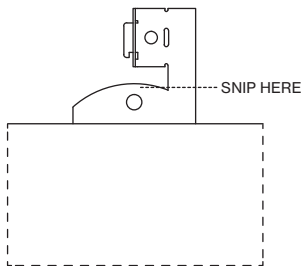
Each Beam has embedded attachment clips along the top of each beam. Spacing between clipS for 46" and 94" is shown below.



Cloudform Beams can be independently suspended using aircraft cables and quick release fork gripper adjusters.

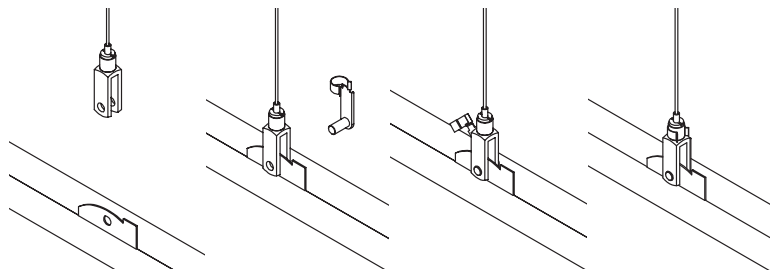
- Determine the location to hang the Beams
- Fasten the appropriate anchor to the structure that will interface with the gripper structure anchors.

Remove the unneeded portion of the clip with tin snips.



Independent Suspension with Hanging Kit

- 1 Attach the fork gripper and pin through the hole in the embedded attachment clip within the Beam.
- 2 Thread the aircraft cable through the fork gripper with cable extending beyond the gripper by at least 1".



- 3 Level the Beams to the finished height, carefully ensuring that the cable does not scratch or puncture the Beam, and trim the aircraft cable at the desired length once finished.
- 4 To release the cable and lower the Beams, take all weight off the fork gripper, push the release mechanism, and simply slide the cable out as needed.

NOTE: An 8' aircraft cable is included in the standard Deck Hanging Kit. If additional cable length is needed for high ceiling applications, order the Extended Hanging Cables Kit, which has (4) 30' aircraft cables per kit.

IMPORTANT SAFETY AND QUALITY NOTE: Do not allow any portion of wire or aircraft cable to drop below the top of a beam while adjusting final height. Doing so could cause damage to the edge of the beam.

Special Installation Considerations

Sloped Installations

The following rules apply to sloped installations for Cloudform Beams based on the installation method:

Independent Suspension with Hanging Kit:

Beams should not be sloped and are intended for the bottom edge to be on a horizontal plane.

MEP Integration

Mechanical fixtures such as lights, speakers, and sprinklers should be installed into the acoustical suspension system before installing the Cloudform Beams. Fixtures can be installed at the suspension system height or flush with the bottom of the beams. Fixture weight or housing must not be supported by the Beams.

Exterior Installations

Cloudform Beams cannot be installed in exterior installations.

Parts Overview

ITEM NAME	LBS PER BEAM WOOD-LOOKS	LBS PER BEAM COLORS
CLOUDFORM 2" UNLIT BAFFLE - 5" x 46"	2.9	2.2
CLOUDFORM 2" UNLIT BAFFLE - 5" x 94"	5.8	4.3
CLOUDFORM 2" UNLIT BAFFLE - 10" x 46"	5.1	3.6
CLOUDFORM 2" UNLIT BAFFLE - 10" x 94"	10.3	7.2
CLOUDFORM 2" UNLIT BAFFLE - 16" x 46"	7.8	5.4
CLOUDFORM 2" UNLIT BAFFLE - 16" x 94"	15.6	10.6
CLOUDFORM 2" UNLIT BAFFLE - 22" x 46"	10.5	7.2
CLOUDFORM 2" UNLIT BAFFLE - 22" x 94"	20.9	14.1
CLOUDFORM 2" UNLIT BAFFLE - 28" x 46"	13.1	8.9
CLOUDFORM 2" UNLIT BAFFLE - 28" x 94"	26.2	17.6
FOR INDIVIDUAL SUSPENSION		
4-POINT HANGING KIT	-	-
EXTENDED HANGING CABLES	-	-