



Specifications

<p>SHADES</p>	<p>Cloudform Beams are acoustical fixtures made from fiberglass and finished on all edges and surfaces. Cloudform Beams are made with 43-53% recycled content fiberglass housing over a metal chassis. Cloudform Beams are available with multiple standard color options and wood-look visuals for the finished Beams.</p>	<p>ELECTRICAL</p> <p>Emergency Battery—Emergency output: 10 watts for 90 minutes. Maximum Mounting height: 22ft. Compatible with Signify Bodine sinusoidal output emergency lighting inverters. Signify Bodine Inverters allow designated lighting fixtures to serve as code compliant emergency lighting sources during failure of normal AC power. For additional information see link: http://www.bodine.com/products/inverter.html</p>
<p>DESIGN CONSIDERATION</p>	<p>Cloudform Beams are available in rectangular shape, note that Beams require a minimum of 2" gap between ends of Beams for best visual due to potential bowing up to 1/8".</p>	<p>DRIVERS</p> <p>120-277V constant current, dimming driver standard. Can be wired dimming or non-dimming. 0-10V dimming input with a range of 1%-100%. Dim-to-Off standard. Driver can be accessed from the fixture. Power factor of >.95. Total Harmonic Distortion (THD) of <20%.</p>
<p>LUMEN MAINTAINANCE</p>	<p>Reported TM-21 Lifetimes L90: >52,600 hours L80: >102,000 hours L70: >102,000 hours</p>	<p style="border: 1px solid black; padding: 5px; text-align: center;">SPECIFICATION CONTINUED ON NEXT PAGE</p>
<p>DIFFUSION</p>	<p>Indirect Lighting: Diffuser with split diffusion optics creating a batwing optical distribution. Provides uniform distribution of light with a reduction in center beam intensity. Direct Lighting: Micro-structure diffusion materials providing glare control and even illumination.</p>	
<p>LIGHTING</p>	<p>Integrated LED light source offering high lumen output and efficacy. Color consistency of 3 SDCM. See additional information summarizing lumen distribution, wattage, and efficacy on following pages.</p>	



SPECIFICATION CONTINUED

CERTIFICATION	Luminaire is CSA listed conforming to UL Standard 1598 in the US and CAN/CSA C22.2 No.250.0 in Canada. In accordance with NEC Code 410.73 (G), this luminaire contains an internal driver disconnect. All electronic components are RoHS compliant, and the mechanical components of the luminaire have been verified to meet RoHS Directive 2002/95/EC UL listed.
STORAGE AND HANDLING	Cloudform Beams must be stored in a dry interior location and must remain in their original cartons prior to installation to avoid damage. The cartons must be stored in a flat, horizontal position. Proper care should be taken when handling Beams to avoid damage and soiling. White cotton or latex gloves are recommended for handling. It is recommended that two installers handle 94" beams.
TEMPERATURE	Cloudform Beams can be installed where the temperature is between 40°F (4°C) and 120°F (49°C). Beams cannot be used in exterior applications, where standing water is present, or where moisture will come in direct contact with the Beams.
FIRE PERFORMANCE	Cloudform Beam fiberglass has a Class A fire rating. The Beams, as with other architectural features located in the ceiling plane, may obstruct or skew the existing or planned fire sprinkler water distribution pattern, or possibly delay the activation of the fire sprinkler or fire detection system. Designers and installers are advised to consult a fire protection engineer, NFPA 13, and their local codes for guidance on the proper installation techniques where fire detection or suppression systems are present.
WARRANTY	5 year warranty on all standard components.
CLEANING CARE	Dust and loose dirt may be easily removed by brushing or with a vacuum cleaner. Vacuum cleaner brush attachments such as those designed for cleaning upholstery or walls do the best job. Be certain to clean in one direction only. This will prevent rubbing dust into the surface of the Beams. Use a melanine eraser sponge to wipe off any dirt or greasy fingerprints. For minor surface and edge scuffing, or scratches on colored panels, use matching Sherwin-Williams® paint that can be purchased from your local Sherwin-Williams® store.



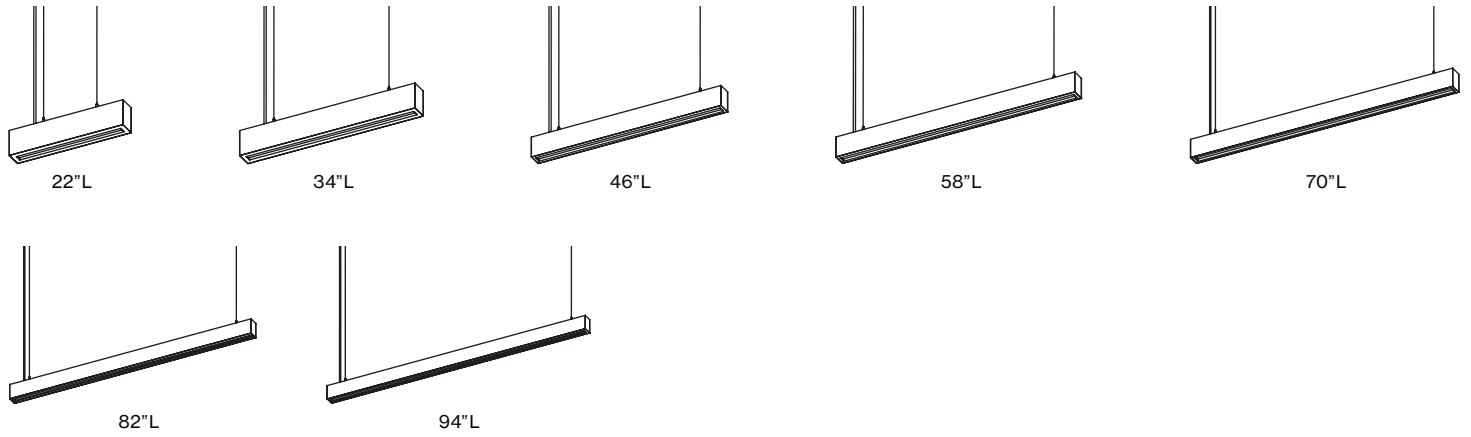
Cloudform Beam Lit

Fixture Options

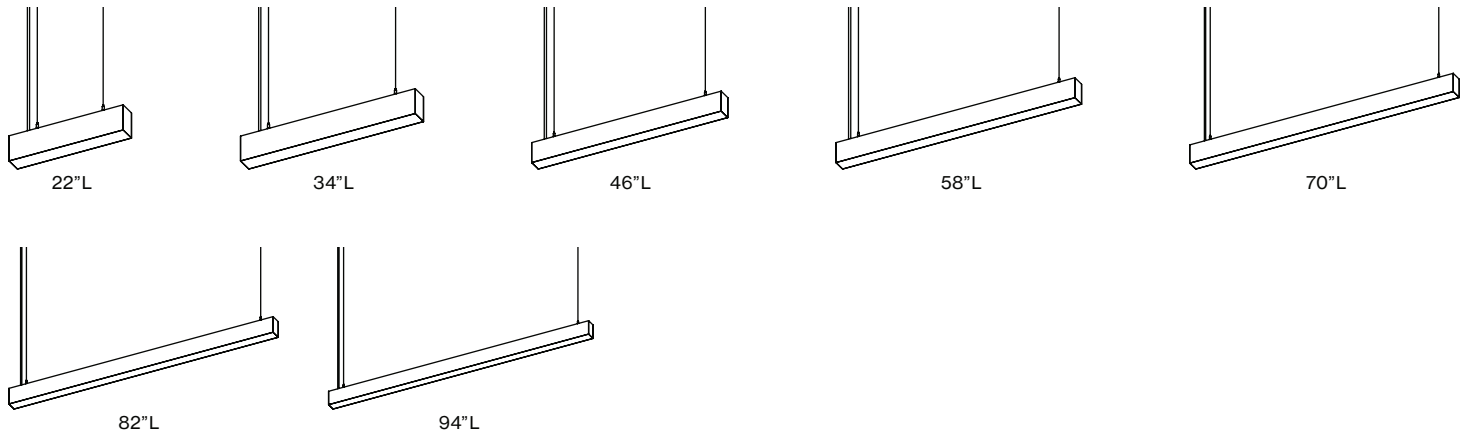
CLOUDFORM COLLECTION

DIMENSIONS

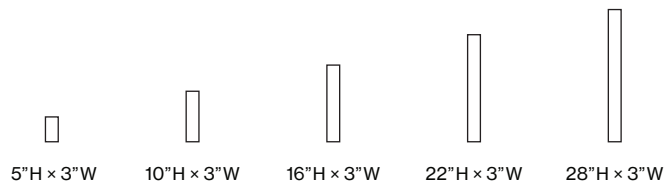
DIRECT LIGHTING LENGTHS



INDIRECT LIGHTING LENGTHS

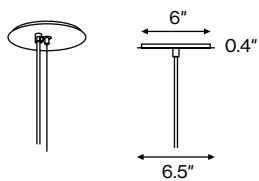


HEIGHTS & WIDTHS

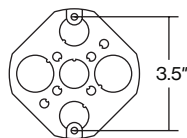


CEILING CONNECTIONS

ULTRA SHALLOW CANOPY



4" OCTAGONAL JUNCTION BOX (BY OTHERS)



Required for powered units;
optional for unlit units

CANOPY/DRESS PLATE FINISH OPTIONS



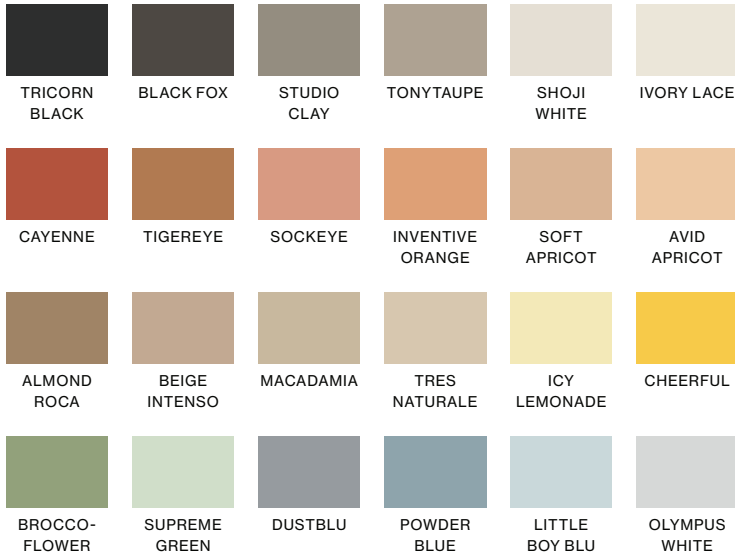
Cloudform Beam Lit

Fixture Options

CLOUDFORM COLLECTION

COLOR OPTIONS

PAINT COLOR OPTIONS



WOOD PRINT OPTIONS



PAINT TOUCH UP AND COLOR MATCH

Beams should be removed from the suspension system prior to touch-up painting and be allowed to fully dry before being returned. All paints are interior flat latex paints

COLOR NAME	SHERWIN-WILLIAMS COLOR NUMBER
BLACK FOX	SW 7020
TONY TAUPE	SW 7038
DUSTBLU	SW 9161
OLYMPUS WHITE	SW 6253
ALMOND ROCA	SW 9105
BEIGE INTENSO	SW 9096
TRES NATURALE	SW 9101
TIGEREYE	SW 6362
SOFT APRICOT	SW 6352
INVENTIVE ORANGE	SW 6633
AVID APRICOT	SW 6639
CAYENNE	SW 6881

COLOR NAME	SHERWIN-WILLIAMS COLOR NUMBER
SOCKEYE	SW 6619
CHEERFUL	SW 6903
ICY LEMONADE	SW 1667
BROCCOFLOWER	SW 9039
SUPREME GREEN	SW 6442
POWDER BLUE	SW 2863
LITTLE BOY BLU	SW 9054
SHOJI WHITE	SW 7042
STUDIO CLAY	SW 9172
IVORY LACE	SW 7013
TRICORN BLACK	SW 6258



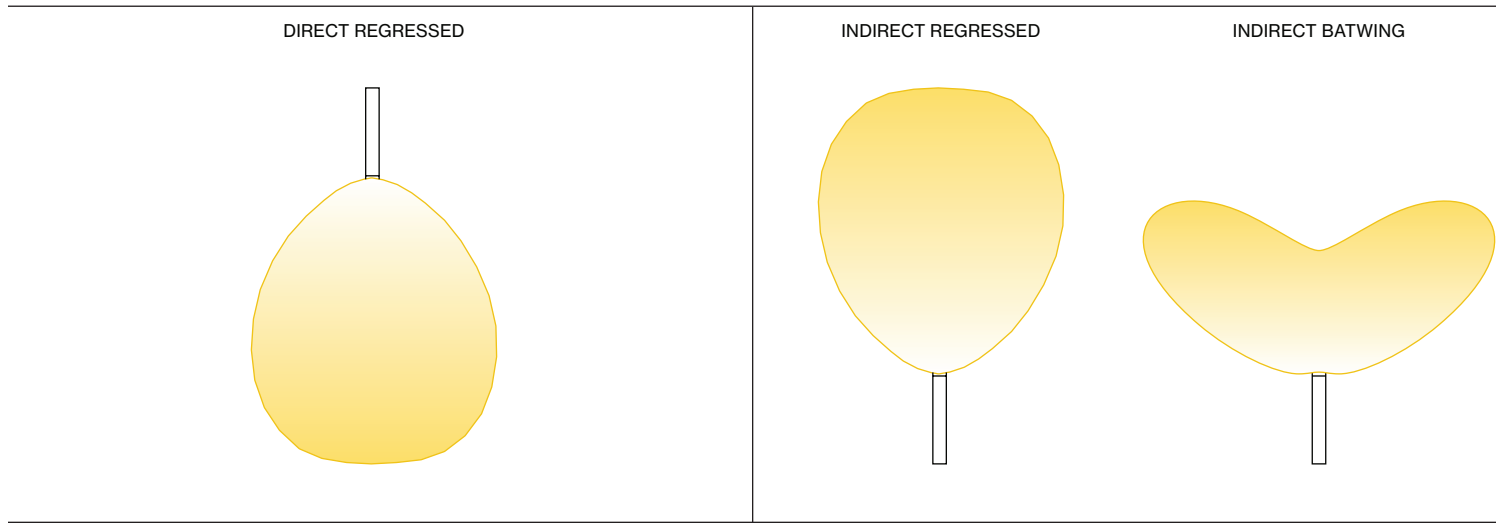
Cloudform Beam Lit

Lighting Details

CLOUDFORM COLLECTION

LIGHT DISTRIBUTION OPTIONS

Consult factory or lightart.com for IES files, tested in accordance with IESNA LM79



PERFORMANCE – DIRECT LUMINARE

Based on 3500K / 90CRI / Standard Distribution

NOMINAL LUMEN OUTPUT (LM/FT)	INPUT POWER (W/FT)	EFFICACY (LM/W)
350	2.8	123
450	3.7	121
550	4.6	119
650	5.5	118
750	6.4	117
850	7.3	116
950	8.3	115
1050	9.2	114

PERFORMANCE – INDIRECT LUMINARE

Based on 3500K / 90CRI / Standard Distribution

NOMINAL LUMEN OUTPUT (LM/FT)	INPUT POWER (W/FT)	EFFICACY (LM/W)
350	2.7	129
450	3.6	126
550	4.4	124
650	5.3	123
750	6.1	122
850	7.0	121
950	7.9	120
1050	8.8	120

LIGHT DISTRIBUTION

Based on measurement data

COLOR TEMPERATURE / CRI	MULTIPLIER
2700K / 90	0.98
3000K / 90	1.00
3500K / 90	1.00
4000K / 90	1.03

OUTPUT MULTIPLIERS INSTRUCTIONS

Adjusted Value = $L_1 \times C_m$ where:

$L_1 = (\text{Lumen output at 3500K / 90 CRI}) \times$

$C_m = (\text{Color Temp. / CRI Multiplier}) \times$

Example:

850LM / 2700K / 90CRI

$(850) \times (0.98) = 833LM$



Cloudform Beam Lit

Acoustic Details

CLOUDFORM COLLECTION

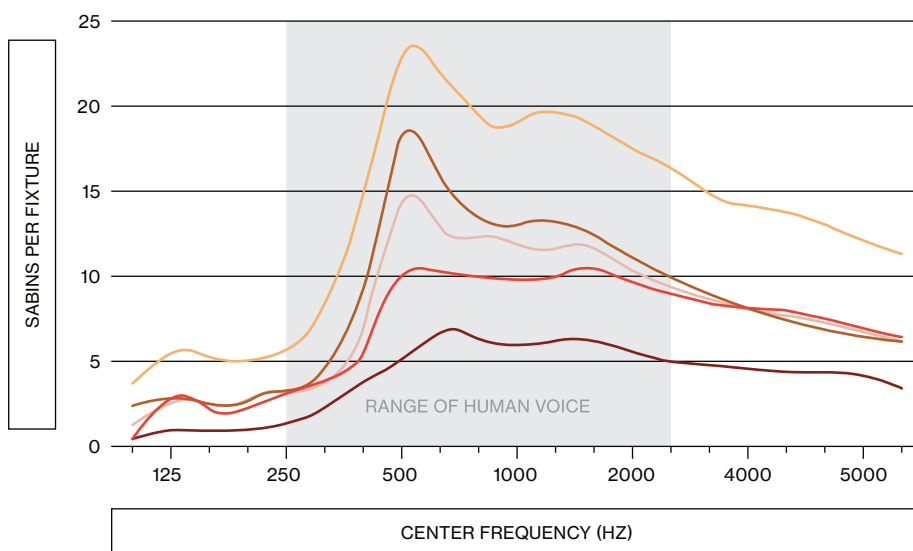
ESTIMATED SABINS PER FIXTURE *Equivalent square feet of perfect absorption*

CENTER FREQUENCY (HZ)	94L X 5H 24" SPACING	94L X 10H 24" SPACING	94L X 16H 24" SPACING	94L X 22H 24" SPACING	94L X 28H 24" SPACING
100	0.47	0.47	1.27	2.37	3.8
125	1.05	2.94	2.73	2.94	5.68
160	0.87	1.92	2.45	2.45	5.07
200	1.14	2.78	3.27	3.11	5.39
250	1.98	3.79	3.46	3.95	7.24
315	3.62	5.1	6.41	8.38	13.64
400	5.27	10.21	14.49	18.44	23.22
500	6.9	10.1	12.51	15.08	21.33
630	6.06	9.98	12.28	13.09	18.82
800	6.12	9.75	11.57	13.23	19.67
1000	6.28	10.58	11.9	12.73	19.18
1250	5.59	9.7	10.35	11.18	17.58
1600	5.05	8.99	9.3	9.78	16.24
2000	4.79	8.35	8.5	8.81	14.53
2500	4.41	8.17	7.84	7.84	14.05
3150	4.36	7.72	7.55	7.05	13.42
4000	4.26	6.99	6.82	6.48	12.27
5000	3.39	6.44	6.1	6.1	11.35
AVG OF 250, 500, 1000, 2000 HZ	4.99	8.21	9.09	10.14	15.55

The NRC of Beams ranges from 0.75 to 1.00, depending on the size and configuration tested.

Absorption

- 94L X 5H 24" SPACING
- 94L X 10H 24" SPACING
- 94L X 16H 24" SPACING
- 94L X 22H 24" SPACING
- 94L X 28H 24" SPACING



Cloudform Beam Lit

Part Number Specification

CLOUDFORM COLLECTION

SPECIFICATION CODE

Example: 2 QTY CLF-BEAM-LIT-58L-22H-IVL-STD-IRL-927CK-550LM-P01-JB-WPC-WH

QTY. CLF-BEAM-LIT- - - - - - - - - - - -

1
2
3
4
5
6
7
8
9
10
11

Complete form to order Cloudform Beam Lit fixture(s). For each number, make one selection and enter in the corresponding box above.
 *Indicates modified choices; additional lead times, cost, and limited lumen outputs may apply.

1 LENGTH

- 22L 22" LENGTH
22"L with IRL and IBW distribution not available with 350LM and 450LM outputs
- 34L 34" LENGTH
- 46L 46" LENGTH
- 58L 58" LENGTH
- 70L 70" LENGTH
- 82L 82" LENGTH
- 94L 94" LENGTH

2 HEIGHT

- 5H 5" HEIGHT
- 10H 10" HEIGHT
- 16H 16" HEIGHT
- 22H 22" HEIGHT
- 28H 28" HEIGHT

3 COLORS

PAINT COLOR OPTIONS

- TRB TRICORN BLACK
- BLF BLACK FOX
- STC STUDIO CLAY
- TOT TONY TAUPE
- SHW SHOJI WHITE
- IVL IVORY LACE
- SOC SOCKEYE
- TIE TIGEREYE
- CAY CAYENNE
- INO INVENTIVE ORANGE
- SOA SOFT APRICOT
- AVA AVID APRICOT

- ALR ALMOND ROCA
- BEI BEIGE INTENSO
- MAC MACADAMIA
- TRN TRES NATURALE
- ICL ICY LEMONADE
- CHE CHEERFUL
- BRO BROCCOFLOWER
- SUG SUPREME GREEN
- DUB DUSTBLU
- POB POWDER BLUE
- LBB LITTLE BOY BLU
- OLW OLYMPUS WHITE

WOOD PRINT OPTIONS

- EBS BROWN SUGAR WALNUT
- WTC TOFFEE CHESTNUT
- WVA VANILLA ASH
- HNO HONEY OAT
- WMW DARK MOCHA WALNUT
- WGT EARL GREY TEAK
- BCH BOURBON CHERRY

4 SUSPENSION

- STD 12" - 96"
- EXT 12" - 120"

5 FIXTURE DISTRIBUTION

- DRL DIRECT REGRESSED LIGHT
- IRL INDIRECT REGRESSED LIGHT
22"L with IRL distribution not available with 350LM and 450LM outputs
- IBW INDIRECT BATWING
22"L with IBW distribution not available with 350LM and 450LM outputs

CONTINUE TO NEXT PAGE TO COMPLETE SPECIFICATION



Cloudform Beam Lit

Part Number Specification

CLOUDFORM COLLECTION

CONTINUE SPECIFICATION

6 LED CRI / CCT

- 927CK 90 CRI / 2700K
- 930CK 90 CRI / 3000K
- 935CK 90 CRI / 3500K
- 940CK 90 CRI / 4000K
- TW TUNABLE WHITE
Available with DALI option only

7 OUTPUT

- 350LM 350 LM/FT
- 450LM 450 LM/FT
94L Max Tunable White
- 550LM 550 LM/FT
82L Max Tunable White
- 650LM 650 LM/FT
70L Max Tunable White

- 750LM 750 LM/FT
58L Max Tunable White
- 850LM 850 LM/FT
- 950LM 950 LM/FT
46L Max Tunable White
- 1050LM 1050 LM/FT

8 DIMMING AND CONTROLS

- P01 0-10V 1% DIMMING
- LEC* HI-LUME 1% ECOSYSTEM LED DRIVER SOFT ON, FADE TO BLACK (LDE1 SERIES)
- EBM 0-10V 1% DIMMING INTEGRATED EM BATTERY OPTION
Available for 46L - 94L only
- DALI DALI CONTROL
Available with TW option only

9 CANOPY MOUNTING

- JB JUNCTION BOX FEED/SUPPORT
- OS OFFSET JUNCTION BOX

10 CANOPY

- WPC WHITE
- BPC BLACK

11 POWER CORD

- WH WHITE
- BK BLACK

*Indicates modified choices; additional lead times, cost, and limited lumen outputs may apply.

 align Declare



 MADE IN USA
WITH GLOBAL AND
DOMESTIC PRODUCTS