



# Armstrong® Integrated Lighting

for WoodWorks® Ceiling Panels



Integrated  
Lighting

Armstrong®  
World Industries

LightArt

# WoodWorks® Linear

Create bold, directional ceiling designs with integrated lighting tailored for WoodWorks® Linear Veneered Open system. Continuous lines of light emphasize the linear geometry of the ceiling while providing consistent, high-quality illumination below.



*WoodWorks® Linear Open Ceiling Panels with  
5.25" integrated lighting in White Ash finish*

# WoodWorks® Grille

Elevate the ceiling plane with fully integrated linear lighting designed specifically for select WoodWorks® Grille systems. This solution unifies architecture and illumination, delivering clean lines of light that align seamlessly with wood slats for a refined, continuous aesthetic.



*WoodWorks® Grille Forté Solid Ceiling Panels with 1.50" integrated lighting in Rich Mahogany finish*

# An Integrated System

Designed to work as a complete solution, lighting and ceiling panels install together with a coordinated clip-in system that simplifies specification and installation. Factory-aligned components ensure no modifications, with consistent spacing, clean transitions and reliable performance.



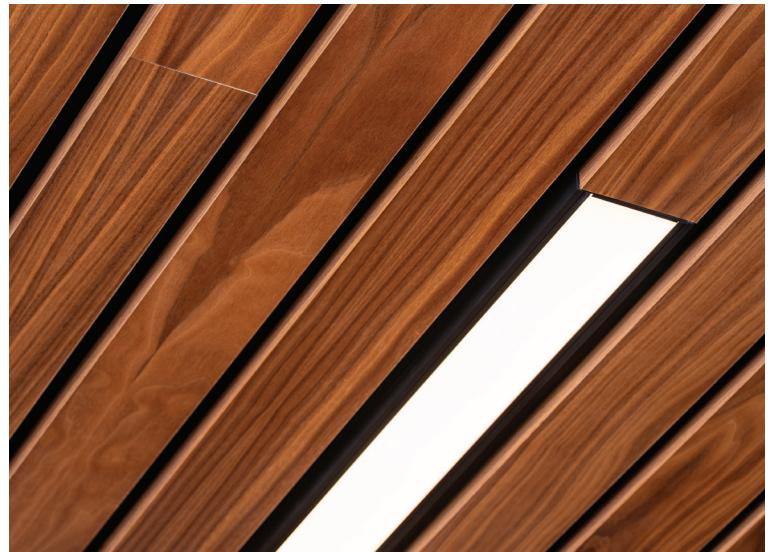
WoodWorks® Grille Forté

## Configuration Examples

Specify lighting across a range of widths, placements, and ceiling systems to create unique visual expressions.

- Continuous runs that extend across panel joints
- Seamless transitions through ceiling planes
- Slat replacement or between-slat light positioning (Grille systems)

Designed for flexibility, the system supports long, uninterrupted runs — allowing light to define space without being constrained by panel dimensions.



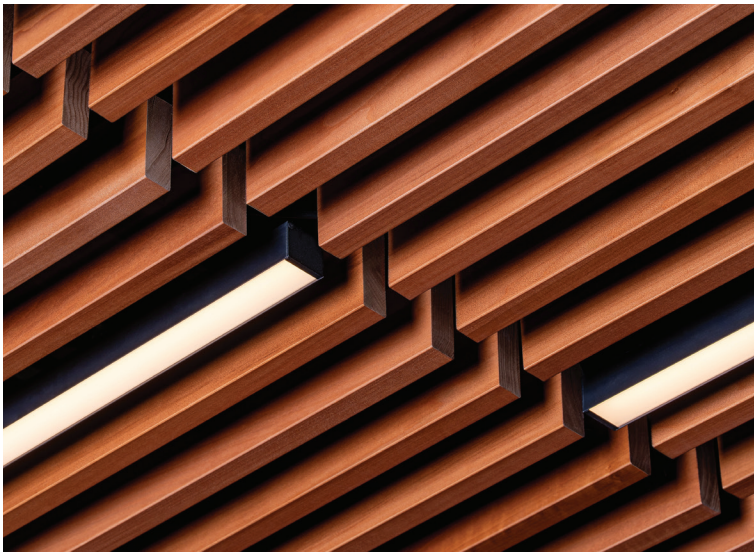
WoodWorks® Linear Veneered Open Ceiling Panels with 3.75" integrated lighting

## Lighting & Performance

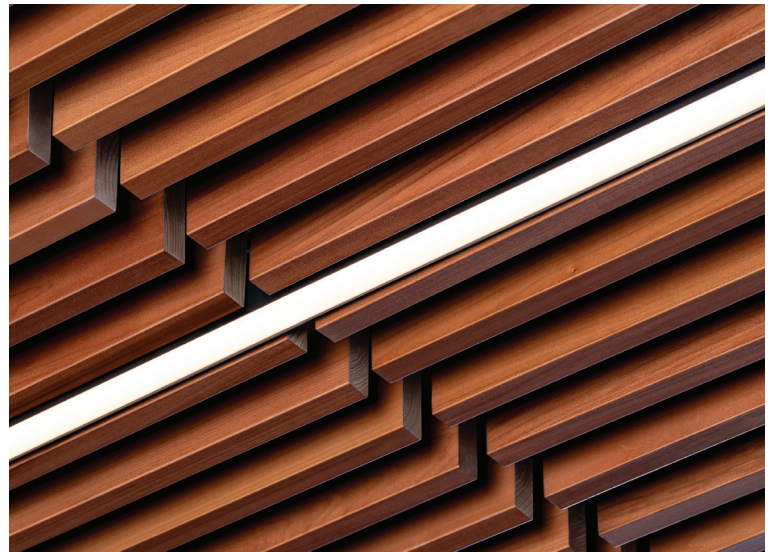
Our high-fidelity LED technology delivers stunning 90 CRI color accuracy with tight chromaticity control and the efficiency you expect from 80 CRI boards, giving lighting designers greater control over how materials, textures, and brand colors appear in real-world environments.



WoodWorks® Grille Forté



WoodWorks® Grille Forté Solid Ceiling Panels with 1.50" integrated lighting; slat replacement



WoodWorks® Grille Forté Solid Ceiling Panels with 1.50" integrated lighting; between-slat and continued run across panel joint

# Specifications

## Lighting

Solid state LED system 120v–277v input 2700k, 3000k, 3500k, 4000k options, 90 CRI light source options.

## Dimming

0–10v

## Mounting

Integrates into the WoodWorks® Grille Forté Veneered, WoodWorks® Grille Forté Solid, WoodWorks® Grille Classics ceiling panels, and WoodWorks® Linear Veneered Open ceiling planks

## Certification

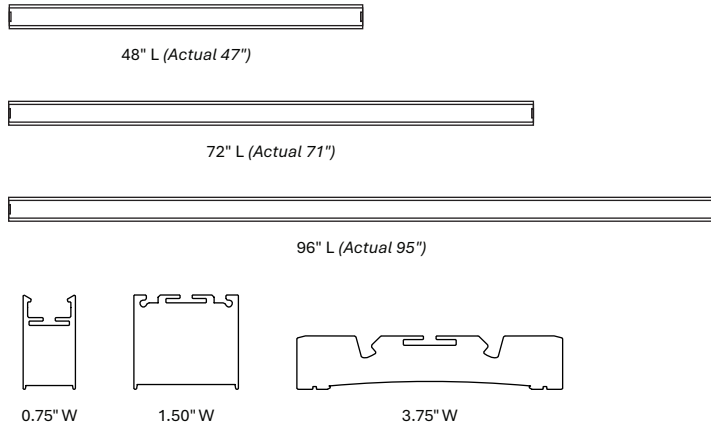
CSA approved to UL Standards  
 Declare label certified  
 Living Building Challenge compliant  
 Damp rated

## Warranty

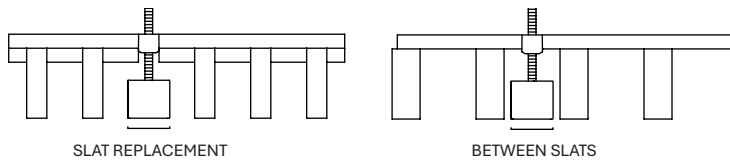
5 year warranty when used as a complete system with WoodWorks® Grille Forté Veneered, WoodWorks® Grille Forté Solid, WoodWorks® Grille Classics ceiling panels, and WoodWorks® Linear Veneered Open ceiling planks

## WoodWorks® Grille

### Lengths & Widths

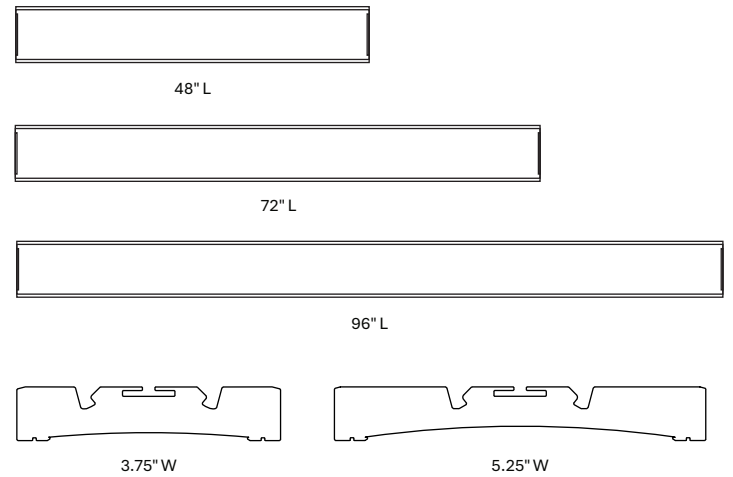


### Light Placement



## WoodWorks® Linear

### Lengths & Widths



### Light Placement

