

DAHLIA CLOUD

COLLECTION

SPECIFICATIONS



Dahlia Cloud in Translucent Suede Varia

DAHLIA CLOUD

As shown

STANDARD DIMENSIONS

Custom options available

24" L x 54" W x 12" H

MATERIALS

*1/8" 3form Varia EcoResin
Translucent Suede Varia diffuser*

LIGHTING

Solid State LED System

120v-277v input;
0-10v dimming compatible

3000k
81 CRI light source

HARDWARE

5" Dia. canopy and dress plate mounts to
standard junction box (provided by others)

3/64" stainless steel cables to ceiling

Adjustable 24"-96" suspension

White power cord to canopy

STANDARDS

4-6 week lead time

UL Compliant Parts

250+ 3form material options

5 year limited warranty

Contact for custom material pricing

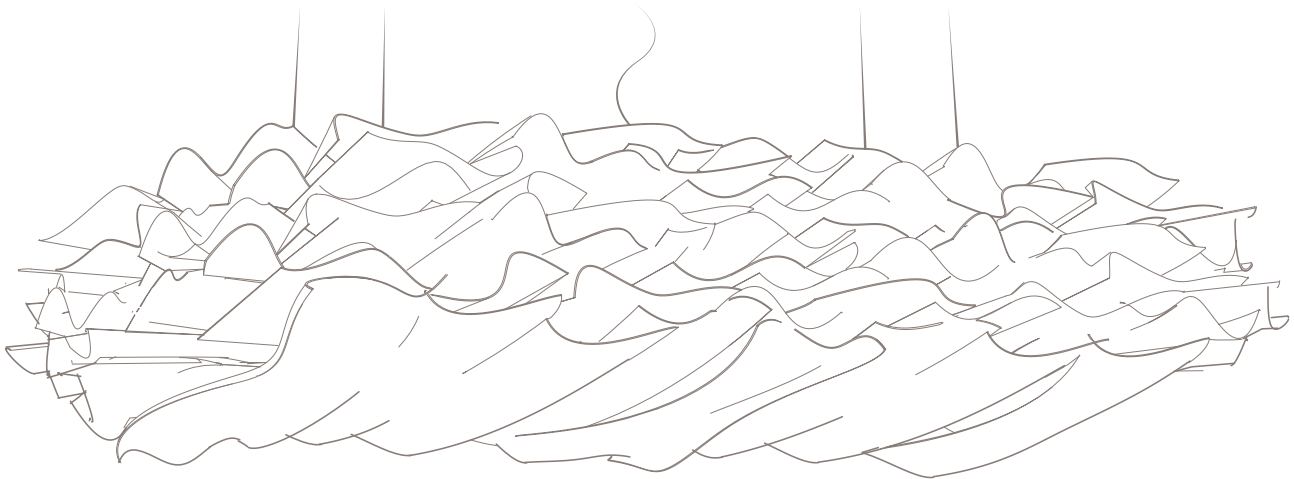


4770 OHIO AVE SOUTH, SUITE A
SEATTLE, WA 98134
lightart.com

DAHLIA CLOUD

COLLECTION

SPECIFICATIONS



24"L x 54"W x 12"H

STOCK SHADE MATERIALS

3form Varia Ecoresin / 4-6 week lead time



Linea Ivory + Noir Linea Ivory + Khaki Linea Ivory White Linen White Translucent Suede

*Materials shown lit (left) and unlit (right)

*Lead times subject to change

MATERIAL OPTIONS

Hundreds of colors available!

Contact us for samples and more information.

CANOPY & DRESS PLATE FINISH OPTIONS

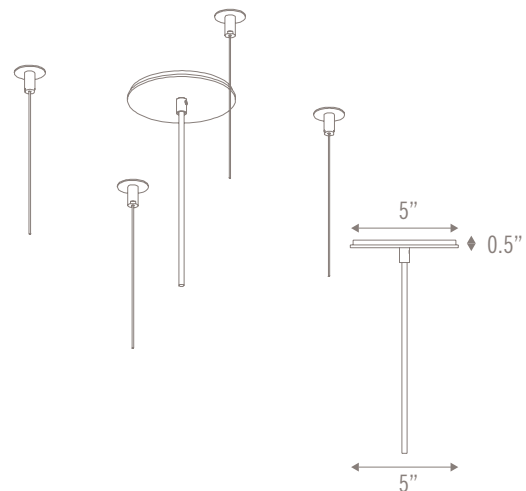
White Canopy & White Dress Plate standard



BY REQUEST

CEILING HARDWARE

Cables to Ceiling



LightArt
HANDMADE IN SEATTLE

4770 OHIO AVE SOUTH, SUITE A
SEATTLE, WA 98134
lightart.com