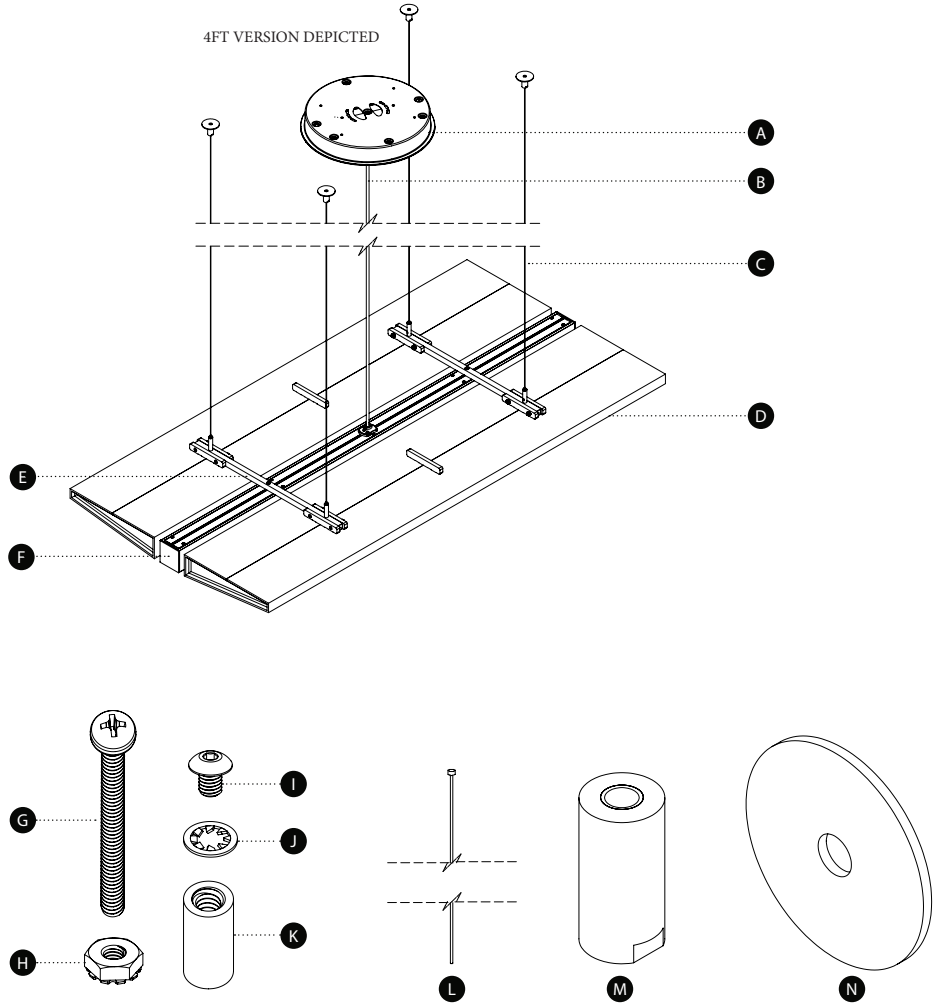


ILLUSTRATIONS ARE REPRESENTATIVE OF A TYPICAL WING INSTALLATION. SIZE, SHAPE, & DETAILS OF YOUR FIXTURE WILL VARY BASED ON YOUR PROJECT. REFER TO SHOP DRAWINGS FOR SPECIFIC INFORMATION ABOUT YOUR FIXTURE.

- A** CANOPY (x1)
- B** POWER CORD (x1)
- C** STAINLESS STEEL CABLE (x4)
- D** WING PANNEL (2X)
- E** HANGER BAR (X2) (*X3 FOR 6FT VERSION)
- F** CASPER BEAM (X1)
- G** 1.5" FELT CONNECTING BOLT (X4) (*X6 FOR 6FT VERSION)
- H** FELT CONNECTING NUT (X4) (*X6 FOR 6FT VERSION)
- I** HANGER BAR 8-32 SCREW (X2) (*X3 FOR 6FT VERSION)
- J** INTERNAL LOCK WASHER (X2) (*X3 FOR 6FT VERSION)
- K** SMOOTH BARREL SLEVE (X2) (*X3 FOR 6FT VERSION)
- L** STAINLESS STEEL SUSPENSION CABLE (4X)
- M** 1/4-20 THREADED CIELING COUPLER (4X)
- N** ESCUTCHEON PLATE

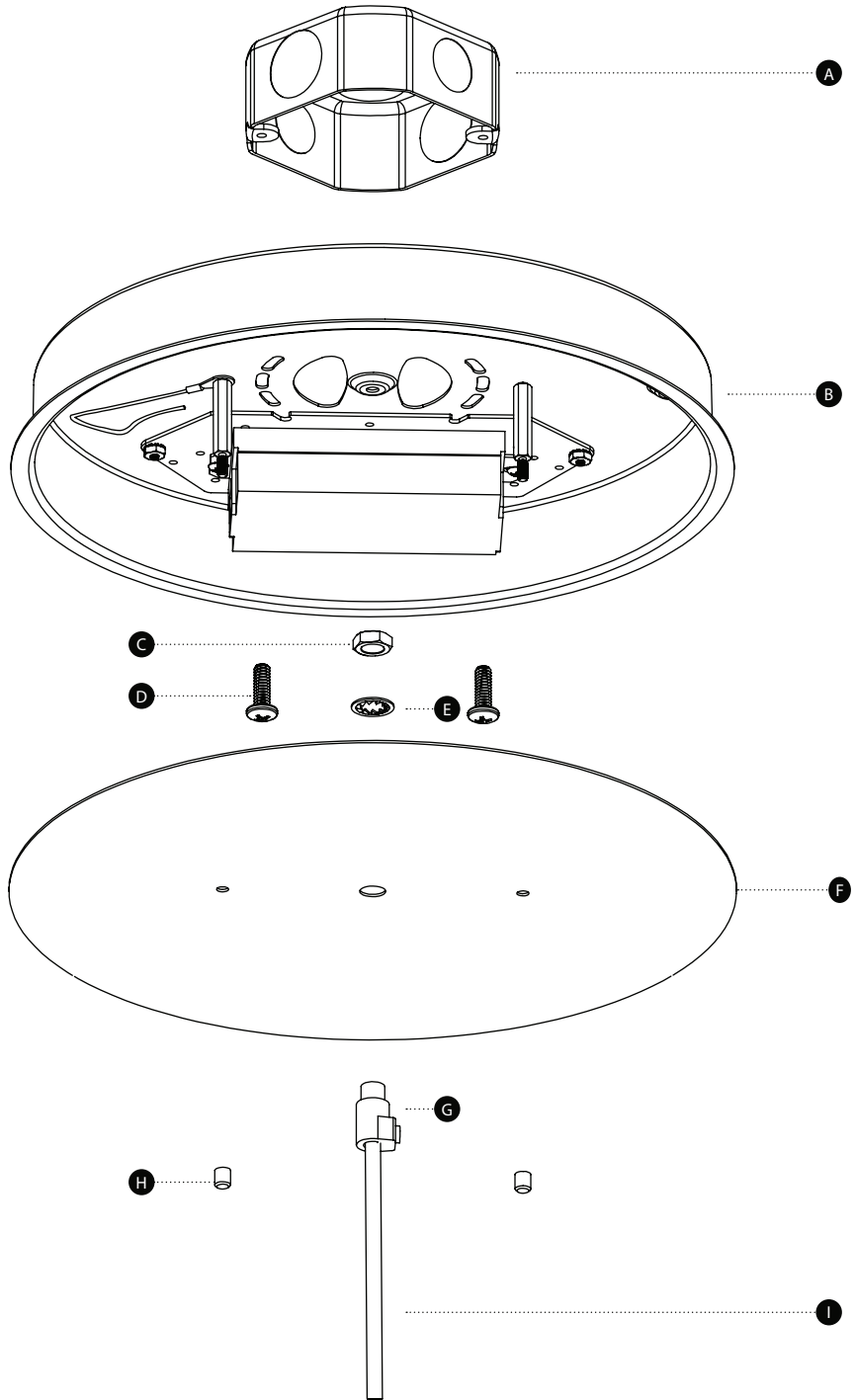


4FT: 48 L x 24 W x 2.25 H -- 2 LBS
 6FT: 72 L x 24 W x 2.25 H -- 2 LBS
 8FT: 96 L x 47.18 W x 4.00 H -- 2 LBS

Specifications

<p>SHIPPING / RECEIVING</p> <p>Fixtures boxed & shipped individually or for large quantities, on 4' x 4' or 4' x 8' pallets</p> <p>Customer responsible for receiving & unloading of fixtures</p> <p>Pallet jack / forklift strongly recommended (palletized orders only)</p> <p>Fixtures must be stored indoors in a climate controlled location prior to installation</p>	<p>SHIPPING / RECEIVING</p> <p>(2-3) People required for safe & efficient installation</p> <p>(2) Ladders or scissors lifts</p> <p>All necessary tools needed for proper wiring of fixture to supply circuits</p>	<p>HANDLING</p> <p>Fixtures should remain boxed for protection until needed for installation</p> <p>Fixtures are constructed of durable Acrylic, and Felt but must be handled with care</p> <p>Large fixture components should be handled by a minimum of 2 people</p> <p>Do not allow fixture components to rest on unpadded surfaces</p>	<p>CLEANING</p> <p>Use vacuum or soft brush to clean surfaces. Do not use strong solvents, highly alkaline or abrasive cleaning agents</p>
--	--	---	---

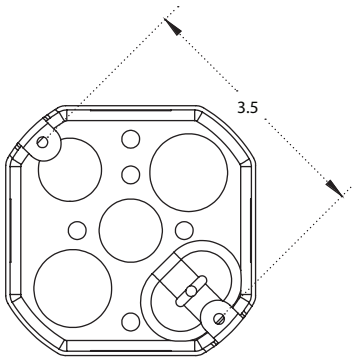
Parts Overview



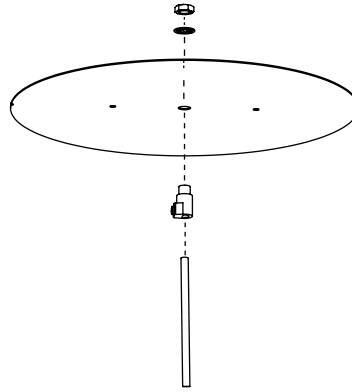
- A** JUNCTION BOX (×1) by others
- B** CANOPY (×1)
- C** NUT (STRAIN RELIEF) (×1)
- D** SCREWS (JUNCTION BOX) (×2) by others
- E** LOCK WASHER (STRAIN RELIEF) (×1)
- F** DRESS PLATE (×1)
- G** STRAIN RELIEF (×1)
- H** DECORATIVE CAP (×2)
- I** POWER CORD (×1)

Step-by-step

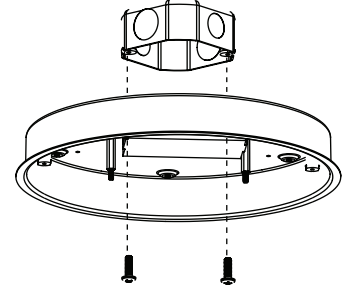
- ① Install junction box. Refer to project-specific shop drawings provided by LightArt for exact locations.



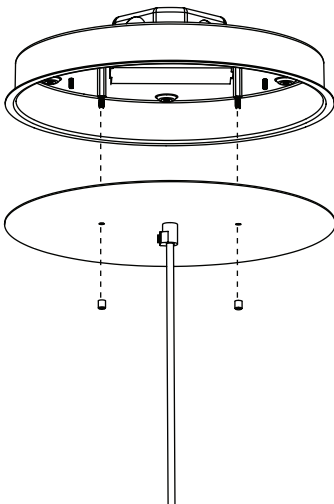
- ② Wiring: See wiring instructions and diagrams on page 12 for additional details.



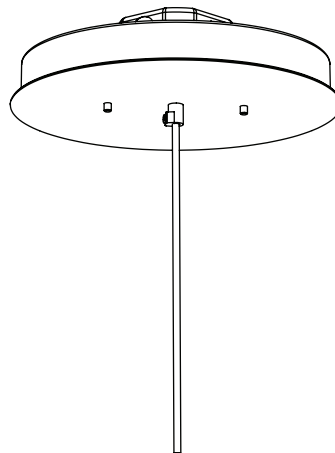
- ③ Push the connections and all excess wires into junction box. Secure canopy to junction box using fasteners (by others).



- ④ Install dress plate with decorative caps.



- ⑤ Continue screwing knurled nut until dress plate is firmly secured. Remove cord slack and tighten strain relief.

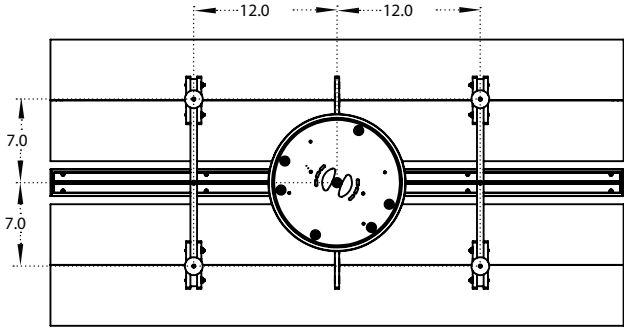


*Fixture weight should not be supported by cord.

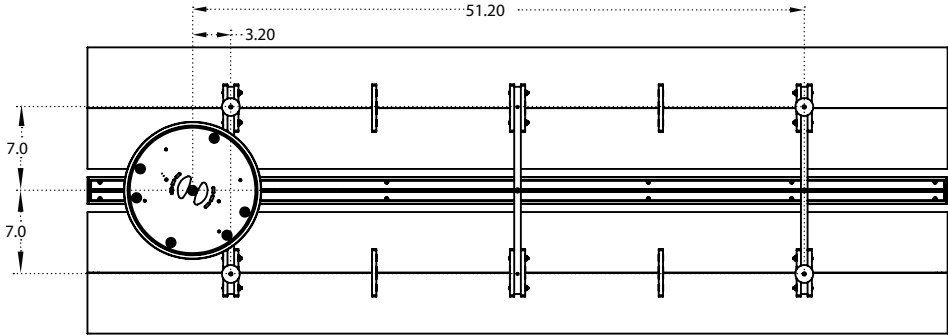
Acoustic

Pick Point Layout

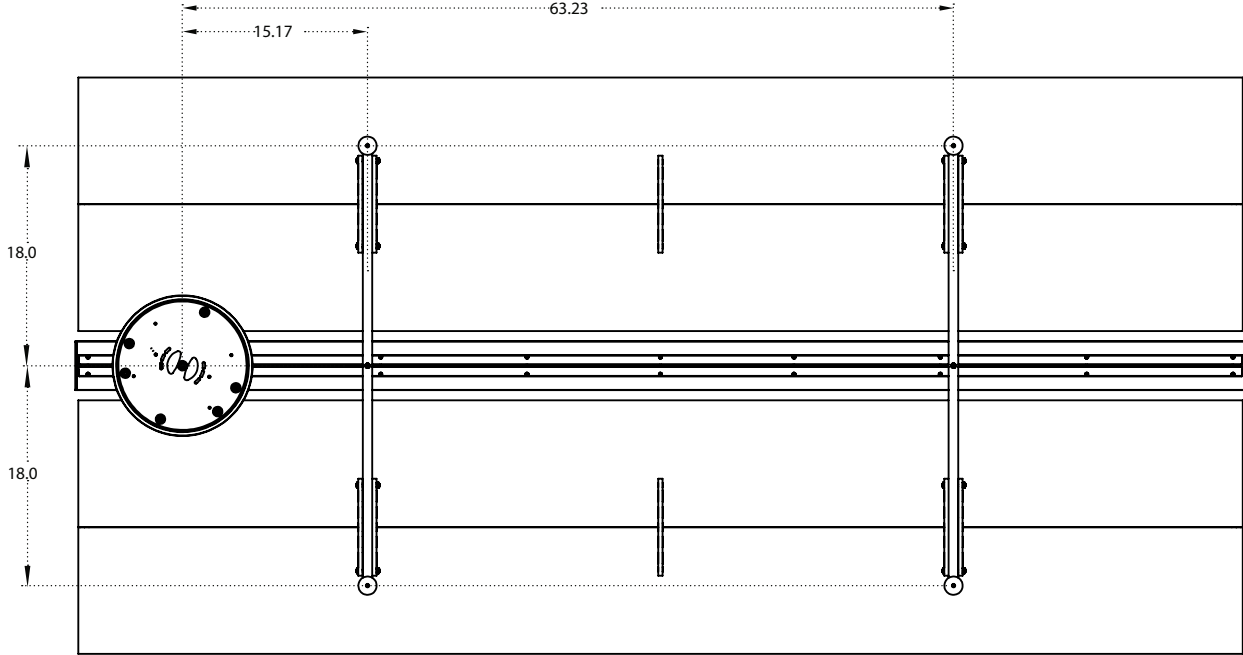
48 INCH WING



72 INCH WING



96 INCH WING



Acoustic

Dimensions & Weight

48 INCH CASPER

2.25	HEIGHT	48	LENGTH × 24	WIDTH	11.5	LBS
------	--------	----	-------------	-------	------	-----

72 INCH CASPER

2.25	HEIGHT	72	LENGTH × 24	WIDTH	15	LBS
------	--------	----	-------------	-------	----	-----

96 INCH CASPER

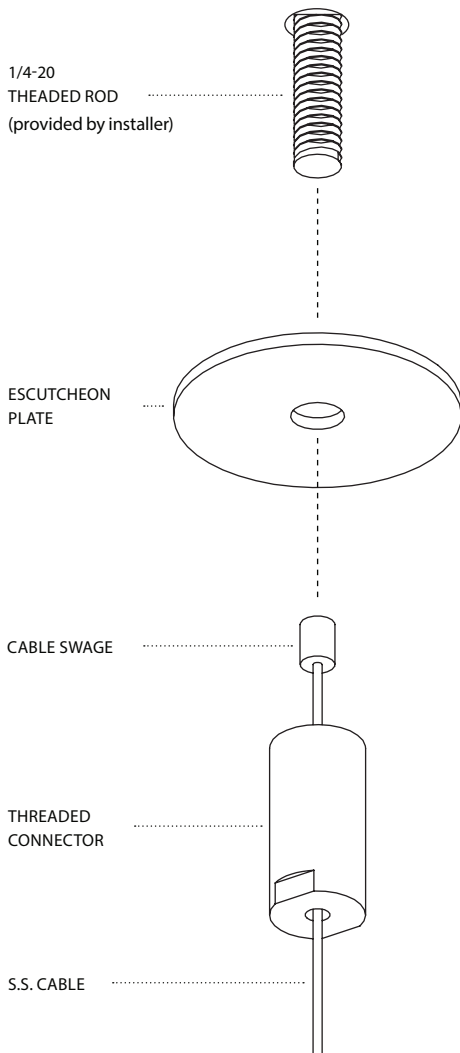
4.00	HEIGHT	96	LENGTH × 47.18	WIDTH	40	LBS
------	--------	----	----------------	-------	----	-----

Parts Overview

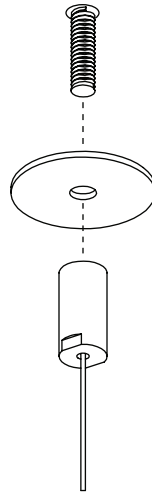
Install 1/4-20 all thread, refer to project specific shop drawings provided by LightArt for exact locations.

Note: All-thread to be installed to support 60lb. minimum load

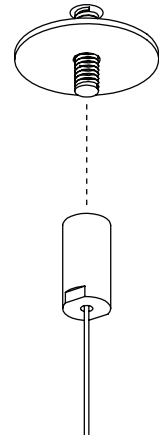
Note: All-thread should be installed to extend 1/2" below the line of the finish ceiling.



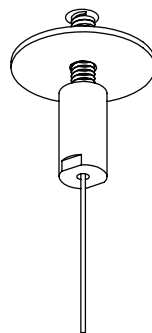
① Thread the adapter onto the all thread until firmly secured against ceiling as shown.



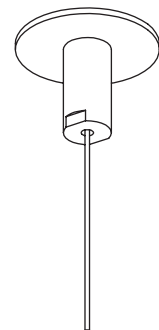
② Slide escutcheon plate over thread adapter & against the finished ceiling.



③ Thread ceiling coupler onto thread adapter as shown.



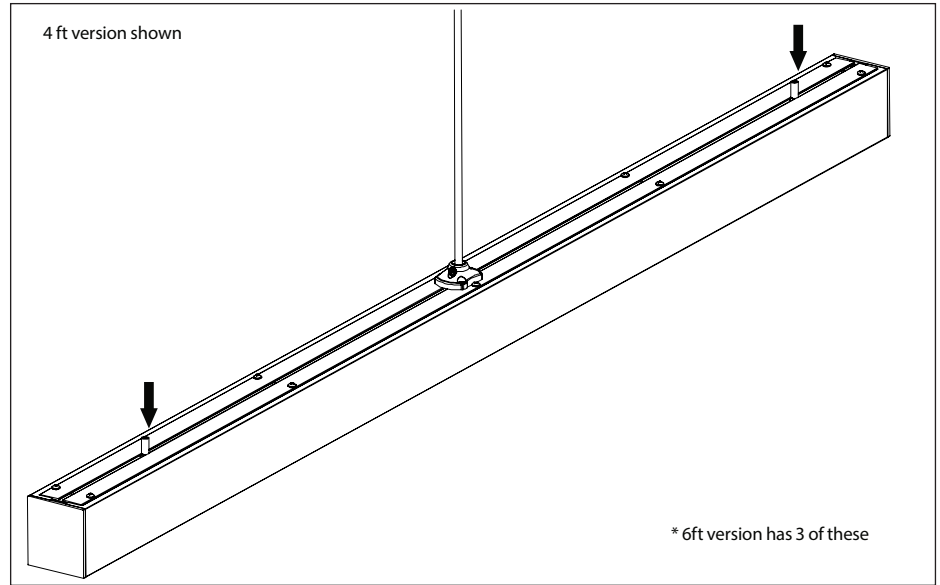
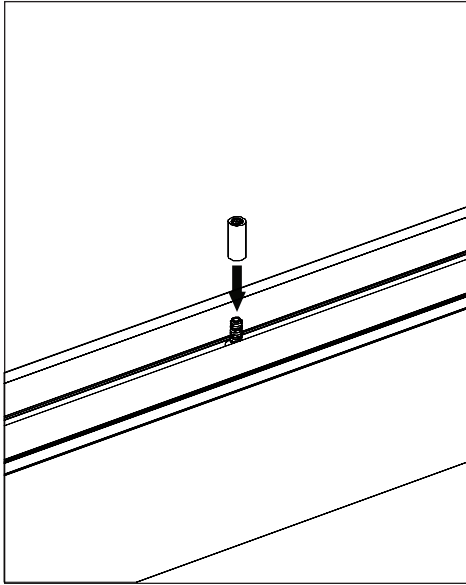
④ Continue threading ceiling coupler onto thread adapter until firmly secured against escutcheon plate at ceiling.



Step-by-step

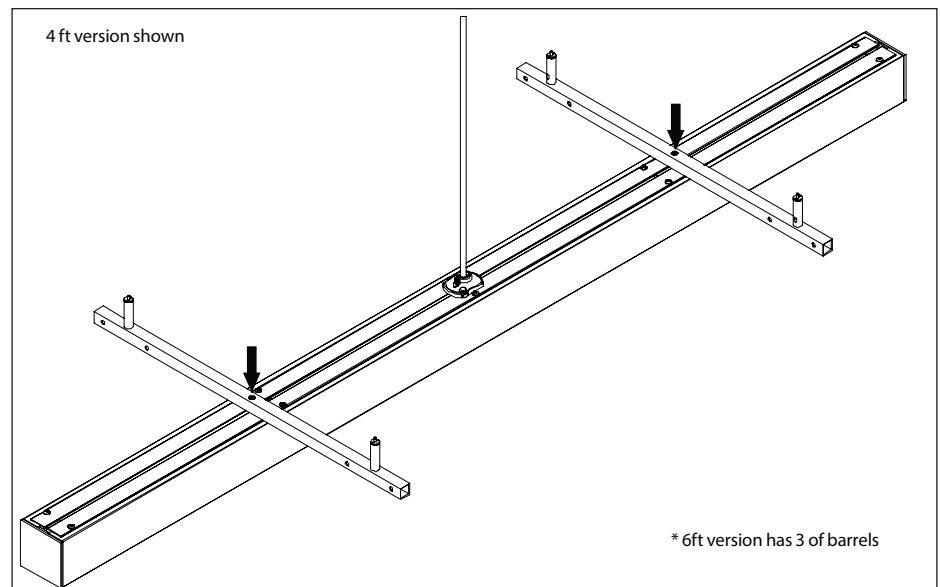
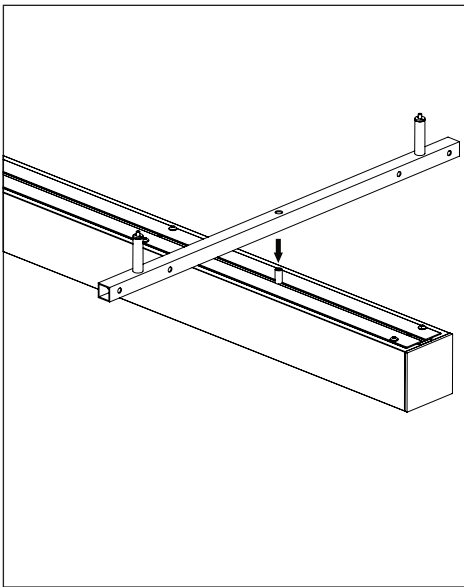
- 1 Thread smooth barrel sleeved onto the exposed 8-32 screw in the t-slot channel on the Casper beam.

Leave slightly loose so that the barrel can slide horizontally in the T-slot.



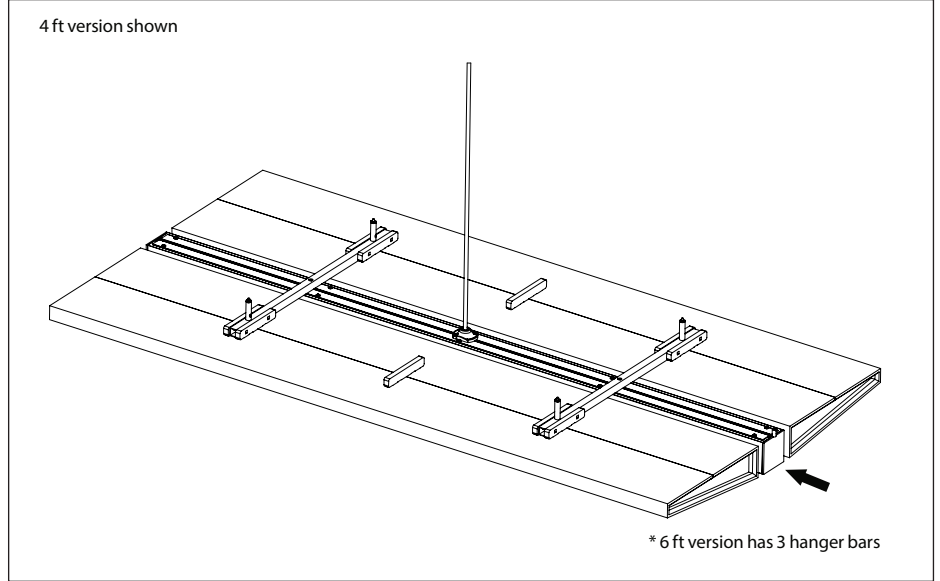
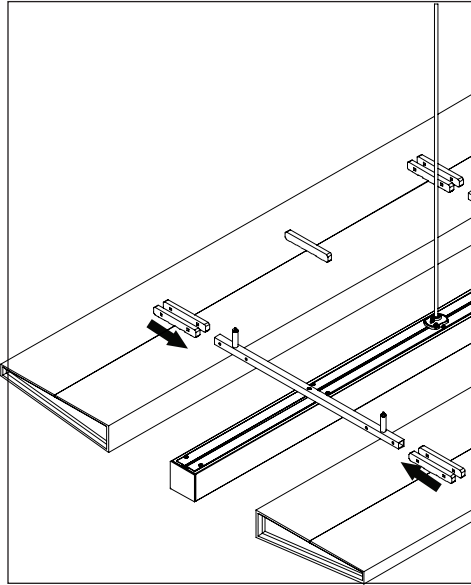
- 2 Place the hanger bars on each of the barrels installed in step 1.

*For the 6FT version the center hanger bar is the one without cable grippers.

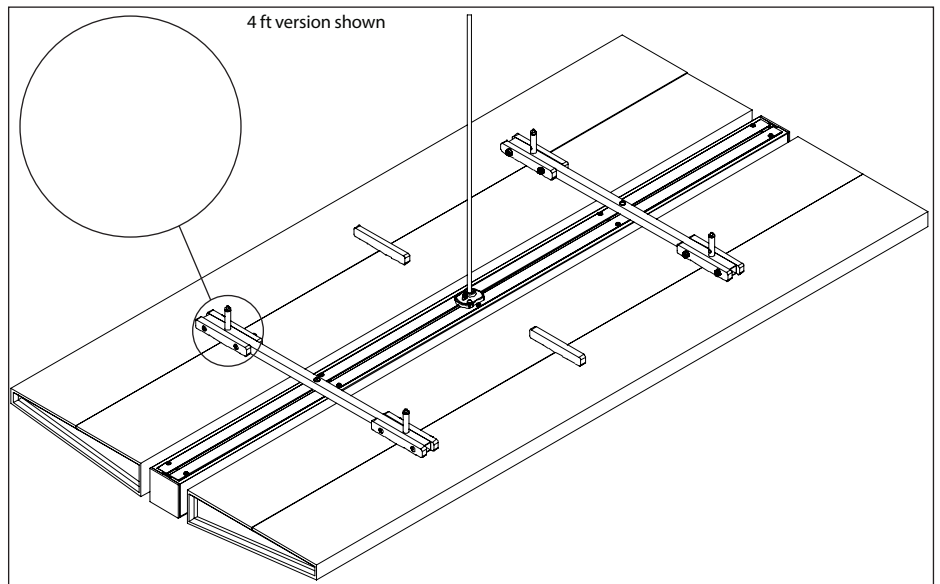
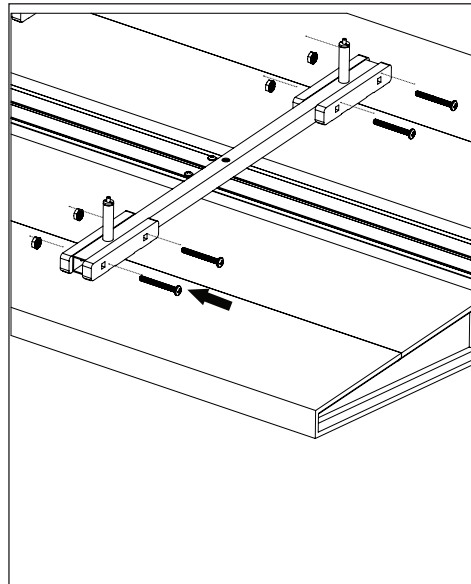


Step-by-step

- 1 Prepare to attach wing panels to hanger bars. Align hanger bars to lay in the middle of felt channels in top of the wing. Then adjust so that casper beam and wing panels are centered.

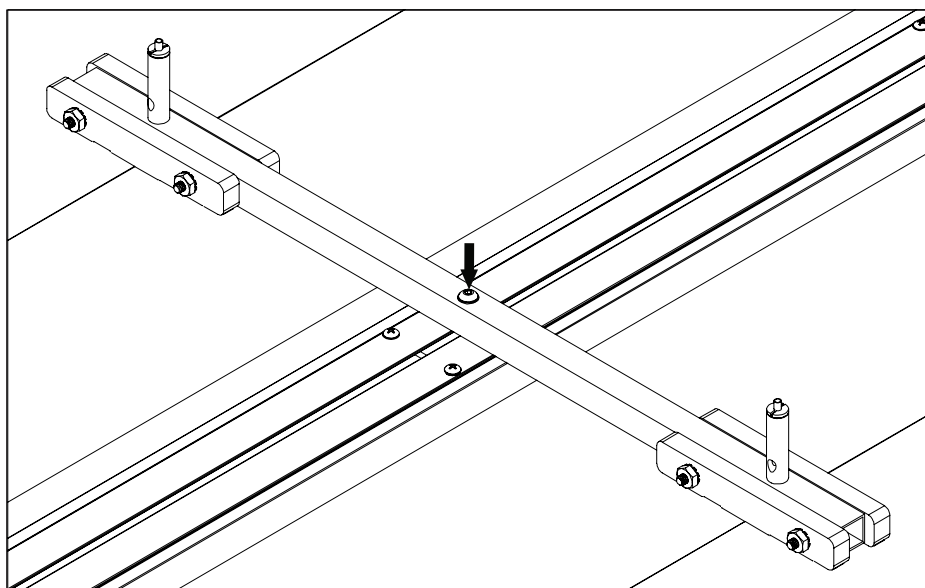
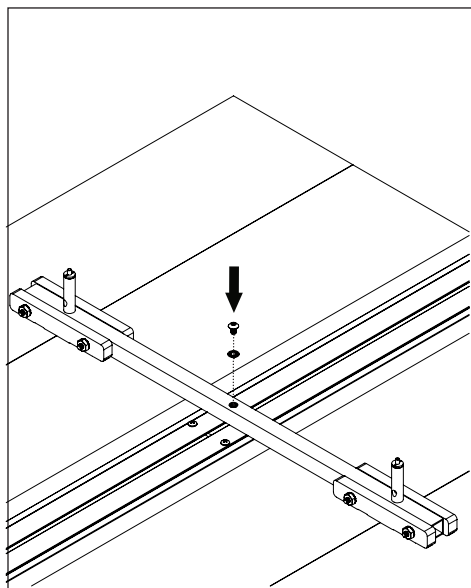


- 2 Attach Hanger bars to felt using the 1.5" long philips head bolts and corresponding nuts.



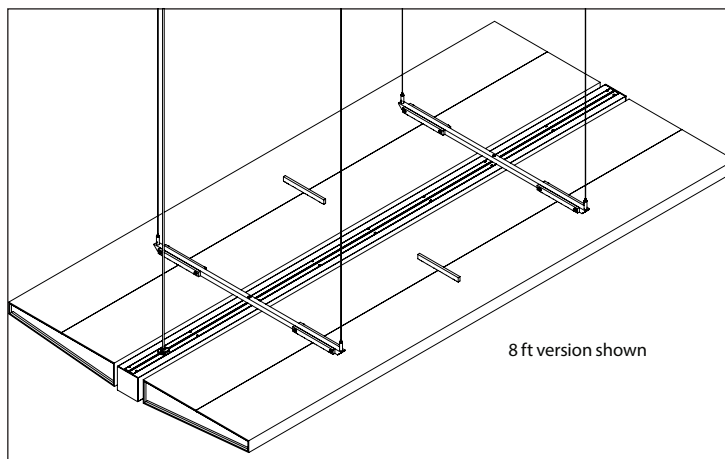
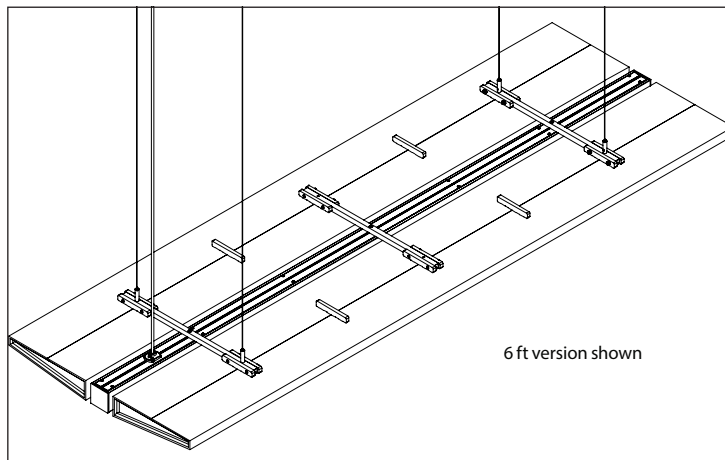
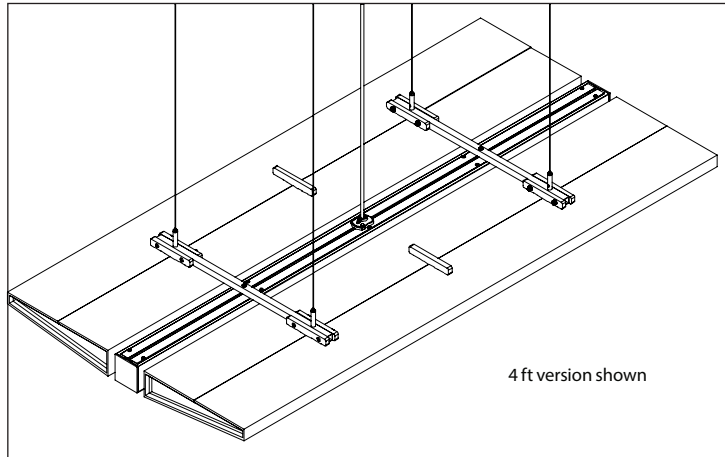
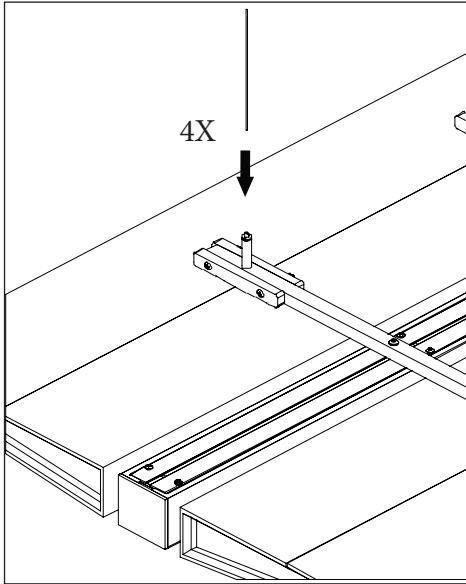
Step-by-step

- 3 Use small philips head screw and internal lock washer on the barrel sleeves to secure hanger bars to casper beam. Tightening so that hanger bars no longer slide horizontally. (2x 4ft and 8ft versions)
(* 3x for 6ft version)



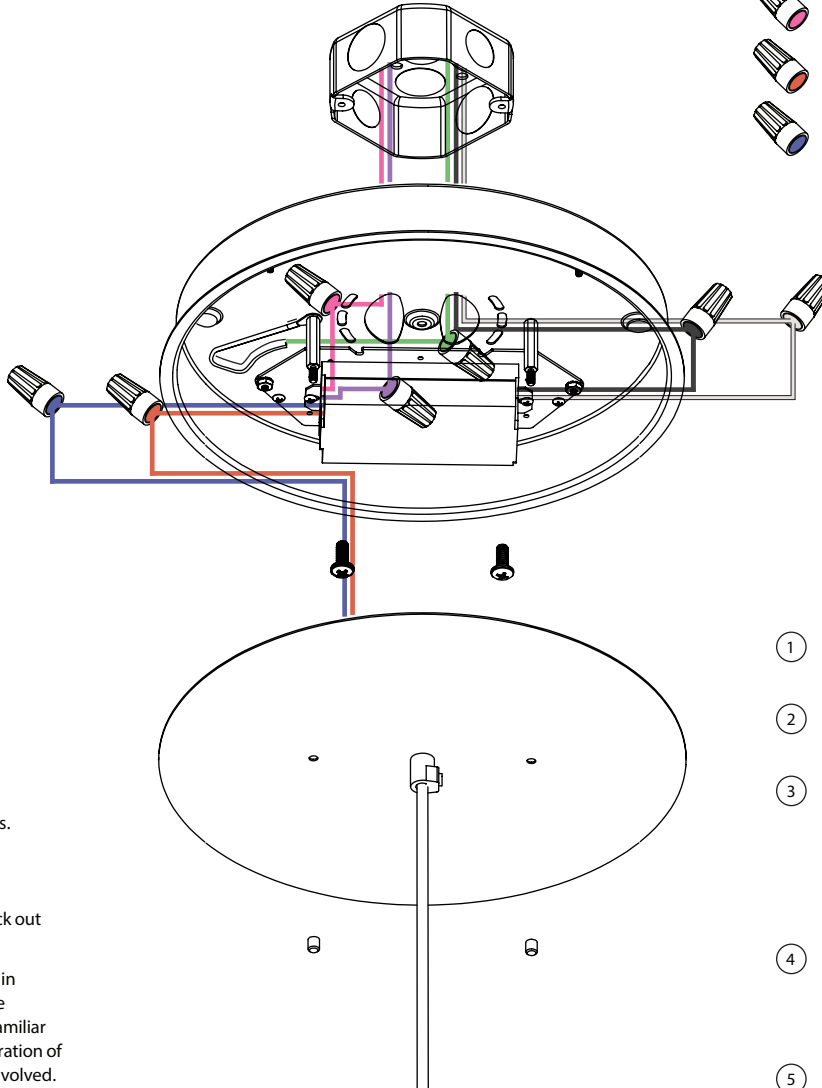
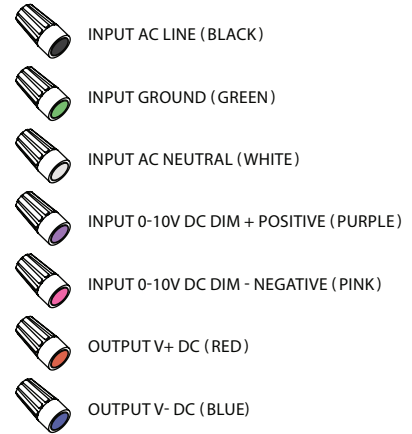
Step-by-step

- 1 Insert suspension cables that were mounted to the ceiling on page 6, into the cable grippers on the hanger bars and level to desired height



Wiring Diagram 0-10V Dimming

For illustration purposes only. Consult control manufacturer's spec. sheets for specific wiring requirements and fixture capacity.



- 1 Feed the multi-wire power cord from the fixture through the strain relief on dress plate.
- 2 Tighten set screw on strain relief to secure power cord.
- 3 Connect the WHITE (Input ACN) power supply wire to the WHITE (ACN) wire of the supply circuit. Connect the BLACK (Input ACL) power supply wire to the BLACK (ACL) wire of the supply circuit. Connect GREEN (GROUND) power supply wire to the GROUND wire of the supply circuit.
- 4 Connect the PURPLE (DIMMING +) power supply wire to the DIMMING + wire of the supply circuit. Connect the GRAY (DIMMING -) power supply wire to the DIMMING - wire of the supply circuit.
- 5 Push all line voltage connections and all excess wires into the junction box.
- 6 Connect the Blue (DC V-) wire from fixture to the BLUE (DC Output V-) of the driver. Connect the RED (DC V+) wire from the fixture to the RED (DC Output V+) wire of the driver.
- 7 Secure canopy to junction box with provided fasteners.

NOTICE

Wire according to appropriate manufacturer's wiring diagrams.

WARNING: Risk of shock from energized equipment.

Always turn power OFF and lock out during fixture installation.

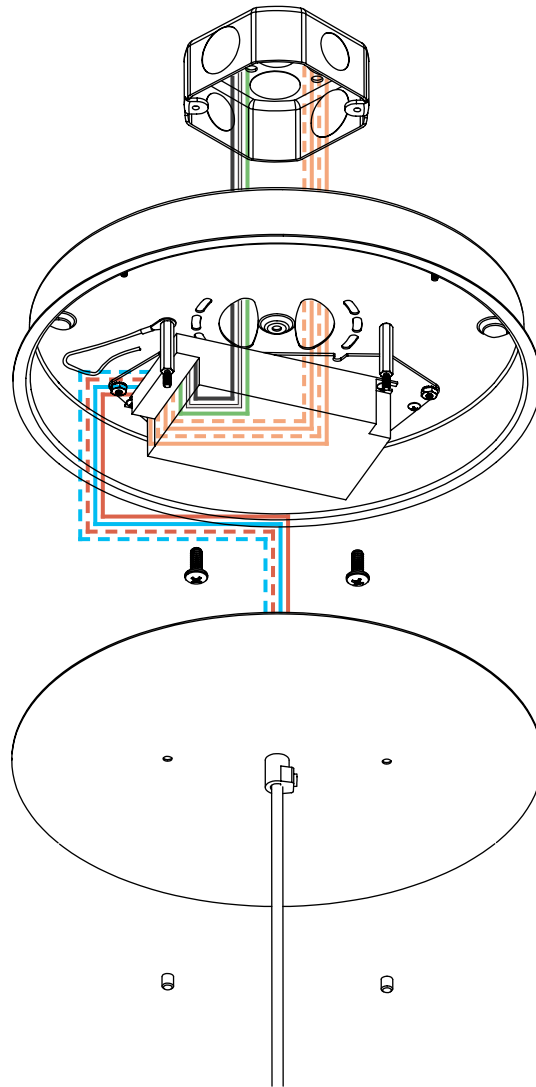
This product must be installed in accordance with the applicable installation code by a person familiar with the construction and operation of the product and the hazards involved.

WARNING

LIGHTART IS NOT LIABLE FOR DAMAGE DUE TO MISWIRING 0-10 VOLT CONTROL WIRES, OR LOW VOLTAGE LED WIRES TO LINE VOLTAGE.

Wiring Diagram Tunable White

For illustration purposes only. Consult control manufacturer's spec. sheets for specific wiring requirements and fixture capacity.



NOTICE

Wire according to appropriate manufacturer's wiring diagrams.

WARNING: Risk of shock from energized equipment.

Always turn power OFF and lock out during fixture installation.

This product must be installed in accordance with the applicable installation code by a person familiar with the construction and operation of the product and the hazards involved.

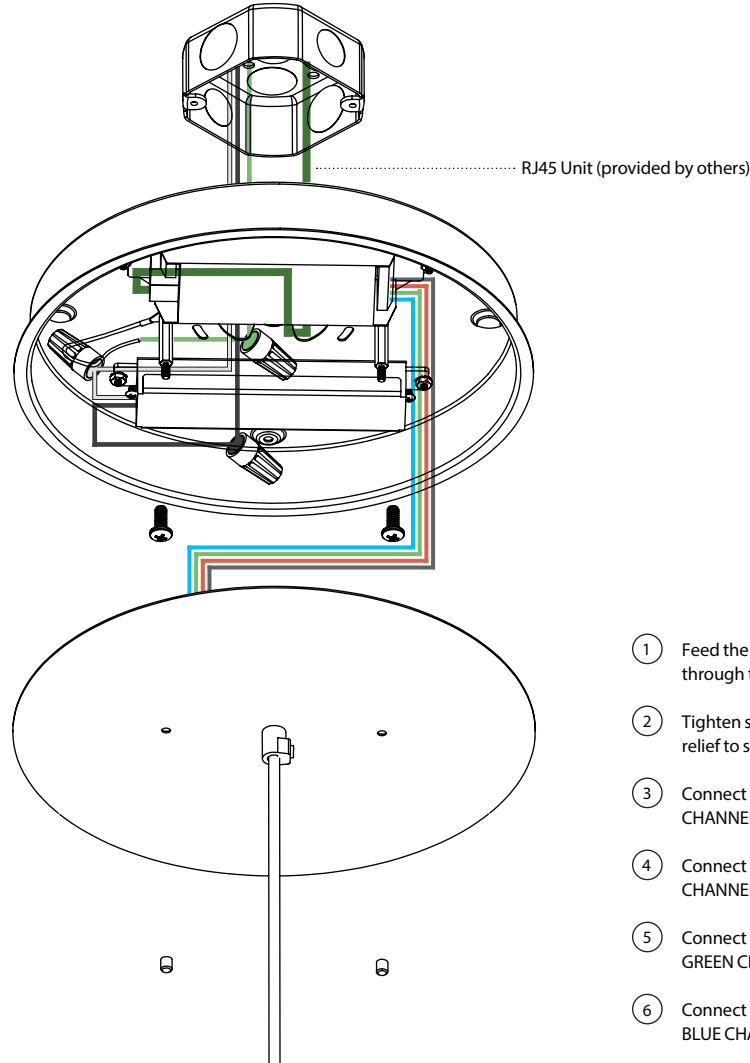
WARNING

LIGHTART IS NOT LIABLE FOR DAMAGE DUE TO MISWIRING 0-10 VOLT CONTROL WIRES, OR LOW VOLTAGE LED WIRES TO LINE VOLTAGE.

- ① Feed the multi-wire power cord from the fixture through the strain relief on dress plate.
- ② Tighten set screw on strain relief to secure power cord.
- ③ Connect the SOLID RED wire from the fixture to the POSITIVE terminal of OUTPUT, GROUP 1 on the driver.
Connect the SOLID BLUE wire from the fixture to the NEGATIVE terminal of OUTPUT, GROUP 1 on the driver.
- ④ Connect the DASHED RED wire from the fixture to the POSITIVE terminal of OUTPUT, GROUP 2 on the driver.
Connect the DASHED BLUE wire from the fixture to the NEGATIVE terminal of OUTPUT, GROUP 2 on the driver.
- ⑤ Push all line voltage connections and all excess wires into the junction box.
- ⑥ Secure canopy to junction box with provided fasteners.

Wiring Diagram RGB

For illustration purposes only. Consult control manufacturer's spec. sheets for specific wiring requirements and fixture capacity.



NOTICE

Wire according to appropriate manufacturer's wiring diagrams.

WARNING: Risk of shock from energized equipment.

Always turn power OFF and lock out during fixture installation.

This product must be installed in accordance with the applicable installation code by a person familiar with the construction and operation of the product and the hazards involved.

- ① Feed the multi-wire power cord from the fixture through the strain relief on dress plate.
- ② Tighten set screw on strain relief to secure power cord.
- ③ Connect the BLACK wire from the fixture to the V+ CHANNEL, OUTPUT on the DMX decoder.
- ④ Connect the RED wire from the fixture to the RED CHANNEL, OUTPUT on the DMX decoder.
- ⑤ Connect the GREEN wire from the fixture to the GREEN CHANNEL, OUTPUT on the DMX decoder.
- ⑥ Connect the BLUE wire from the fixture to the BLUE CHANNEL, OUTPUT on the DMX decoder.
- ⑦ Push all line voltage connections and all excess wires into the junction box.
- ⑧ Secure canopy to junction box with provided fasteners.

WARNING

LIGHTART IS NOT LIABLE FOR DAMAGE DUE TO MISWIRING 0-10 VOLT CONTROL WIRES, OR LOW VOLTAGE LED WIRES TO LINE VOLTAGE.