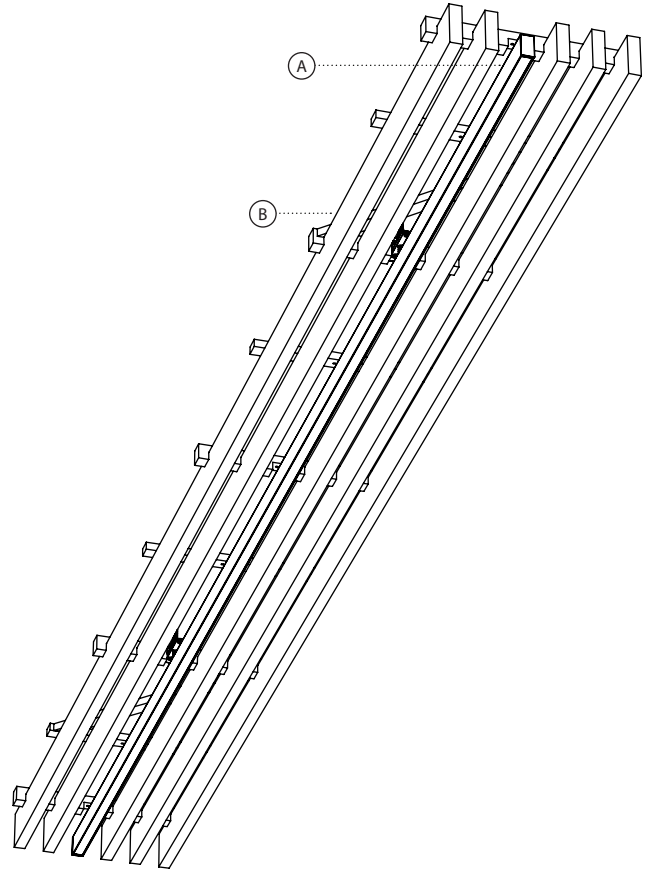


# Woodworks Grille 0.75" Fixture

INSTALLATION INSTRUCTIONS

ILLUSTRATIONS ARE REPRESENTATIVE OF A 6336L8S14 SLAT REPLACEMENT. SIZE, SHAPE, & DETAILS OF YOUR FIXTURE WILL VARY BASED ON YOUR PROJECT. REFER TO SHOP DRAWINGS FOR SPECIFIC INFORMATION ABOUT YOUR FIXTURE.



(A) 0.75" FIXTURE

(B) 6336L8S14 SLAT

## Specifications

### SHIPPING / RECEIVING

Fixtures boxed & shipped individually or for large quantities, on 4' x 4' or 4' x 8' pallets

Customer responsible for receiving & unloading of fixtures

Pallet jack / forklift strongly recommended (palletized orders only)

Fixtures must be stored indoors in a climate controlled location prior to installation

### INSTALLATION

(2) People required for safe & efficient installation

(2) Ladders or a scissor lift

All necessary tools needed for proper wiring of fixture to supply circuits

### HANDLING

Fixtures should remain boxed for protection until needed for installation

Fixtures are constructed of durable aluminium, but must be handled with care

Larger configurations should be handled by a minimum of 2 people

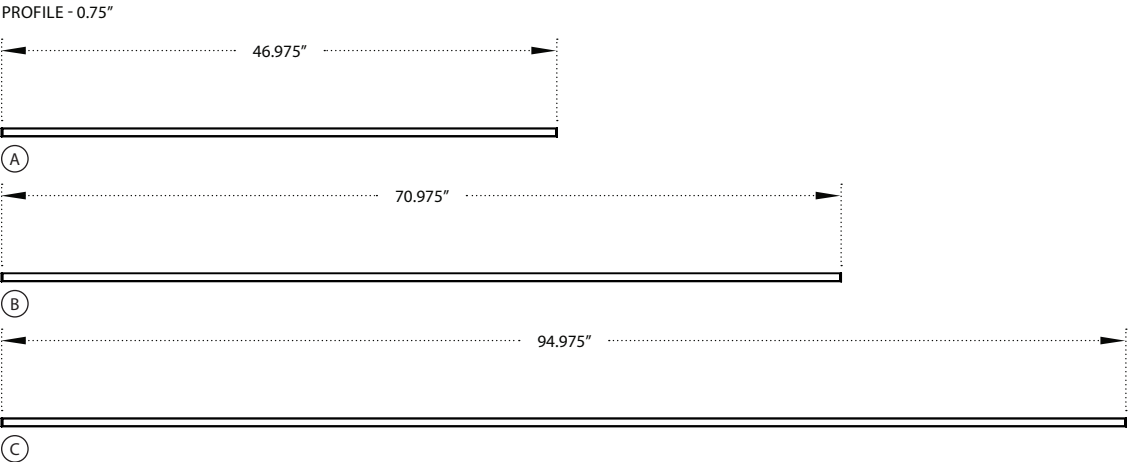
Do not allow fixture components to rest on unpadded surfaces

### CLEANING

Use vacuum or soft brush to clean surfaces. Do not use strong solvents, highly alkaline or abrasive cleaning agents

## Length Dimensions

---



WEBSITE SKU PRODUCT NUMBERS

- (A) 47L
- (B) 71L
- (C) 95L

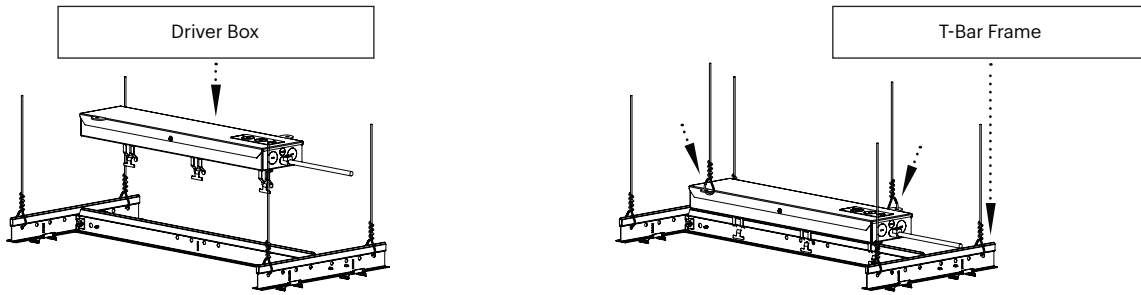
CONTACT LIGHTART FOR CUSTOM LENGTHS

# Woodworks Grille 0.75" Fixture Installation

## Step-By-Step

- 1 Align the clips from the driver box with the t-grid and press down to snap it into place.

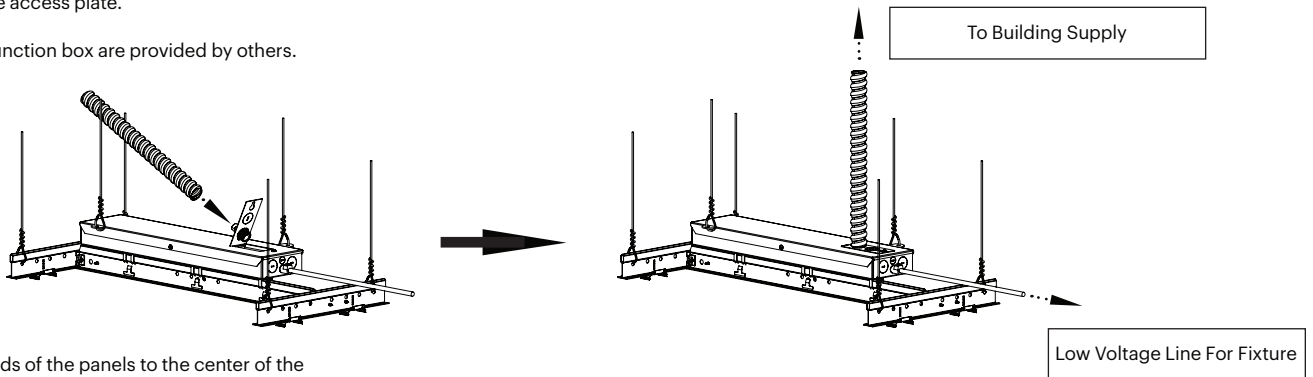
Secure driver box to structure above using the wires provided by others.



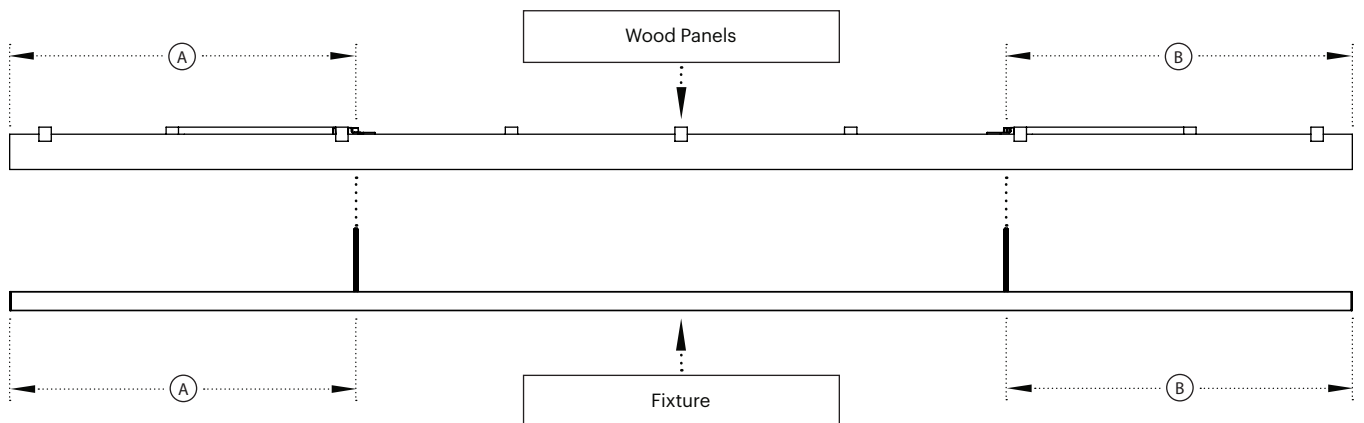
- 2 Install the conduit and the wire from the junction box to the driver plate. This can be opened by loosening the screw.

Then connect the building supply wire to the driver box through the access plate.

\*Conduit and junction box are provided by others.



- 3 Measure the ends of the panels to the center of the bracket attachment point (A) and (B). Then loosen the jack screw on the fixture and position them in the same spot as (A) and (B) using the same logic.

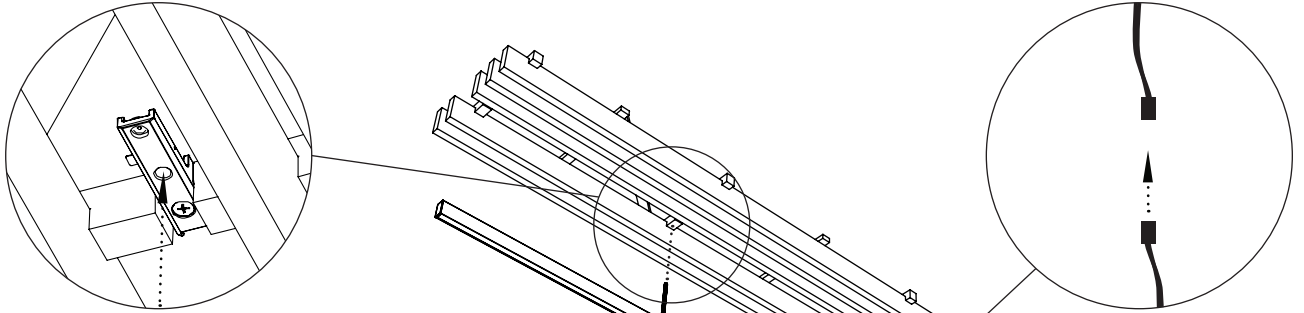


# Woodworks Grille 0.75" Fixture Installation

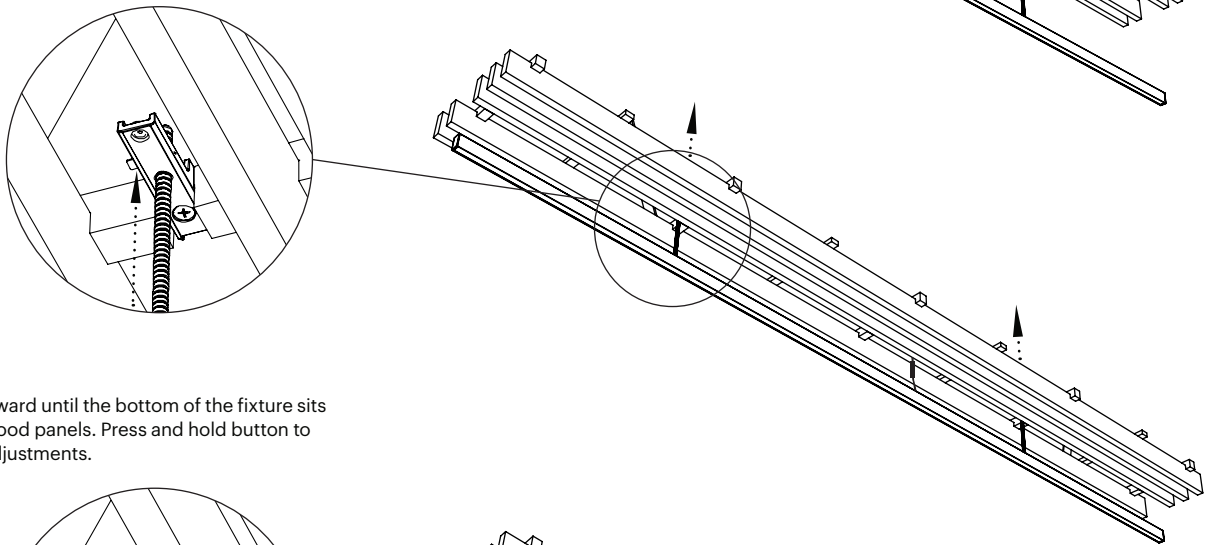
INSTALLATION INSTRUCTIONS

## Step-By-Step

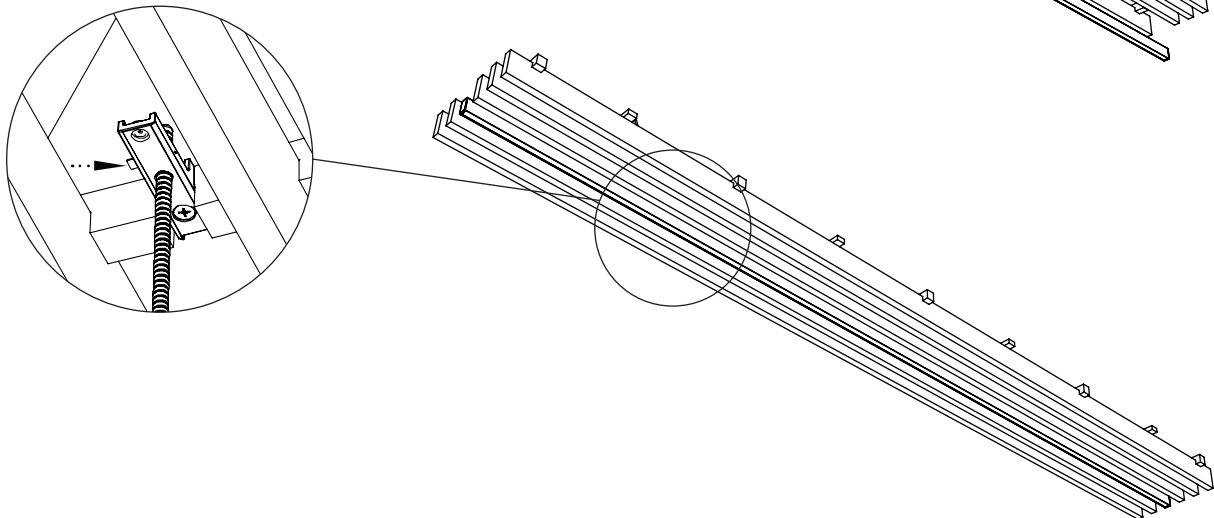
- 4 Connect the low voltage line from the driver box to the cord protruding out of the fixture. Align the jack-screws with the opening on the brackets.



- 5 Insert jack-screw into the brackets and press upward.



- 6 Press fixture upward until the bottom of the fixture sits flush with the wood panels. Press and hold button to make vertical adjustments.

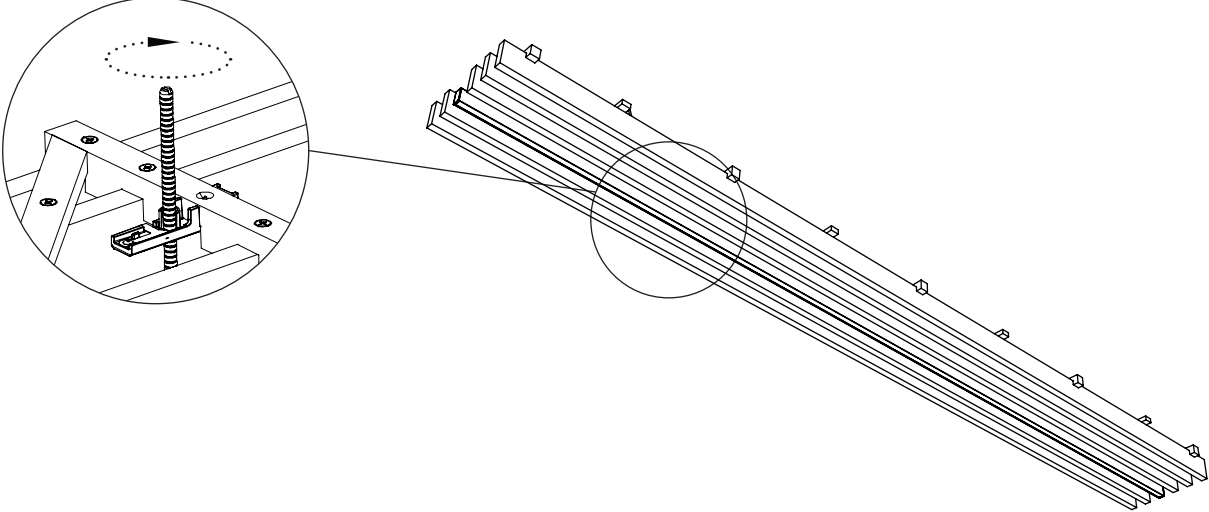


# Woodworks Grille 0.75" Fixture Installation

## Step-By-Step

---

- 7 Tighten the top of the jack-screws by inserting a flat head screw driver into the slot.

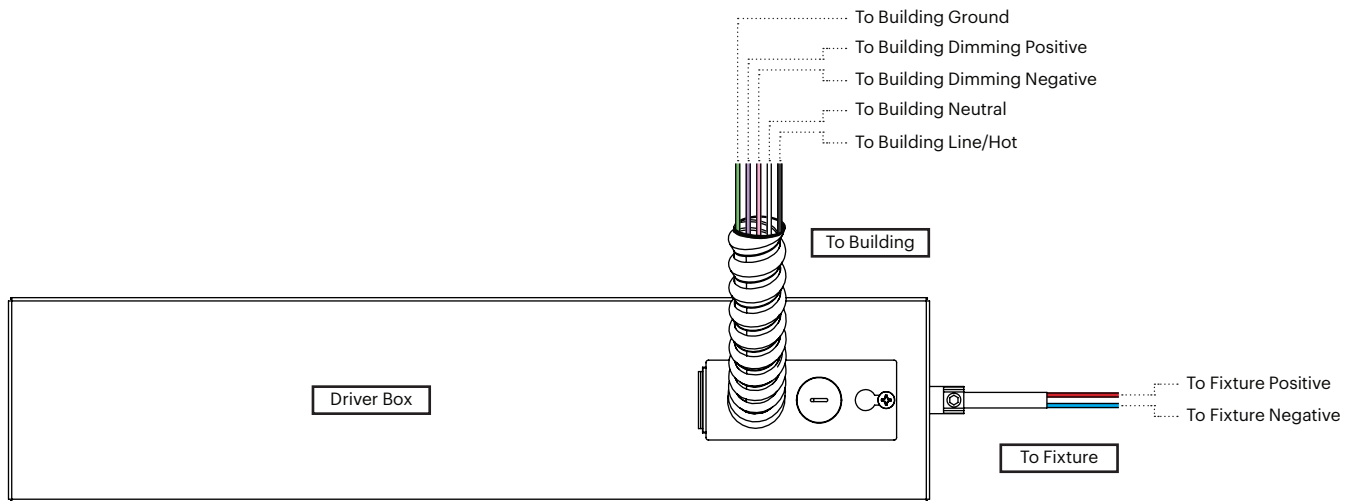


# Woodworks Grille

INSTALLATION INSTRUCTIONS

## Wiring Diagram 0-10V Dimming, 1 Driver

For illustration purposes only. Consult control manufacturer's spec. sheets for specific wiring requirements and fixture capacity.



### NOTICE

Wire according to appropriate manufacturers wiring diagrams.

**WARNING:** Risk of shock from energized equipment.

Always turn power OFF and lock out during fixture installation.

This product must be installed in accordance with the applicable installation code by a person familiar with the construction and operation of the product and the hazards involved.

### WARNING

LIGHTART IS NOT LIABLE FOR DAMAGE DUE TO MISWIRING 0-10 VOLT CONTROL WIRES, OR LOW VOLTAGE LED WIRES TO LINE VOLTAGE.

- 1 Open up the driver box door by loosening the screw on the top face.
- 2 Attach the line voltage conduit to the door. (The conduit is provided by others.)
- 3 Connect the WHITE (Input ACN) power supply wire to the WHITE (ACN) wire of the supply circuit. Connect the BLACK (Input ACL) power supply wire to the BLACK (ACL) wire of the supply circuit. Connect GREEN (GROUND) power supply wire to the GROUND wire of the supply circuit.
- 4 Connect the PURPLE (DIMMING +) power supply wire to the DIMMING + wire of the supply circuit. Connect the PINK (DIMMING -) power supply wire to the DIMMING - wire of the supply circuit.
- 5 Connect the low voltage line, Blue (DC V-) wire from fixture to the BLUE (DC Output V-) of the driver box. Connect the RED (DC V+) wire from the fixture to the RED (DC Output V+) wire of the driver. These cords will have a connector pre-installed.