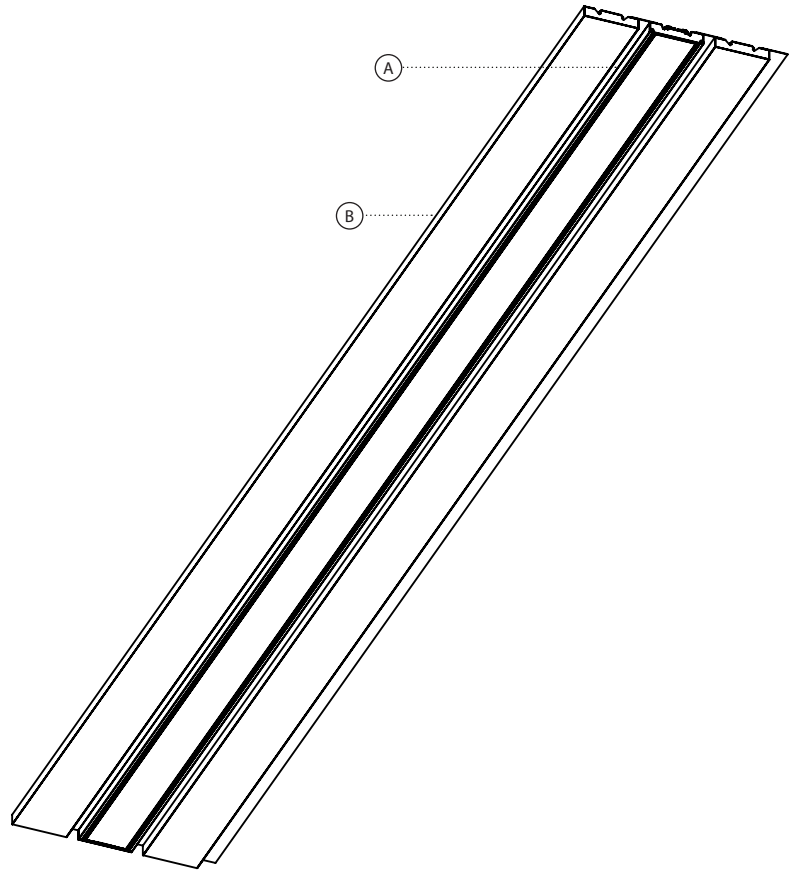


Woodworks Linear Open 3.75" Fixture

INSTALLATION INSTRUCTIONS

ILLUSTRATIONS ARE REPRESENTATIVE OF A 6440F01W1 SLAT REPLACEMENT. SIZE, SHAPE, & DETAILS OF YOUR FIXTURE WILL VARY BASED ON YOUR PROJECT. REFER TO SHOP DRAWINGS FOR SPECIFIC INFORMATION ABOUT YOUR FIXTURE.



(A) 3.75" FIXTURE

(B) 6440F01W1 SLAT

Specifications

SHIPPING / RECEIVING

Fixtures boxed & shipped individually or for large quantities, on 4' x 4' or 4' x 8' pallets

Customer responsible for receiving & unloading of fixtures

Pallet jack / forklift strongly recommended (palletized orders only)

Fixtures must be stored indoors in a climate controlled location prior to installation

INSTALLATION

(2) People required for safe & efficient installation

(2) Ladders or a scissor lift

All necessary tools needed for proper wiring of fixture to supply circuits

HANDLING

Fixtures should remain boxed for protection until needed for installation

Fixtures are constructed of durable aluminium, but must be handled with care

Larger configurations should be handled by a minimum of 2 people

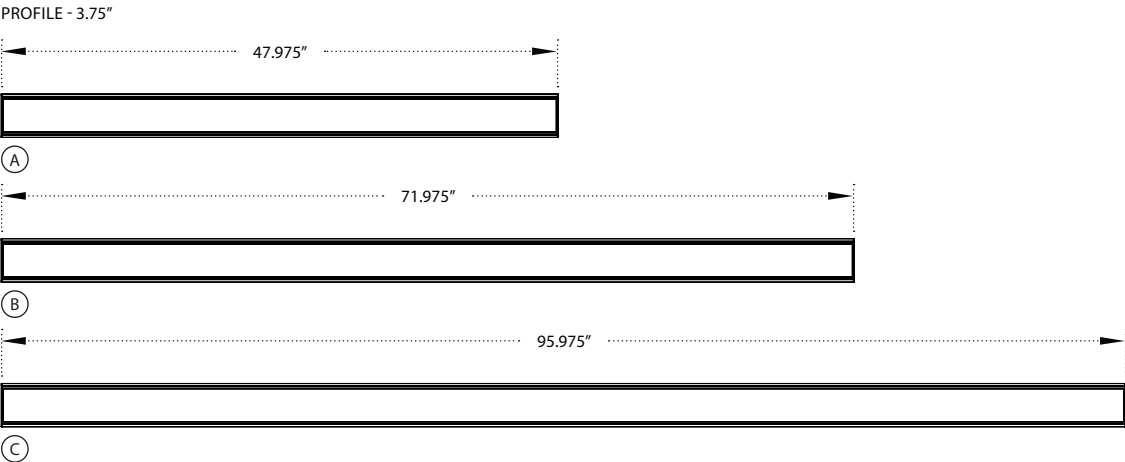
Do not allow fixture components to rest on unpadded surfaces

CLEANING

Use vacuum or soft brush to clean surfaces. Do not use strong solvents, highly alkaline or abrasive cleaning agents

Woodworks Linear Open Overview

Length Dimensions



WEBSITE SKU PRODUCT NUMBERS

- (A) 48L
- (B) 72L
- (C) 96L

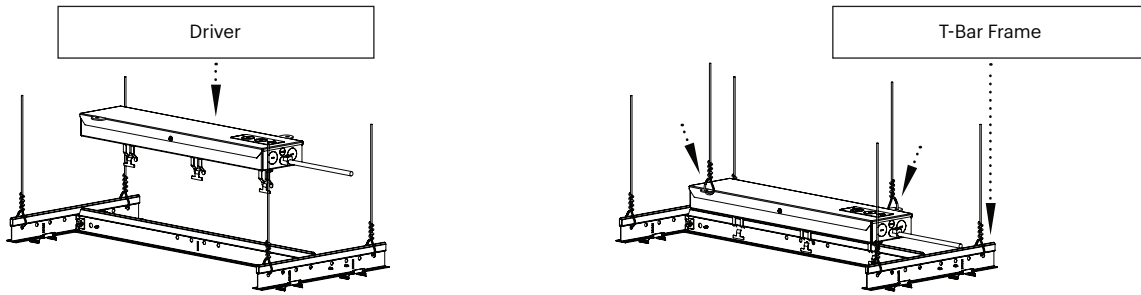
CONTACT LIGHTART FOR CUSTOM LENGTHS

Woodworks Linear Open 3.75" Fixture Installation INSTALLATION INSTRUCTIONS

Step-By-Step

- 1 Align the clips from the driver box with the t-grid and press down to snap it into place.

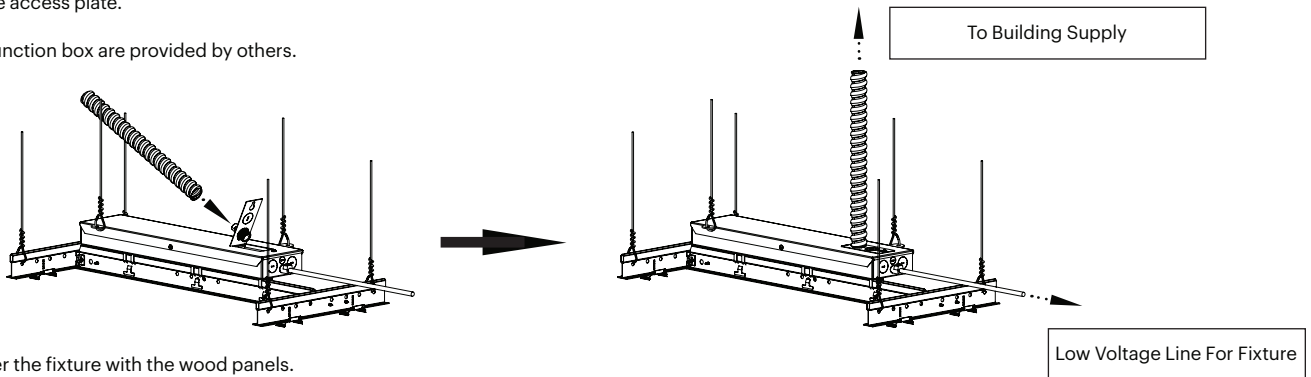
Secure driver box to structure above using the wires provided by others.



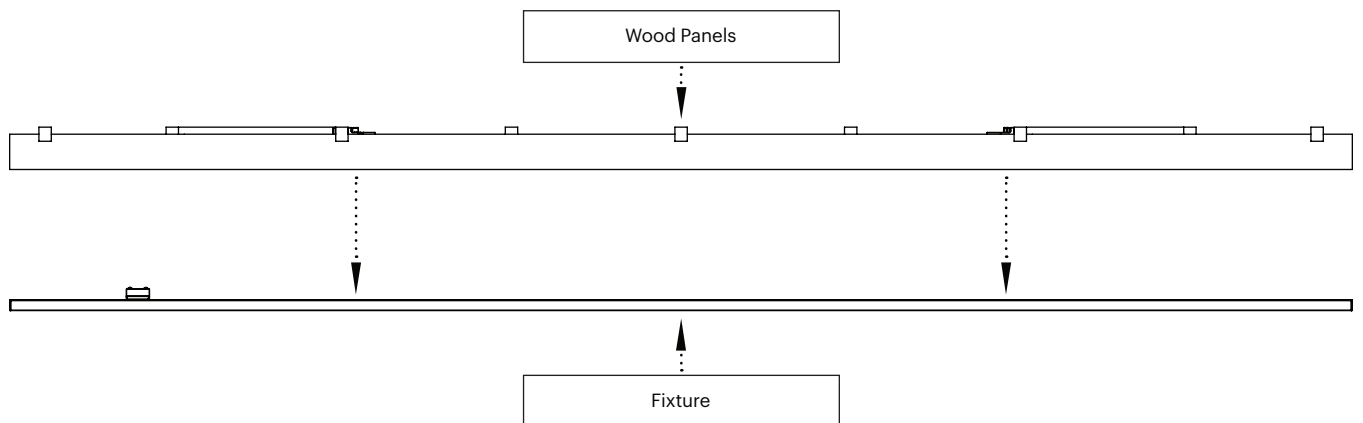
- 2 Install the conduit and the wire from the junction box to the driver plate. This can be opened by loosening the screw.

Then connect the building supply wire to the driver box through the access plate.

*Conduit and junction box are provided by others.



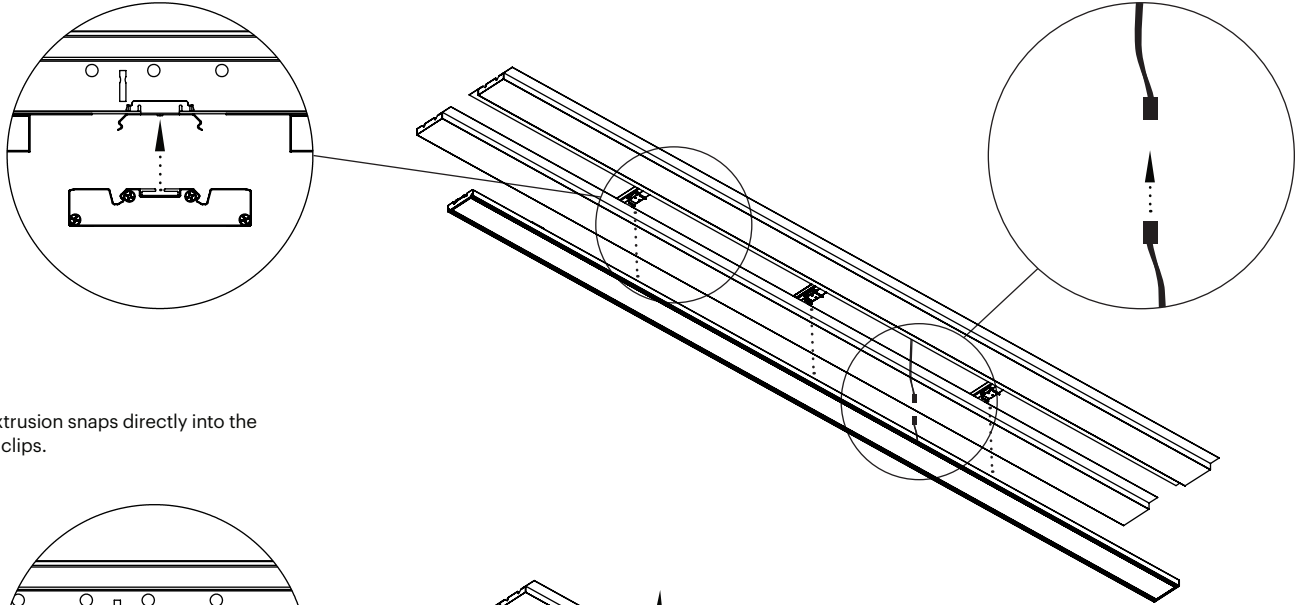
- 3 Align and center the fixture with the wood panels.



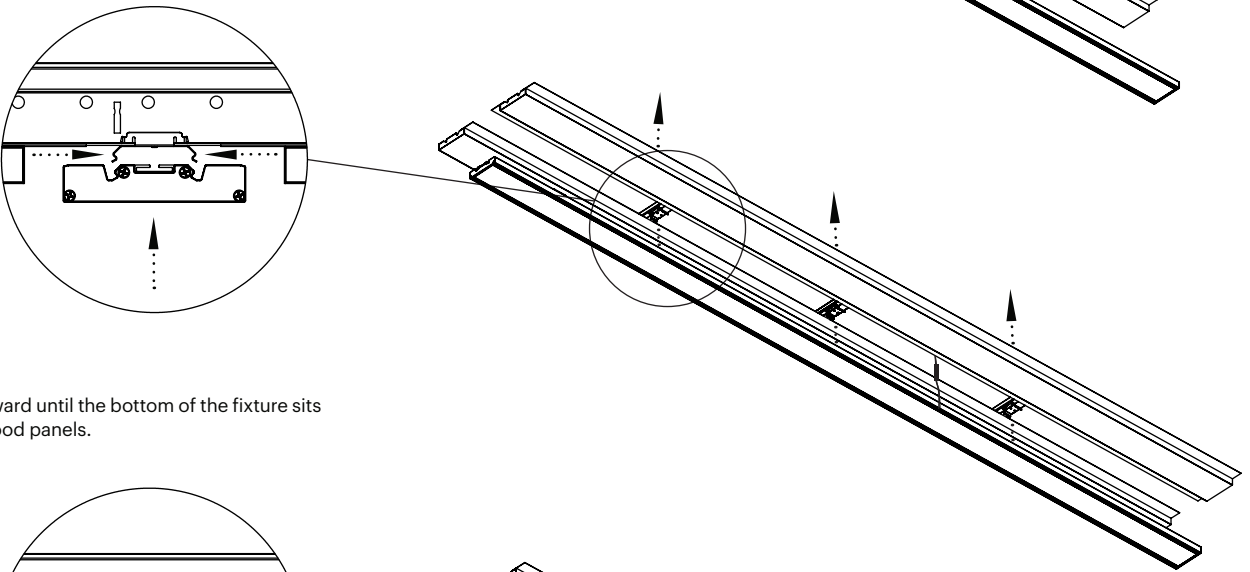
Woodworks Linear Open 3.75" Fixture Installation INSTALLATION INSTRUCTIONS

Step-By-Step

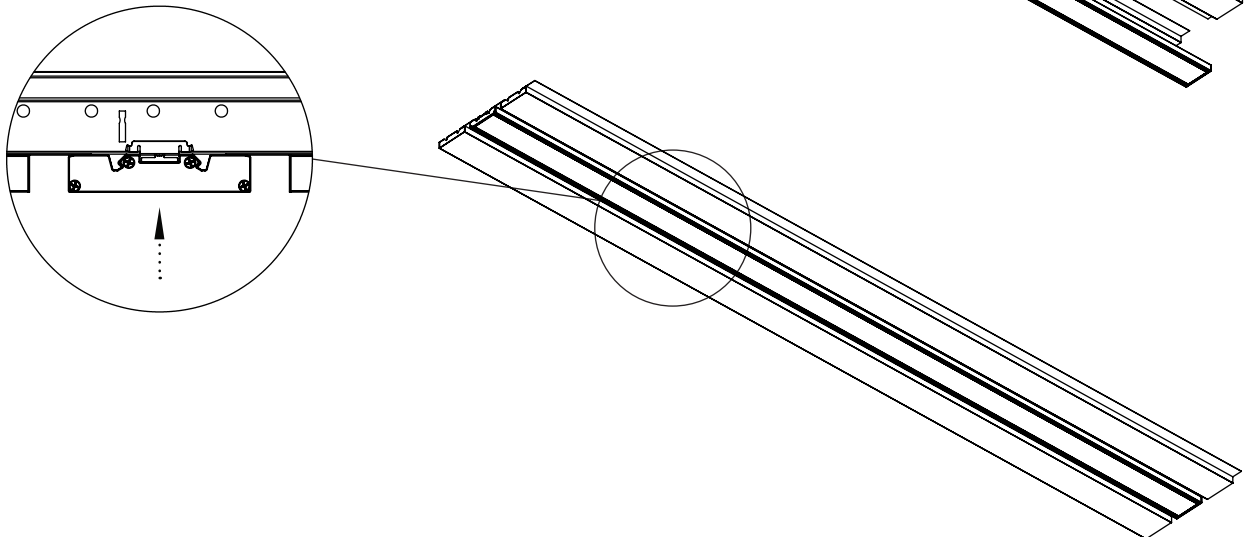
- ④ Connect the low voltage line from the driver box to the cord protruding out of the fixture. Then align the aluminum extrusion with the pre-installed tee clips.



- ⑤ The aluminum extrusion snaps directly into the pre-installed tee clips.



- ⑥ Press fixture upward until the bottom of the fixture sits flush with the wood panels.

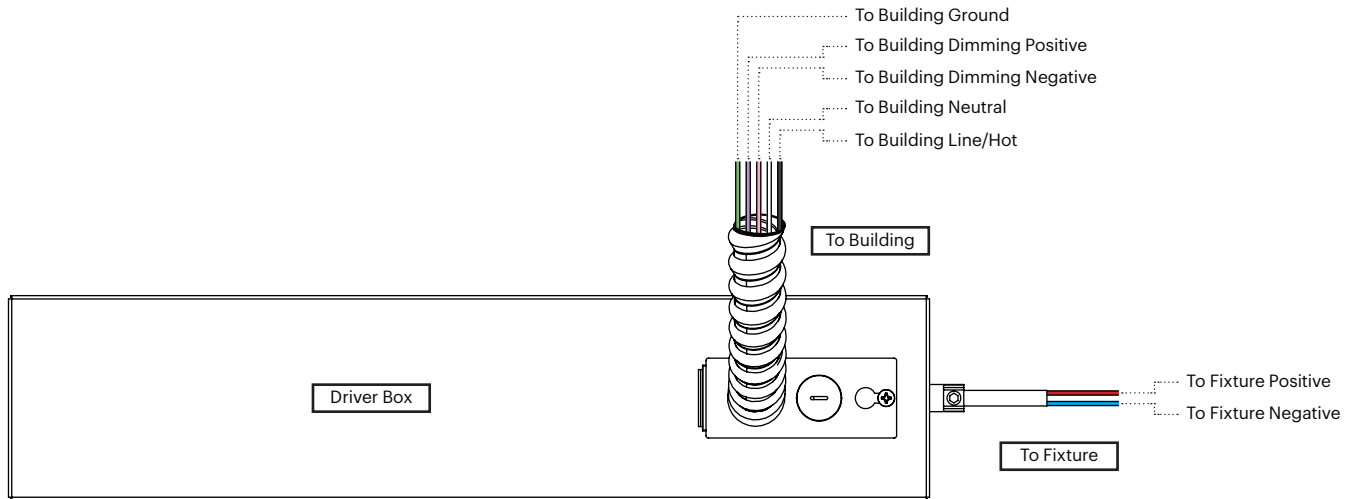


Woodworks Linear Open

INSTALLATION INSTRUCTIONS

Wiring Diagram 0-10V Dimming, 1 Driver

For illustration purposes only. Consult control manufacturer's spec. sheets for specific wiring requirements and fixture capacity.



NOTICE

Wire according to appropriate manufacturers wiring diagrams.

WARNING: Risk of shock from energized equipment.

Always turn power OFF and lock out during fixture installation.

This product must be installed in accordance with the applicable installation code by a person familiar with the construction and operation of the product and the hazards involved.

WARNING

LIGHTART IS NOT LIABLE FOR DAMAGE DUE TO MISWIRING 0-10 VOLT CONTROL WIRES, OR LOW VOLTAGE LED WIRES TO LINE VOLTAGE.

- 1 Open up the driver box door by loosening the screw on the top face.
- 2 Attach the line voltage conduit to the door. (The conduit is provided by others.)
- 3 Connect the WHITE (Input ACN) power supply wire to the WHITE (ACN) wire of the supply circuit. Connect the BLACK (Input ACL) power supply wire to the BLACK (ACL) wire of the supply circuit. Connect GREEN (GROUND) power supply wire to the GROUND wire of the supply circuit.
- 4 Connect the PURPLE (DIMMING +) power supply wire to the DIMMING + wire of the supply circuit. Connect the PINK (DIMMING -) power supply wire to the DIMMING - wire of the supply circuit.
- 5 Connect the low voltage line, Blue (DC V-) wire from fixture to the BLUE (DC Output V-) of the driver box. Connect the RED (DC V+) wire from the fixture to the RED (DC Output V+) wire of the driver. These cords will have a connector pre-installed.