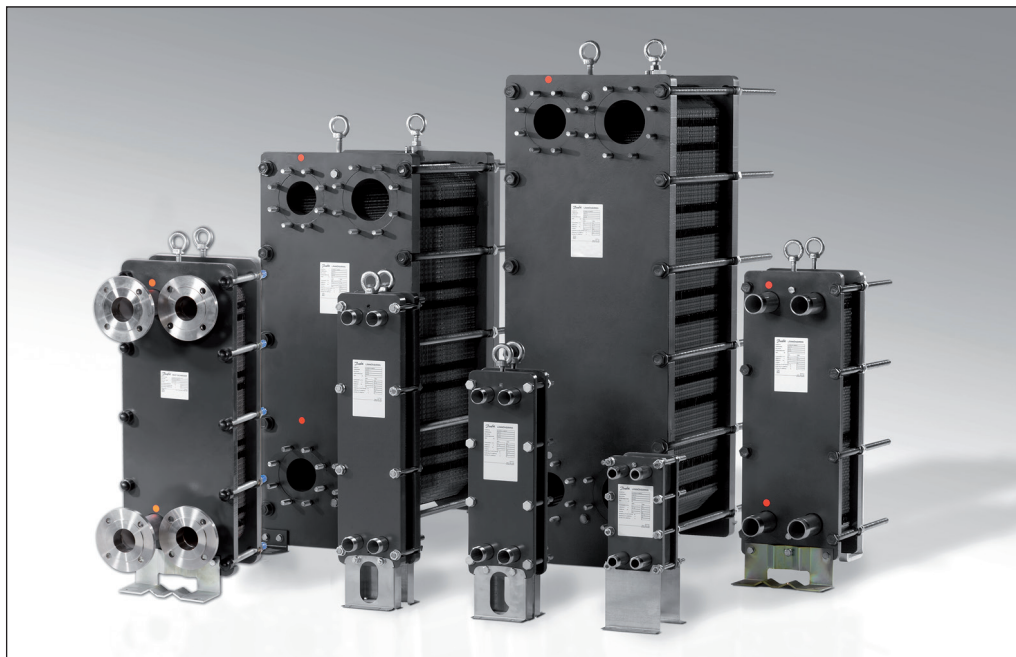


Data sheet

Gasketed heat exchanger XGF

Description / application



The XGF is a heat exchanger with gaskets and it has been developed for use with district heating and cooling systems. The heat exchangers can be opened for cleaning and for replacement of plates and gaskets. The XGF plate heat exchangers with gaskets are manufactured with different plate sizes.

Approvals:

- Pressure Equipment Directive (PED) 97/23/EC
- GOST/Russia

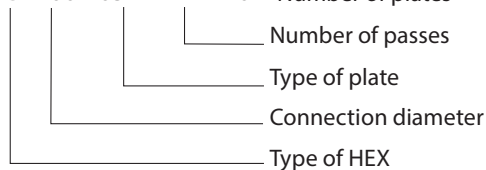
Main data:

- Min. temperature $-10\text{ }^{\circ}\text{C}$
- Max. temperature $+150\text{ }^{\circ}\text{C}$
- Max. working pressure 25 bar
- Circulation water / glycolic water up to 50%
- Connection size DN (thread or flanged) 50-300

Ordering

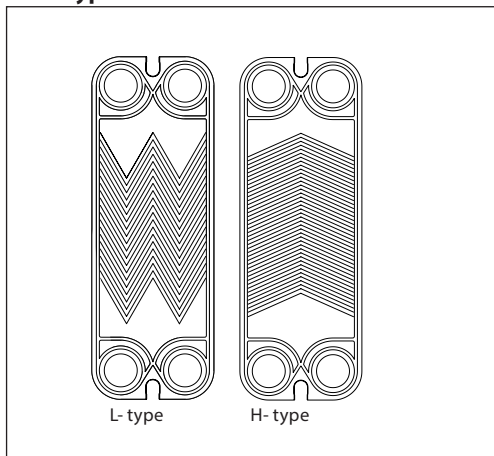
Explanation, XGF types

XGF 100 – 034H – 1 – 120 – Number of plates



Special versions for different mediums, connections / couplings, max. operating pressures, materials and capacities are available on request. Please contact the local sales representative for details.

Plate types L - H



The same principal difference can be obtained with other plate patterns as well.

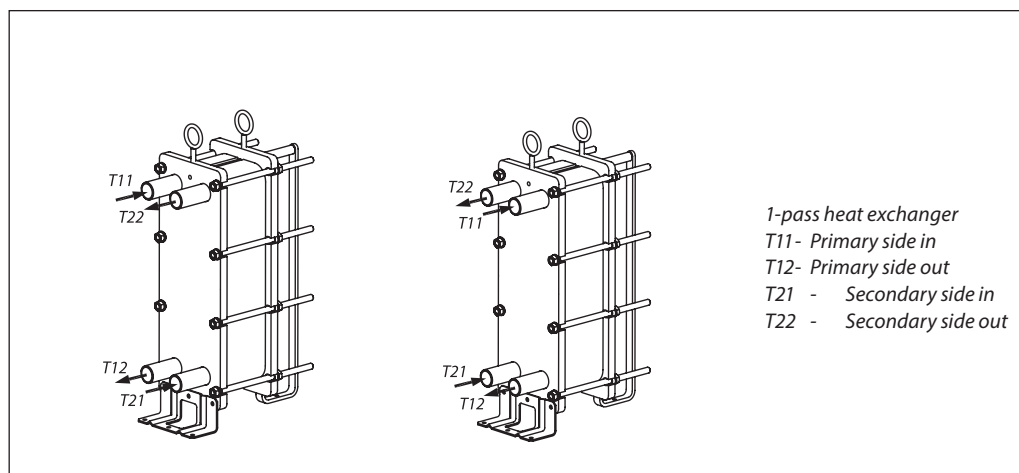
The heat exchanger can consist of plates type L or plates type H.

The H- type plate has larger herring bone angle than the L- type plate. H- type plate fits better for certain temperatures than L- type. H- type heat exchangers have better heating capacity, but they also have higher pressure loss.

Technical data

Type	XGF050-014		XGF065-019		XGF100-021		XGF150-041		XGF200-043		XGF250-113		XGF300-121	
	XGF050-020		XGF065-031		XGF100-022		XGF150-042		XGF200-065				XGF300-251	
					XGF100-036	XGF150-062	XGF200-100							
					XGF100-047	XGF150-086	XGF200-130							
					XGF100-064	XGF150-110								
					XGF100-034									
					XGF100-035									
					XGF100-050									
					XGF100-066									
Connection size	DN	50	64	100	150	200	250	300						
Working pressure	bar	10/16/25												
Max. operating temperature	°C	150												
Min. operating temperature		-10												
Flow medium	Circulation water / glycolic water up to 50%													
Connection type	Flange													
Material														
Plate	Stainless steel, AISI 304, AISI 316													
Gasket material, rubber	EPDM													

Design and function



The heat exchangers are made of shape-pressed heat plates between which the flow channels are created. Gaskets between the plates separate the flow channels from each other so that the flows do not mix. The heavy turbulence and counter-flow principle enables efficient heat transfer. The task of the heat exchanger is to transfer heat from the primary to secondary flow through a heat transfer plate thus preventing the flows from mixing with each other.

The plate heat exchanger with gaskets can be opened for cleaning and for replacement of plates and gaskets. A stepless output adjustment can be carried out by changing the number of plates.

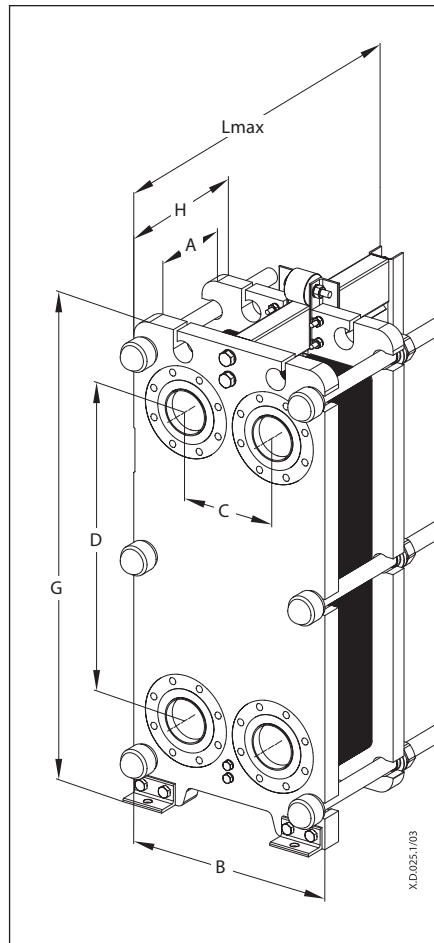
The choice of heat exchanger is determined by the desired heat output, required temperatures and the permitted pressure losses.

Assembly dimensions

Type	Mounting sizes, mm			
	A	B	D	Diameter of mounthole
XGF050-014	300	260	L + 60	18
XGF050-020	300	260		20
XGF065-019	395	255		18
XGF065-031	395	255		20
XGF100-021	495	380		18
XGF100-022	495	380		20
XGF100-036	495	395		18
XGF100-047	495	395		20
XGF100-064	495	395	L - 5	18
XGF100-034	495	380		20
XGF100-035	495	380		18
XGF100-050	510	395		20
XGF100-066	510	395	18	
XGF150-041	640	608	L - 50	18
XGF150-042	640	608		20
XGF150-062	640	608		18
XGF150-086	640	608		20
XGF150-110	640	608		18
XGF200-043	790	640	L + 80	25
XGF200-065	790	640		50
XGF200-100	790	640		50
XGF200-130	770	620	L - 25	25
XGF250-113	855	705		50
XGF300-121	970	820		25
XGF300-251	970	820		50

Note: L size you can find in the HEX selection sheet

Dimensions



Type	External dimensions [mm]				
	G	B	L _{max}	D	C
XGF050-014	994	300	1045	694	126
XGF050-020	1245	300	1045	694	126
XGF065-019	1000	395	1045	650	222
XGF065-031	1296	395	1045	650	222
XGF100-021	1178	495	2100	719	225
XGF100-022	1178	495	2100	719	225
XGF100-036	1523	495	2100	1065	225
XGF100-047	1753	495	2100	1365	225
XGF100-064	2162	495	2100	1771	225
XGF100-034	1108	495	2154	720	225
XGF100-035	1108	495	2144	720	225
XGF100-050	1603	510	2164	1138	225
XGF100-066	2021	510	2154	1556	225
XGF150-041	1450	608	3110	890	296
XGF150-042	1450	608	3110	890	296
XGF150-062	1852	608	3110	1292	296
XGF150-086	2254	608	3110	1694	296
XGF150-110	2654	608	3110	2094	296
XGF200-043	1502	790	3077	791	395
XGF200-065	1802	790	3077	1091	395
XGF200-100	2200	790	3077	1436	395
XGF200-130	2655	770	3225	1891	395
XGF250-113	2372	855	4100	1527	448
XGF300-121	2366	970	3150	1490	480
XGF300-251	3626	970	3160	2750	480