

PRODUCT INFORMATION PACKET

Model No: 056B17D11039
Catalog No: C354A
1/4,1800,DP,56C,1/60/115/230
Open Drip Proof (ODP)



Regal and Marathon are trademarks of Regal Beloit Corporation or one of its affiliated companies.

©2018 Regal Beloit Corporation, All Rights Reserved. MC017097E





Nameplate Specifications

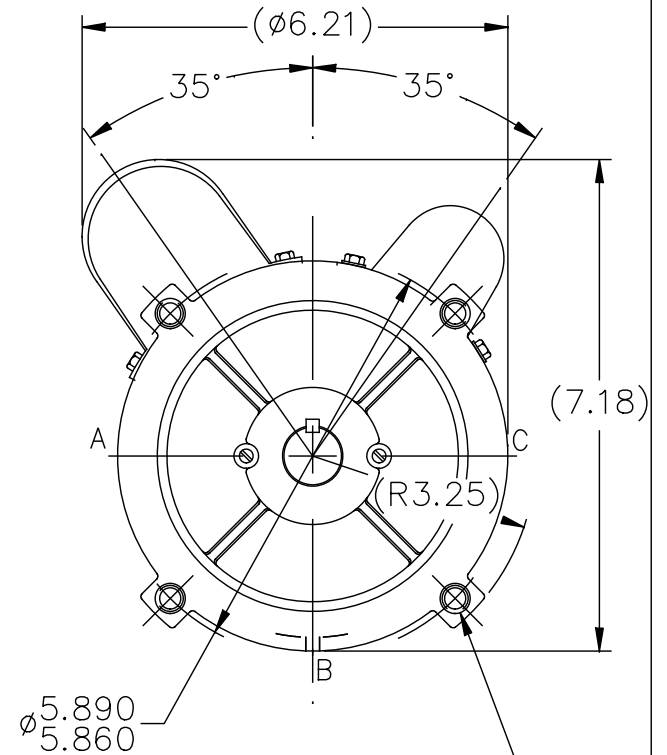
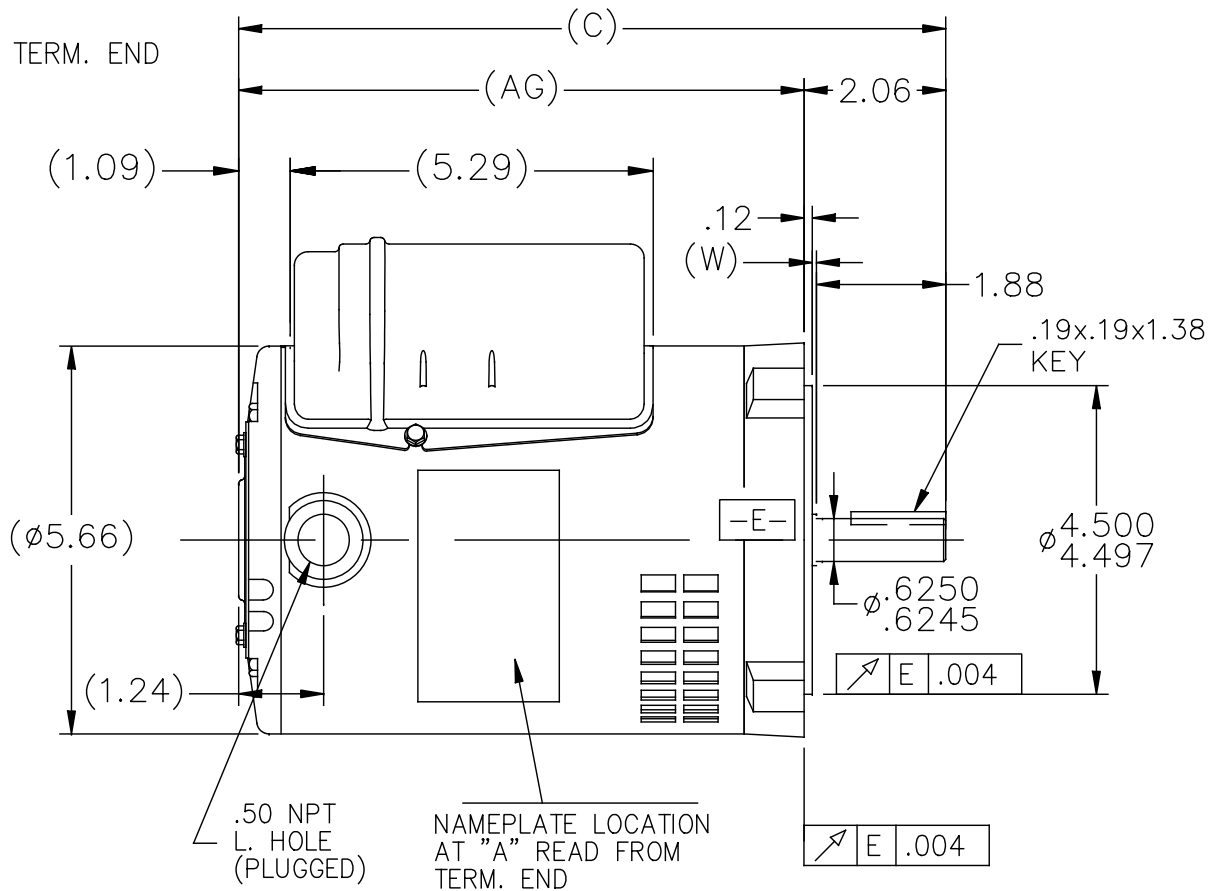
Output HP	0.25 Hp	Output KW	0.19 kW
Frequency	60 Hz	Voltage	115/230 V
Current	2.4/1.2 A	Speed	1725 rpm
Service Factor	1.35	Phase	1
Efficiency	68.5 %	Duty	Continuous
Insulation Class	B	Design Code	N
KVA Code	M	Frame	56C
Enclosure	Drip Proof	Overload Protector	Automatic
Ambient Temperature	40 °C	Drive End Bearing Size	6203
Opp Drive End Bearing Size	6203	UL	Recognized
CSA	Y	CE	Y
IP Code	22		

Technical Specifications

Electrical Type	Capacitor Start Capacitor Run	Starting Method	Across The Line
Poles	4	Rotation	Selective Counterclockwise
Mounting	Round	Motor Orientation	Horizontal
Drive End Bearing	Ball	Opp Drive End Bearing	Ball
Frame Material	Rolled Steel	Shaft Type	NEMA 56
Overall Length	10.31 in	Shaft Diameter	0.625 in
Shaft Extension	1.88 in	Assembly/Box Mounting	F1 Only
Outline Drawing	A-SS404231-675	Connection Diagram	EE9002F

This is an uncontrolled document once printed or downloaded and is subject to change without notice. Date Created: 06/29/2018

SS404231

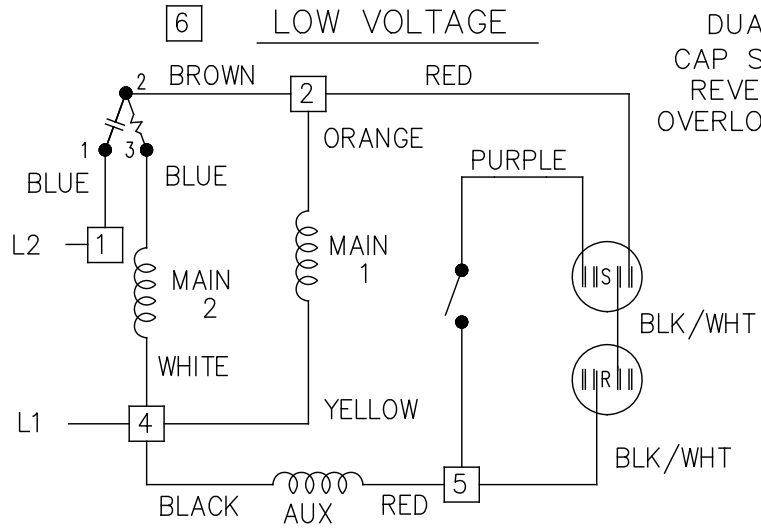


3/8-16 UNC-2B
.56 MIN. FULL THD.
4 HOLES

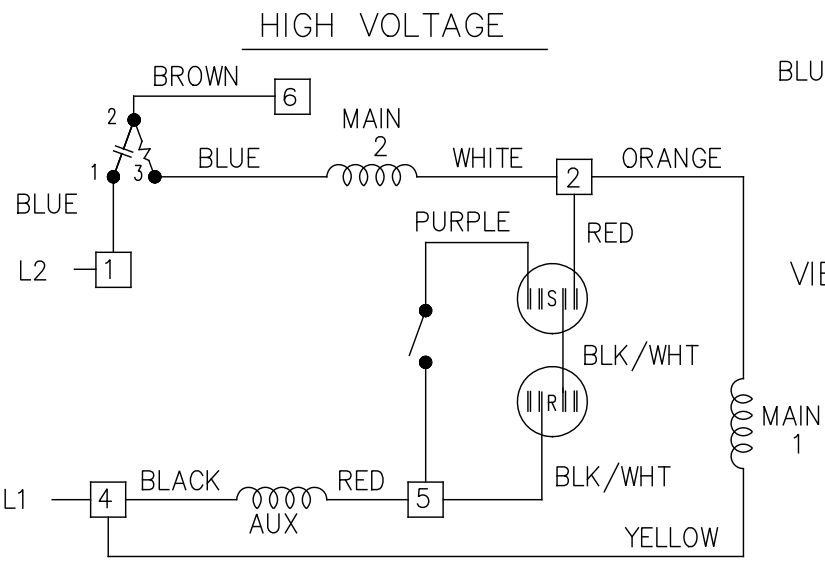
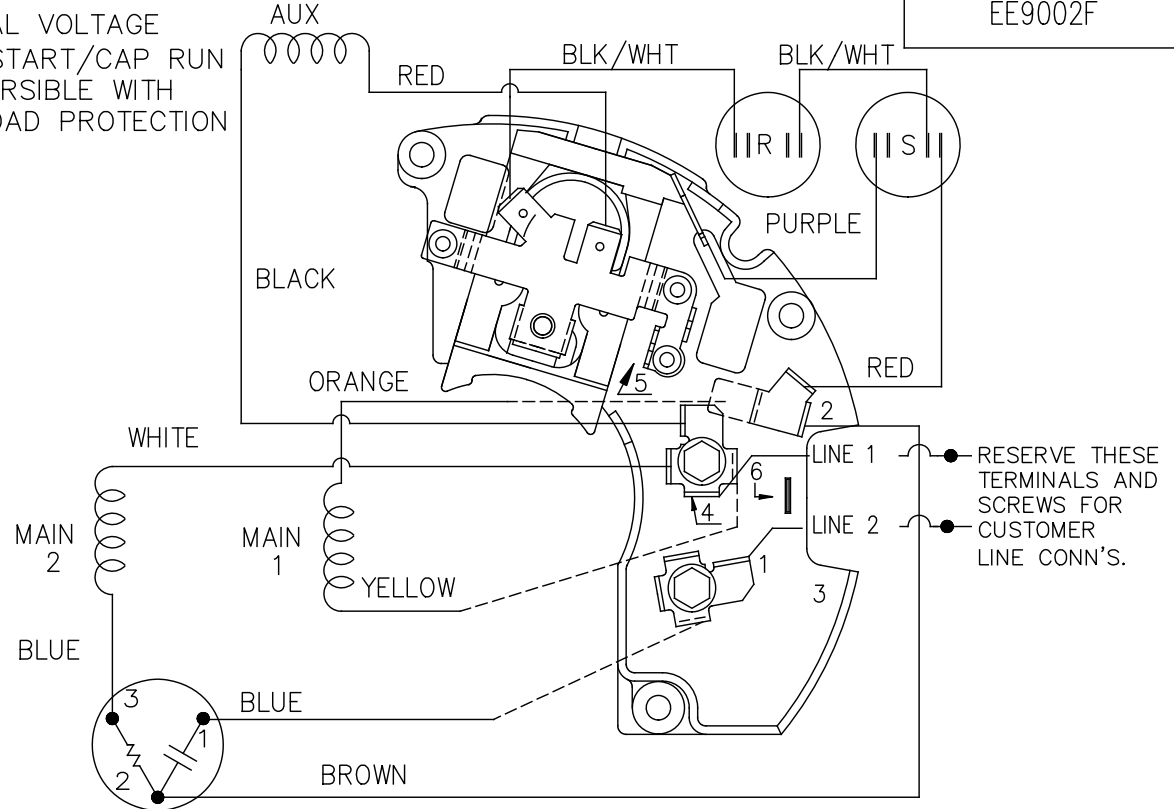
'W' = CLEARANCE ALLOWED FOR ALL VARIANCES
IN MANUFACTURING & ASSEMBLY

DASH	C	AG		DASH	C	AG	
625	9.81	7.75		725	10.81	8.75	
650	10.06	8.00		750	11.06	9.00	
675	10.31	8.25		775	11.31	9.25	
700	10.56	8.50		800	11.56	9.5	

				TOLERANCES UNLESS SPECIFIED		REGAL™ Regal Beloit America, Inc.	DRAWN AS 11/15/16	
				DEC.	INCHES		CHK	PVR 11/15/16
				.X	±.1	TITLE OUTLINE	APPD	SCALE 3=8
				.XX	±.03		REF	OLME154225
				.XXX	±.005		FMF	ME154225
				.XXXX	±.0005		PREV	
A	NEW DRAWING		AS 11/15/16	PVR	.XXXX ±.0005	MAT'L.		
NO.	REVISION		BY & DATE	CHK	ANG ±7'30"	FINISH		
THIS DRAWING IN DESIGN AND DETAIL IS OUR PROPERTY AND MUST NOT BE USED EXCEPT IN CONNECTION WITH OUR WORK ALL RIGHTS OF DESIGN AND INVENTION ARE RESERVED THIS IS AN ELECTRONICALLY GENERATED DOCUMENT - DO NOT SCALE THIS PRINT				RFP	CAD FILE SS404231		SIZE	DRAWING NO. PAGE 1 OF 1
				DIST	WP	A	SS404231	REV. A



DUAL VOLTAGE
CAP START/CAP RUN
REVERSIBLE WITH
OVERLOAD PROTECTION




LOW VOLTAGE CCW ROTATION SHOWN.

FOR HIGH VOLTAGE
CONNECT BROWN TERM 2 TO TERM 6.
CONNECT WHITE TERM 4 TO TERM 2.

TO REVERSE ROTATION EITHER
VOLTAGE INTERCHANGE RED
LEAD WITH BLACK LEAD.

DASH LINES INDICATE LEADS CONNECTED
TO MOTOR SIDE OF SWITCH.

5	REVISED LINE 2 LOCATION	RM 01-28-1991	TOLERANCES UNLESS SPECIFIED		 Regal Beloit America, Inc.	DRAWN ML 02-11-1988	
4	UPDATED SCHEMATIC PER CN 6014	DA 08-01-1990	DEC.	INCHES		CHK FG 02-11-1988	
3	RED LEAD FROM AUX WAS ON ANGLE TERM.	DA 07-02-1990	.X	± -		APPD DNR 03-11-1988	
	PURPLE LEAD WAS RED CN 6014		.XX	± -		SCALE 1=1	
2	ADDED CUSTOMER CONNECTION NOTE. CN 6011	BW 08-03-1989	.XXX	± -		TITLE CONNECTION DIAGRAM 48 FR. DUAL VOLTAGE REVERSIBLE	REF
1	NEW DRAWING	ML 08-19-1988	.XXXX	± -	MAT'L.	FMF	
NO.	REVISION	BY & DATE	CHK	ANG	± -	FINISH	PREV

THIS DRAWING IN DESIGN AND DETAIL IS OUR PROPERTY AND MUST NOT BE USED EXCEPT IN CONNECTION WITH OUR WORK ALL RIGHTS OF DESIGN AND INVENTION ARE RESERVED THIS IS AN ELECTRONICALLY GENERATED DOCUMENT - DO NOT SCALE THIS PRINT

RFP	CAD FILE EE9002F	SIZE A	DRAWING NO. EE9002F	PAGE OF	REV. 5
DIST WP					

CERTIFICATION DATA SHEET

Model#: 56B17D11039 A WINDING#: BE484113 NONE 3
 CONN. DIAGRAM: EE9002F ASSEMBLY: F1 ONLY
 OUTLINE: A-SS404231-675

TYPICAL MOTOR PERFORMANCE DATA

HP	KW	SYNC. RPM	F.L. RPM	FRAME	ENCLOSURE	KVA CODE	DESIGN
1/4	0.19	1800	1725	56C	DP	M	N

PH	Hz	VOLTS	FL AMPS	START TYPE	DUTY	INSL	S.F	AMB°C	ELEVATION
1	60	115/230	2.4/1.2	ACROSS THE LINE	CONTINUOUS	B3	1.35	40	3300

FULL LOAD EFF: 68.5	3/4 LOAD EFF: 65.7	1/2 LOAD EFF: 57.4	GTD. EFF	ELEC. TYPE	NO LOAD AMPS
FULL LOAD PF: 92.7	3/4 LOAD PF: 91.3	1/2 LOAD PF: 88.3	68.5	CAP START CAP RUN	1 / .5

F.L. TORQUE	LOCKED ROTOR AMPS	L.R. TORQUE	B.D. TORQUE	F.L. RISE°C
12 LB-FT	21.4 / 10.7	40.7 LB-FT 339	31 LB-FT 258	20

SOUND PRESSURE @ 3 FT.	SOUND POWER	ROTOR WK^2	MAX. WK^2	SAFE STALL TIME	STARTS /HOUR	APPROX. MOTOR WGT
0 dBA	10 dBA	0 LB-FT^2	0 LB-FT^2	10 SEC.	0	0 LBS.

*** SUPPLEMENTAL INFORMATION ***

DE BRACKET TYPE	ODE BRACKET TYPE	MOUNT TYPE	ORIENTATION	SEVERE DUTY	HAZARDOUS LOCATION	DRIP COVER	SCREENS	PAINT
C-FACE	STANDARD	ROUND	HORIZONTAL	FALSE	NONE	FALSE	NONE	GRAY (POWDER)

BEARINGS		GREASE	SHAFT TYPE	SPECIAL DE	SPECIAL ODE	SHAFT MATERIAL	FRAME MATERIAL
DE	OPE						
BALL	BALL	MULTEMP SRL	STANDARD 56	NONE	NONE	1144 STRESSPROOF (C-223)	ROLLED STEEL
6203	6203						

THERMO-PROTECTORS				THERMISTORS	CONTROL	SPACE /n HEATERS
THERMOSTATS	PROTECTORS	WDG RTDs	BRG RTDs			
NONE	AUTOMATIC	NONE	NONE	NONE	FALSE	NONE VOLTS

If Inverter equals NONE, contact factory for further information

*
N
O
T
E
S
*

INVERTER TORQUE: NONE
INV. HP SPEED RANGE: NONE
ENCODER: NONE
NONE NONE
NONE NONE PPR
BRAKE: NONE NONE
NONE P/N NONE
NONE NONE
NONE FT-LB NONE V NONE Hz

DATE: 06/27/2017 04:40:40 AM
 FORM 3531 REV.3 02/07/99
 ** Subject to change without notice.