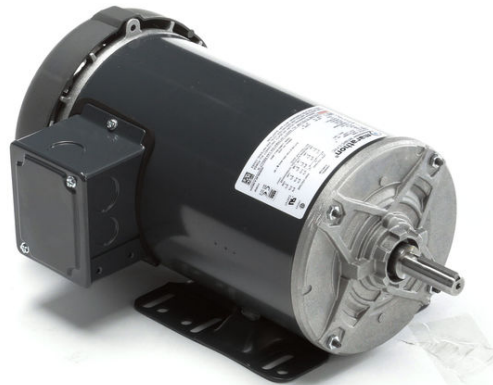


# PRODUCT INFORMATION PACKET

Model No: 056T34F15623  
Catalog No: G368A  
2,3600,TEFC,56H,3/60/575  
Totally Enclosed Fan Cooled (TEFC)



Regal and Marathon are trademarks of Regal Beloit Corporation or one of its affiliated companies.  
©2018 Regal Beloit Corporation, All Rights Reserved. MC017097E





### Nameplate Specifications

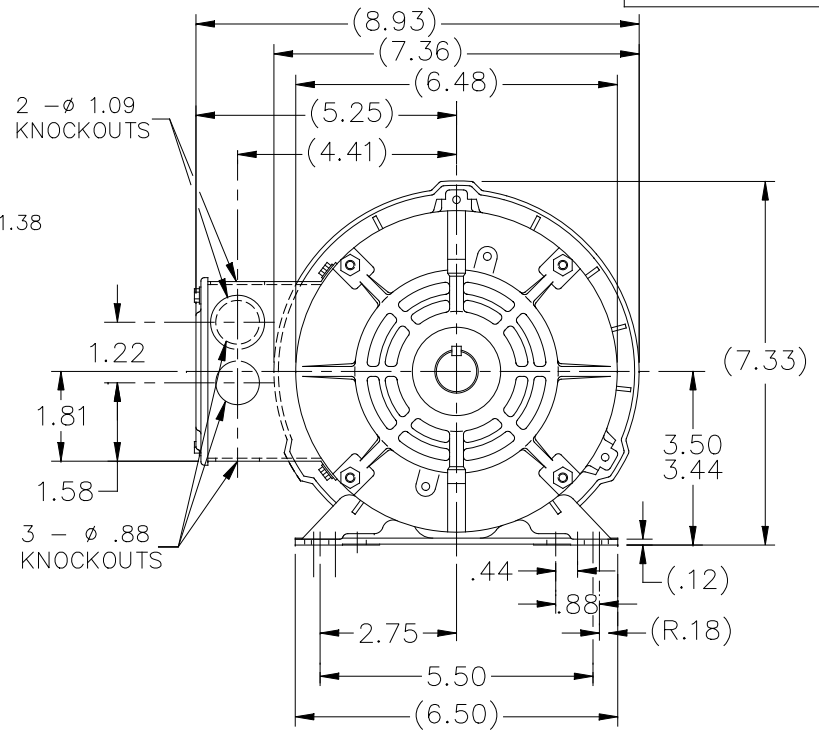
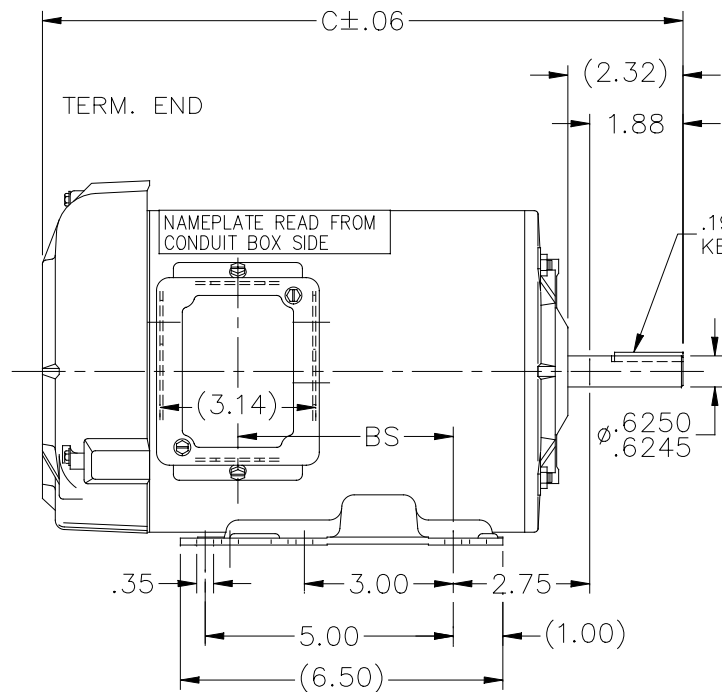
Output HP	<b>2 Hp</b>	Output KW	<b>1.5 kW</b>
Frequency	<b>60 Hz</b>	Voltage	<b>575 V</b>
Current	<b>2.0 A</b>	Speed	<b>3450 rpm</b>
Service Factor	<b>1.15</b>	Phase	<b>3</b>
Efficiency	<b>85.5 %</b>	Duty	<b>Continuous</b>
Insulation Class	<b>B</b>	Design Code	<b>B</b>
KVA Code	<b>K</b>	Frame	<b>56H</b>
Enclosure	<b>Totally Enclosed Fan Cooled</b>	Overload Protector	<b>No</b>
Ambient Temperature	<b>40 °C</b>	Drive End Bearing Size	<b>6205</b>
Opp Drive End Bearing Size	<b>6203</b>	UL	<b>Recognized</b>
CSA	<b>Y</b>	CE	<b>Y</b>
IP Code	<b>43</b>		

### Technical Specifications

Electrical Type	<b>Squirrel Cage Induction Run</b>	Starting Method	<b>Across The Line</b>
Poles	<b>2</b>	Rotation	<b>Reversible</b>
Mounting	<b>Rigid base</b>	Motor Orientation	<b>HORIZONTAL</b>
Drive End Bearing	<b>BALL</b>	Opp Drive End Bearing	<b>BALL</b>
Frame Material	<b>Rolled Steel</b>	Shaft Type	<b>NEMA 56</b>
Overall Length	<b>14.32 in</b>	Frame Length	<b>9.06 in</b>
Shaft Diameter	<b>0.625 in</b>	Shaft Extension	<b>2.32 in</b>
Assembly/Box Mounting	<b>F1 ONLY</b>		
Outline Drawing	<b>A-100107-906</b>	Connection Diagram	<b>EE7300</b>

This is an uncontrolled document once printed or downloaded and is subject to change without notice. Date Created: 10/30/2018

100107



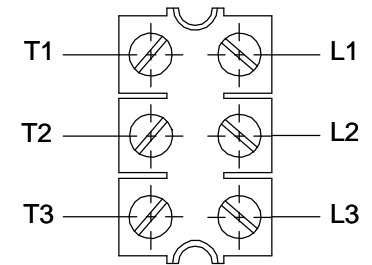
DASH	FR.	C	BS
656	56-65	11.82	3.25
706	56-70	12.32	3.75
756	56-75	12.82	4.25
906	56-70	14.32	5.75

		TOLERANCES UNLESS SPECIFIED		MARATHON ELECTRIC		DRAWN MRB 01-29-1997				
		DEC.	INCHES			CHK	ML 01-29-1997			
		X	±.1			APPD	GK 01-29-1997			
5	ADDED # 906	PVR	05-29-2017	.XX	±.03	SCALE 5=16				
4	REDRAWN IN AUTOCAD	TAT	06-29-2004	ML	.XXX ±.005	REF				
3	REDRAWN ON CADD - NO CHANGE	MRB	01-29-1997	.XXXX	±.0005	FMF				
NO.	REVISION	BY & DATE	CHK	ANG	±'30"	FINISH	PREV			
THIS DRAWING IN DESIGN AND DETAIL IS OUR PROPERTY AND MUST NOT BE USED EXCEPT IN CONNECTION WITH OUR WORK ALL RIGHTS OF DESIGN AND INVENTION ARE RESERVED THIS IS AN ELECTRONICALLY GENERATED DOCUMENT - DO NOT SCALE THIS PRINT				RFP		CAD FILE 100107	SIZE A	DRAWING NO. 100107	PAGE OF 4	REV. 4
				DIST	WP					

**THREE PHASE - SINGLE VOLTAGE  
MOTOR - CONDUIT BOX @ 'A'**

**TO REVERSE ROTATION:  
INTERCHANGE ANY TWO  
LINE LEAD CONNECTIONS.**

**TERMINAL BLOCK WHEN SPECIFIED**



**VIEW OF TERMINAL END**

**IF MOTOR HAS  
6 LEADS**



A-9806 DECAL

**OPTIONAL CORD  
CONNECTION**



DRAWING REVISION AB	REVISION BY JJB	DATE 06-27-2017
ECO ECO-0125361	APPROVED BY TB	DATE 06-27-2017

**ECO DESCRIPTION**  
**UPDATED TO CURRENT STANDARDS**  
COPYRIGHT REGAL BELOIT AMERICA, INC. ALL RIGHTS RESERVED.  
PROPRIETARY AND CONFIDENTIAL INFORMATION - THIS DOCUMENT IS THE PROPERTY OF  
REGAL BELOIT AMERICA, INC. ("OWNER") AND CONTAINS OWNER'S PROPRIETARY  
INFORMATION. ANY PERSON, CORPORATION OR OTHER FIRM RECEIVING IT IS DEEMED,  
BY RECEIVING IT, TO AGREE THAT IT, AND/OR ANY PART OF IT, SHALL NOT BE DISCLOSED  
TO ANY PERSON, CORPORATION OR OTHER ENTITY, DUPLICATED, AND/OR USED, EXCEPT  
AS EXPRESSLY APPROVED IN WRITING IN ADVANCE BY OWNER. THIS DOCUMENT SHALL  
BE RETURNED TO OWNER UPON REQUEST. IT MAY BE SUBJECT TO CERTAIN  
RESTRICTIONS UNDER APPLICABLE EXPORT CONTROL LAWS AND REGULATIONS.

DRAWN BY DA	
DATE 03-26-1993	
APPROVED BY TB	
DATE 03-26-1993	
REFERENCE	
THIRD ANGLE PROJECTION	

		Regal Beloit America, Inc.	
DESCRIPTION <b>CONNECTION DIAGRAM</b> EXTERNAL - SINGLE VOLTAGE - 3Ø MOTOR			
MATERIAL		PROCESS/FINISH	
SIZE <b>A</b>	DRAWING NUMBER <b>EE7300</b>		SHEET 1 OF 1



P.O. BOX 8003  
WAUSAU, WI 54401-8003  
PH. 715-675-3311

DATA VOLTS: 460

CERTIFICATION DATA SHEET

CUSTOMER: \_\_\_\_\_ CUSTOMER P.O. #: \_\_\_\_\_  
 ORDER #: \_\_\_\_\_ REFERENCE MODEL #: 56T34F15623  
 CONN. DIAGRAM: EE7300 CAT #: G368A  
 OUTLINE: TBD ZT2142 FR 5 CUSTOMER PART #: \_\_\_\_\_  
 WINDING: \_\_\_\_\_ MOUNTING: F1 ONLY  
 SPEED: \_\_\_\_\_

TYPICAL MOTOR PERFORMANCE DATA

HP	KW	SYNC RPM	FL RPM	FRAME	ENCLOSURE	TYPE	KVA CODE	DESIGN	
2	1.5	3600	3500	56H	TEFC	TEF	K	B	
PH	HZ	VOLTS	AMPS	START TYPE	DUTY	INSL	S.F.	AMB	ELEV.
3	60	575	2	ACROSS-THE LINE	CONT	B	1.15	40	3300
		F.L. EFF	85.5	3/4 LD EFF	85.9	1/2 LD EFF	84.0	GTD EFF	ELECT. TYPE
		F.L. PF	86.0	3/4 LD PF	82.0	1/2 LD PF	72.5	84.0	SQ CAGE IND RUN
F.L. TORQUE		LR AMPS @ 460 V	L.R. TORQUE		B.D. TORQUE		F.L. RISE (°C)		
3.0 LB-FT		17.4	9.5	LB-FT	317%	12.2	LB-FT	407%	36
@ 3 FT. DBA		POWER	ROTOR WK <sup>2</sup>	MAX. LOAD WK <sup>2</sup>	SAFE STALL TIME	START/SHOUR	MOTOR WGT		
69		78 DBA	0.07 LB-FT <sup>2</sup>	4 LB-FT <sup>2</sup>	20 SEC.	2	80 LB.		

\*\*\* SUPPLEMENTAL INFORMATION \*\*\*

DE BRACKET TYPE	ODE BRACKET TYPE	MOUNT TYPE	MOTOR ORIENTATION	SEVERE DUTY	HAZARDOUS LOCATION	DRIP COVER	SCREENS	PAINT
STANDARD	BRAKE	RIGID	HORIZONTAL	NO	NONE	YES	NONE	GRAY (POWDER)

BEARINGS	GREASE	SHAFT TYPE	SPECIAL DE	SPECIAL ODE	SHAFT	MATERIAL	FRAME MATERIAL
DE BALL 6203	POLYREX EM	STANDARD 56	NONE	NONE	1144	STRESSPROOF (C-223)	ROLLED STEEL

THERMOSTATS	PROTECTORS	WDG RTD's	BRG RTD's	THERMISTORS	CONTROL	SPACE HEATERS
NONE	NOT	NONE	NONE	NONE	FALSE	NA

R1 (ohms/ph)	R2 (ohms/ph)	X1 (ohms/ph)	X2 (ohms/ph)	Xm (ohms/ph)	VIBRATION (in/sec)	FLOAT
6.878	4.881	10.206	8.633	326.156	0.150	ODE

* _____		INVERTER TORQUE: NONE	
O _____		INV. HP SPEED RANGE: NONE	
T _____		ENCODER: NONE	
E _____		NONE	
S _____		BRAKE: NONE	
		NONE	
		FT-LB: NA	
		VOLTAGE: NONE	
		NONE	
		UL: V/INS, CONST UL REC	
		HZ:	

PREPARED BY: FAREEDA DUDEKULA  
 DATE: 9/10/2018

FORM: 3531 REV 4 2/27/06

