

# PRODUCT INFORMATION PACKET

Model No: 215TTFBA6079  
Catalog No: GT1314  
5,1200,TEFC,215TC,3/60/230/460  
Totally Enclosed Fan Cooled (TEFC)



Regal and Marathon are trademarks of Regal Beloit Corporation or one of its affiliated companies.  
©2018 Regal Beloit Corporation, All Rights Reserved. MC017097E





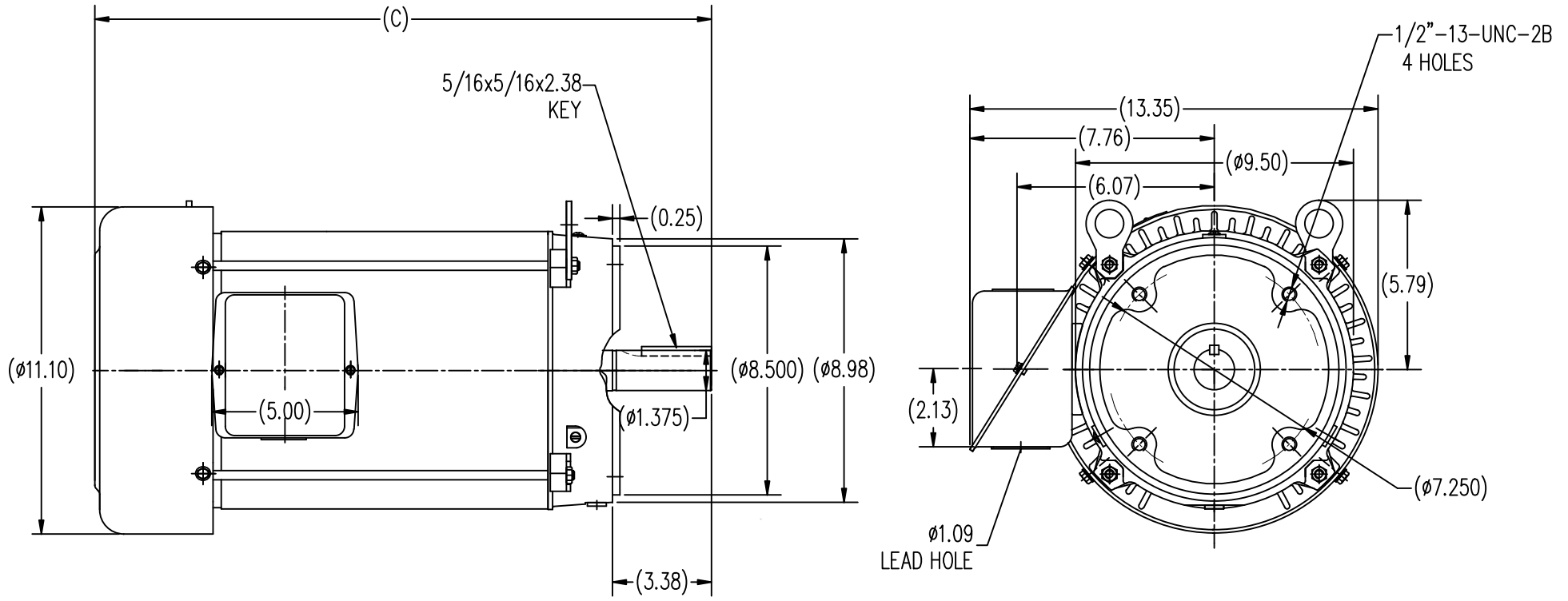
### Nameplate Specifications

Output HP	<b>5 Hp</b>	Output KW	<b>3.7 kW</b>
Frequency	<b>60 Hz</b>	Voltage	<b>230/460 V</b>
Current	<b>14.0/7.0 A</b>	Speed	<b>1182 rpm</b>
Service Factor	<b>1.15</b>	Phase	<b>3</b>
Efficiency	<b>89.5 %</b>	Duty	<b>Continuous</b>
Insulation Class	<b>F</b>	Design Code	<b>B</b>
KVA Code	<b>K</b>	Frame	<b>215TC</b>
Enclosure	<b>Totally Enclosed Fan Cooled</b>	Overload Protector	<b>No</b>
Ambient Temperature	<b>40 °C</b>	Drive End Bearing Size	<b>6307</b>
Opp Drive End Bearing Size	<b>6206</b>	UL	<b>Recognized</b>
CSA	<b>Y</b>	CE	<b>Y</b>
IP Code	<b>43</b>		


### Technical Specifications

Electrical Type	<b>Squirrel Cage Induction Run</b>	Starting Method	<b>Across The Line</b>
Poles	<b>6</b>	Rotation	<b>Reversible</b>
Mounting	<b>Round</b>	Motor Orientation	<b>Horizontal</b>
Drive End Bearing	<b>Ball</b>	Opp Drive End Bearing	<b>Ball</b>
Frame Material	<b>Rolled Steel</b>	Shaft Type	<b>T</b>
Overall Length	<b>21.02 in</b>	Shaft Diameter	<b>1.375 in</b>
Shaft Extension	<b>3.38 in</b>	Assembly/Box Mounting	<b>F1/F2 Capable</b>
Outline Drawing	<b>B-SS620308</b>	Connection Diagram	<b>A-EE7308</b>

This is an uncontrolled document once printed or downloaded and is subject to change without notice. Date Created: 06/28/2018

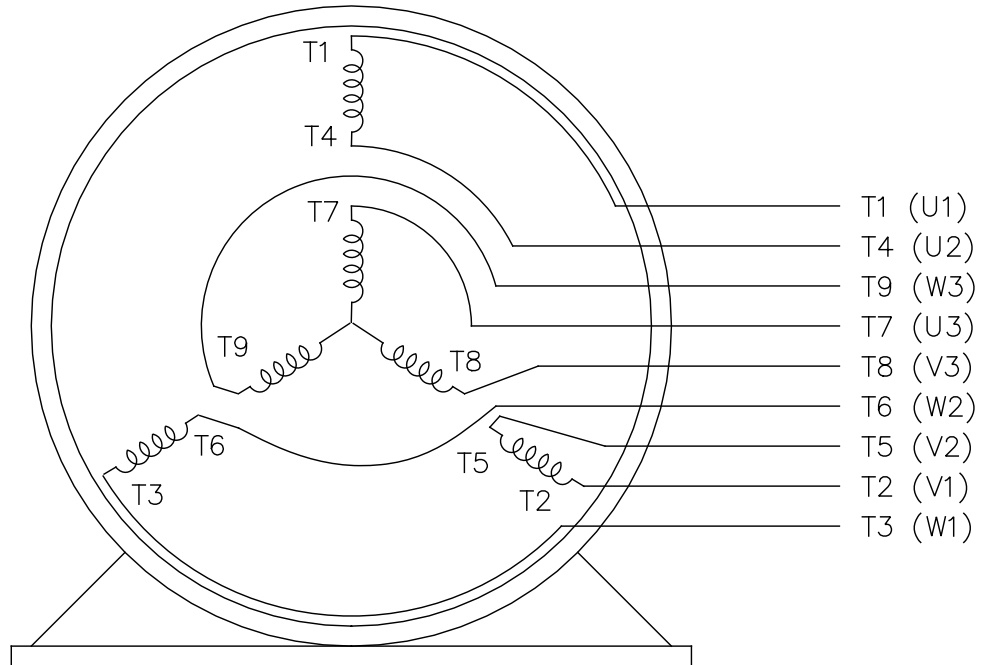
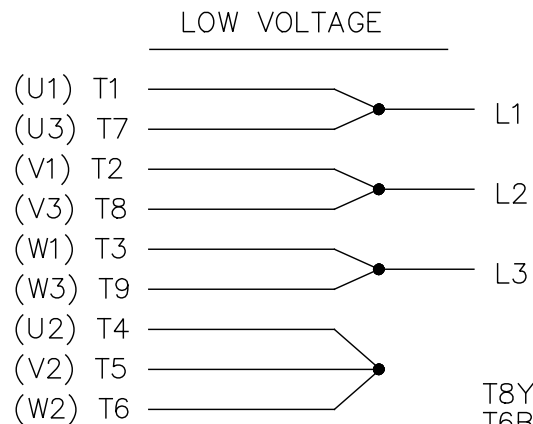
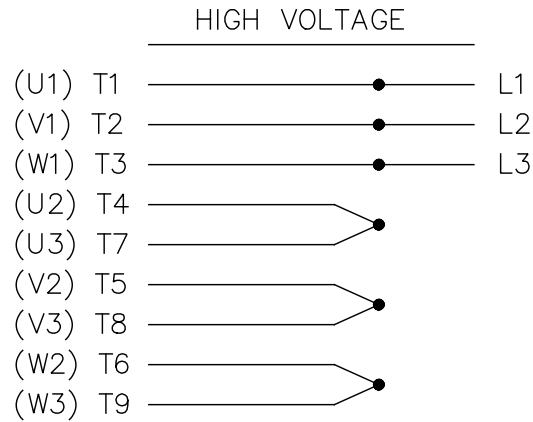


213TC	19.53
215TC	21.02
FRAME	C

		TOLERANCES UNLESS SPECIFIED		 <b>REGAL-BELOIT CORPORATION</b>		DRAWN SY 4-19-2010					
		DEC.	INCHES			CHK HZJ 4-19-2010					
		.X	±.1	TITLE		APPD CL 4-19-2010	SCALE 1=4				
		.XX	±.03	NEMA-PREMIUM TTFBA 213T/215TC		REF					
		.XXX	±.005	MAT'L		FMF HWADA					
		.XXXX	±.0005	FINISH		PREV					
NO.	REVISION	BY & DATE	CHK	ANG	±1/2	RFP	CAD FILE	SS620308	SIZE	DRAWING NO.	REV.
THIS DRAWING IN DESIGN AND DETAIL IS OUR PROPERTY AND MUST NOT BE USED EXCEPT IN CONNECTION WITH OUR WORK. ALL RIGHTS OF DESIGN AND INVENTION ARE RESERVED. THIS IS AN ELECTRONICALLY GENERATED DOCUMENT - DO NOT SCALE THIS PRINT.						DIST	B	SS620308			

EE7308

THREE PHASE  
DUAL VOLTAGE MOTOR



VIEW OF TERMINAL END

REF.  
WINDING DIAGRAM

T8Y, T2Y, T2BL, T4BX, T2EC, T2G  
T6BZ, T2B, T6BL, T4AV, T6B, T4B

OPTIONAL CORD  
CONNECTION

L1 — WHITE  
L2 — RED  
L3 — BLACK

NO.		REVISION		BY & DATE		CHK		ANG		FINISH		PREV	
5	CHG TO REGAL LOGO	SL	09/10/2015	AB									
4	REVISED IEC NOTATIONS	MSG	11/15/2011	CMN	.X	±.1							
3	ADDED IEC NOTATIONS... (U1), (V1) ETC. MU95194	MSG	5/10/2010	MJS	.XX	±.02							
2	ADDED THE OPTIONAL CORD CONNECTION MU46318	RDH	04/24/2003	DRS	.XXX	±.005							
1	REDRAWN	RM	11/20/1990		.XXXX	±.0005							
THIS DRAWING IN DESIGN AND DETAIL IS OUR PROPERTY AND MUST NOT BE USED EXCEPT IN CONNECTION WITH OUR WORK ALL RIGHTS OF DESIGN AND INVENTION ARE RESERVED THIS IS AN ELECTRONICALLY GENERATED DOCUMENT - DO NOT SCALE THIS PRINT		RFP		CAD FILE	ee7308		SIZE	DRAWING NO.		PAGE	OF	REV.	
		DIST	WP	A	EE7308							5	

**REGAL**™ Regal Beloit America, Inc. DRAWN RM 11/20/1990  
CHK ML 11/21/1990  
APPD SAS 04/24/2003

TITLE CONNECTION DIAGRAM  
3Ø - DUAL VOLTAGE MOTOR SCALE 1=1  
REF

MAT'L. FMP



Data Sheet

Date: 19-06-2017  
 Customer: \_\_\_\_\_  
 Attention: \_\_\_\_\_  
 Submitted by: FAREEDA DUDEKULA



215TTFBA6079

Submittal

Data @ 460 V

Motor Load Data

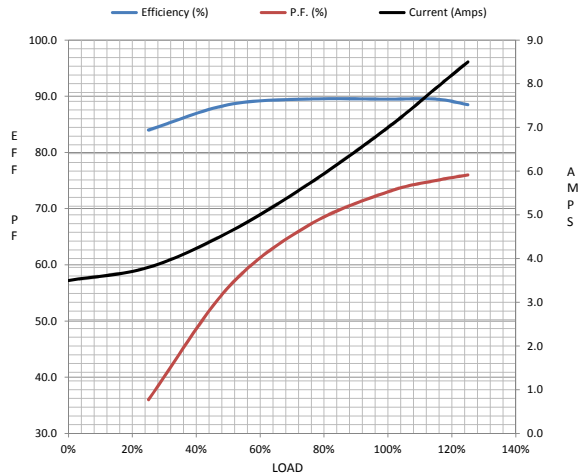
Load	0%	25%	50%	75%	100%	115%	125%	LR
Current (Amps)	3.5	3.8	4.6	5.7	7.0	7.9	8.5	51.0
Torque (ft-lb)	0.00	5.5	11.0	16.6	22.2	25.7	28.0	45.0
RPM	1200	1195	1192	1188	1182	1,180	1176	0
Efficiency (%)		84.0	88.5	89.5	89.5	89.5	88.5	
P.F. (%)	5.0	36.0	56.0	67.0	73.0	75.0	76.0	35.0

Motor Speed Data

	LR	Pull-Up	BD	Rated	Idle
Speed (RPM)	0	600	1100	1182	1200
Current (Amps)	51.0	45.0	30.5	7.0	3.5
Torque (ft-lb)	45.0	40.0	75.0	22.2	0.00

Information Block

HP	5.0			
Sync. RPM	1200			
Frame	215			
Enclosure	TEFC			
Construction	TFC			
Voltage	30/460#190/38V			
Frequency	60 Hz			
Design	B			
LR Code letter	K			
Service Factor	1.15			
Temp Rise @ FL	30 ° C			
Duty	CONT			
Ambient	40 ° C			
Elevation	1,000 feet			
Rotor/Shaft wk <sup>2</sup>	1.50 Lb-Ft <sup>2</sup>			
Ref Wdg	CHT21560001 NONE			
Sound Pressure @ 1M	55 dBA			
VFD Rating	NONE			
Outline Dwg	B-SS620308			
Conn. Diag	A-EE7308			
Additional Specifications:				
0				
365THFS8036				
EQUIV CKT (OHMS / PHASE)				
R1	R2	X1	X2	Xm
0.9660	0.6250	4.3170	6.1910	73.2720



Speed -Torque Curve

