

PRODUCT INFORMATION PACKET



Model No: LM32846
Catalog No: LM32846
1 HP General Purpose Motor, 3 phase, 1200 RPM, 230/460 V, 145TC Frame, TEFC
Three Phase TEFC Motors



Regal and Leeson are trademarks of Regal Beloit Corporation or one of its affiliated companies.
©2019 Regal Beloit Corporation, All Rights Reserved. MC017097E





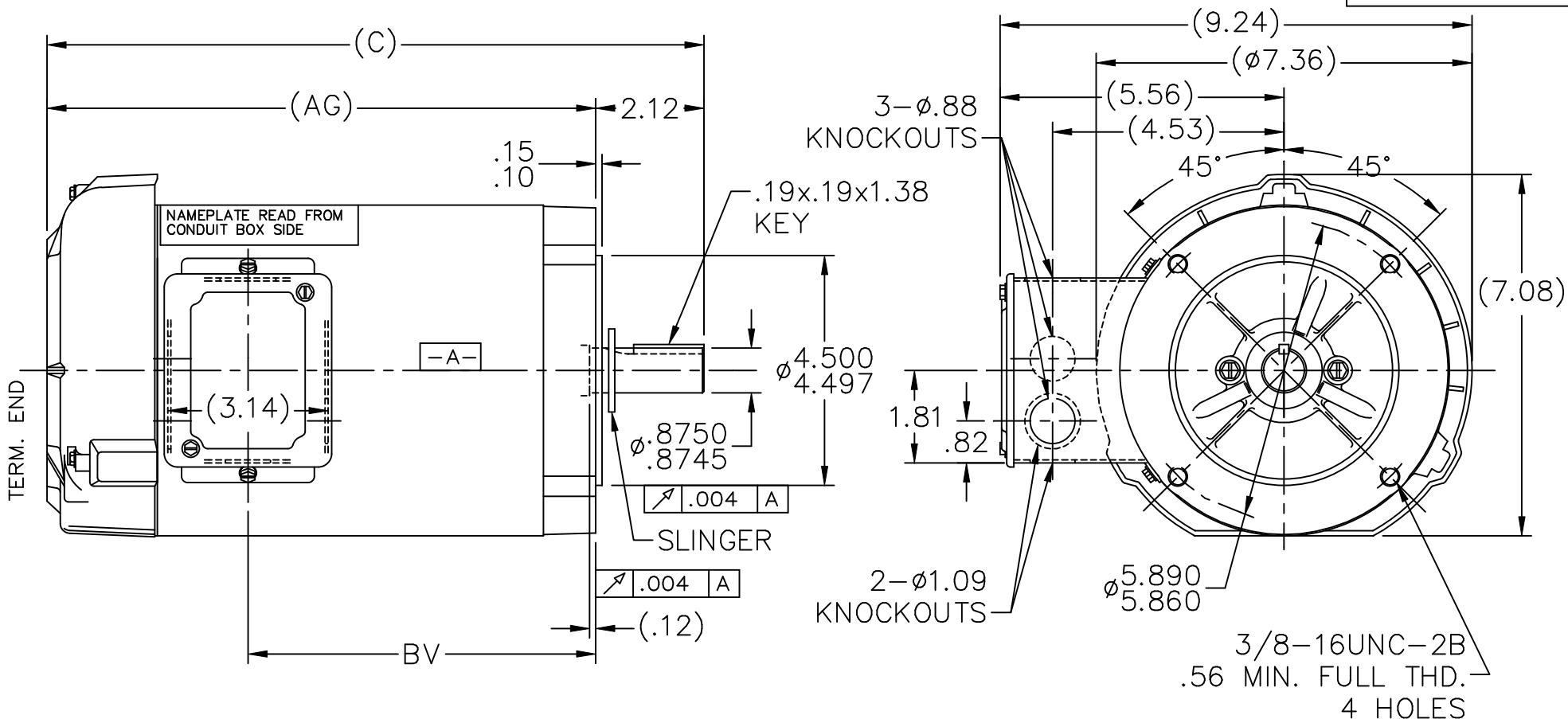
Nameplate Specifications

Output HP	1 Hp	Output KW	0.75 kW
Frequency	60 Hz	Voltage	230/460 V
Current	3.6/1.8 A	Speed	1155 rpm
Service Factor	1.15	Phase	3
Efficiency	82.5 %	Power Factor	63
Duty	Continuous	Insulation Class	F
Design Code	B	KVA Code	K
Frame	145TC-75	Enclosure	Totally Enclosed Fan Cooled
Thermal Protection	No	Ambient Temperature	40 °C
Drive End Bearing Size	6205	Opp Drive End Bearing Size	6203
UL	Recognized	CSA	Y
CE	N	IP Code	43

Technical Specifications

Electrical Type	Squirrel Cage Induction Run	Starting Method	Across The Line
Poles	6	Rotation	Reversible
Resistance Main	0 Ohms	Mounting	Round
Motor Orientation	Horizontal	Drive End Bearing	Ball
Opp Drive End Bearing	Ball	Frame Material	Rolled Steel
Shaft Type	T	Overall Length	14.37 in
Frame Length	9.06 in	Shaft Diameter	0.875 in
Shaft Extension	2.12 in	Assembly/Box Mounting	F1/F2 CAPABLE

This is an uncontrolled document once printed or downloaded and is subject to change without notice. Date Created:01/11/2019

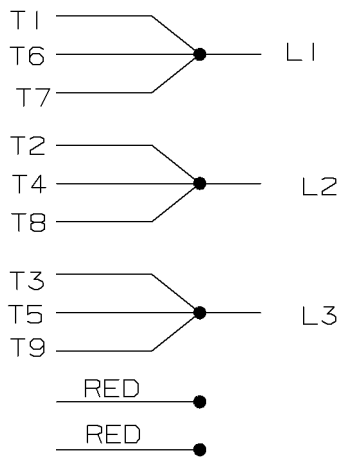


DASH	FR.	C	AG	BV	DASH	FR.	C	AG	BV
656	140T	11.87	9.75	5.81	856	140T	13.87	11.75	7.81
706	140T	12.37	10.25	6.31	906	140T	14.37	12.25	8.31
756	140T	12.87	10.75	6.81	956	140T	14.87	12.75	8.81
806	140T	13.37	11.25	7.31	1006	140T	15.37	13.25	9.31

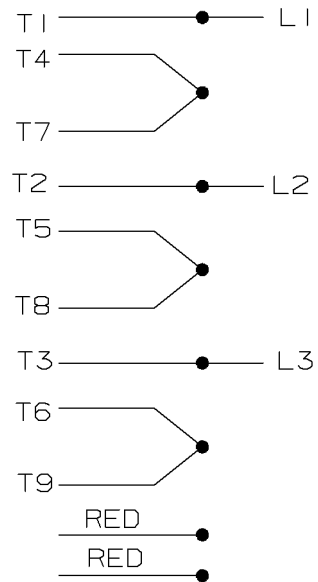
NOTE:
CONDUIT BOX CAN BE ROTATED 180°

				TOLERANCES UNLESS SPECIFIED		Lincoln MOTORS	DRAWN TRB 07-27-1999				
				DEC.	INCHES		CHK	ML	07-27-1999		
				.X	±.1	TITLE OUTLINE 140 FR. - TEFC 3 ϕ	APPD GK 07-27-1999				
				.XX	±.03		SCALE 1=3				
2	ADDED PACKAGING DIMENSIONS	CN 27400-400	TRB 09-16-1999	.XXX	±.005	MAT'L.	REF				
1	NEW DRAWING		TRB 07-27-1999	.XXXX	±.0005		FINISH	FMF			
NO.	REVISION	BY & DATE	CHK	ANG	±7'30"			PREV			
THIS DRAWING IN DESIGN AND DETAIL IS OUR PROPERTY AND MUST NOT BE USED EXCEPT IN CONNECTION WITH OUR WORK ALL RIGHTS OF DESIGN AND INVENTION ARE RESERVED THIS IS AN ELECTRONICALLY GENERATED DOCUMENT - DO NOT SCALE THIS PRINT				RFP		CAD FILE 100105LN	SIZE	DRAWING NO.	PAGE	OF	REV.
				DIST	WP		A	100105LN			2

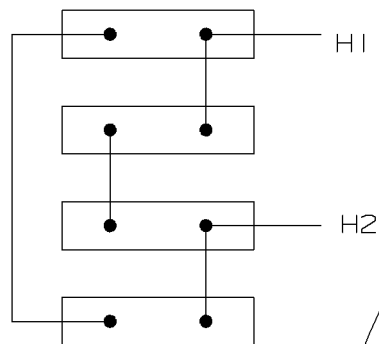
LOW VOLTAGE



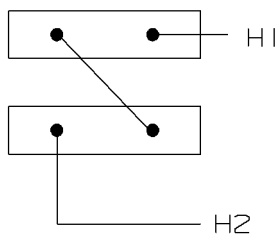
HIGH VOLTAGE



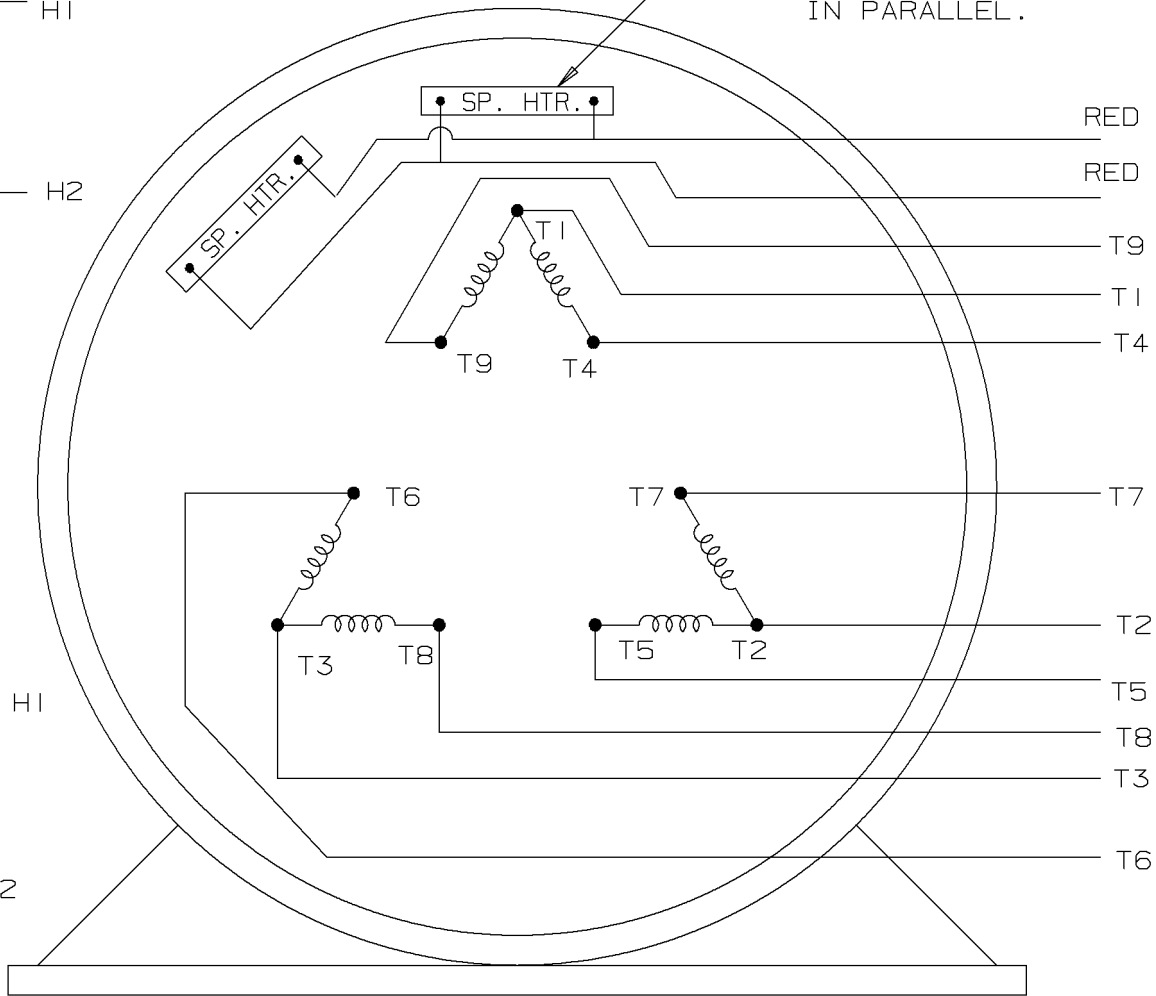
SPACE HEATERS CONNECTED IN SERIES PARALLEL



SPACE HEATERS CONNECTED IN SERIES



SPACE HEATER CONNECTED IN PARALLEL.



VIEW OF TERMINAL END

						✓ UNLESS OTHERWISE SPECIFIED DIMENSIONS ARE IN INCHES TOL. ON XX± .03 XXX± .005 XXXX± .0005 ANGLES± 7°30"	
						MAX. SURFACE ROUGHNESS UNLESS OTHERWISE NOTED	
						DRAWN BY CAV 04-14-2000	
						FINISH	
						CHKD BY DRS 04-14-2000	
						MATERIAL	
						APPD BY TB 04-14-2000	
REV	DATE	CHANGE	NAME	PART NAME CONNECTION DIAGRAM			DRWG NO
1	04-14-2000	NEW DRAWING	CAV	DELTA CONN. - 3Ø - 1-2CKT/SPACE HTR.			A- EE7308U-LN
				PURCHASED	CADD FILE NO.	EE7308U-LN	

ERROR: undefined
OFFENDING COMMAND: sc

STACK:

1

1

-savelevel-



1051 CHEYENNE AVE.
 GRAFTON, WI 53024
 PH. 262-277-8810

DATA VOLTS: 460

CERTIFICATION DATA SHEET

CONN. DIAGRAM: A-EE7308-LN
 OUTLINE: 100105LN
 WINDING: ZT6140

NONE 3

CAT #:

LM32846

TYPICAL MOTOR PERFORMANCE DATA

HP	KW	SYNC RPM	FL RPM	FRAME	ENCLOSURE	TYPE	KVA CODE	DESIGN	
1	0.75	1200	1155	145TC	EPFC	TFN	K	B	
PH	HZ	VOLTS	AMPS	START TYPE	DUTY	INSL	S.F.	AMB	ELEV.
3	60	230/460	3.6/1.8	ACROSS THE LINE	CONT	F	1.15	40	3300
F.L. EFF	82.5	3/4 LD EFF	81.9	1/2 LD EFF	78.7	GTD EFF	80.0	ELECT. TYPE	SQ CAGE IND RUN
F.L. PF	63.0	3/4 LD PF	54.0	1/2 LD PF	41.5				

F.L. TORQUE	LR AMPS @ 460 V	L.R. TORQUE	253%	B.D. TORQUE	371%	F.L. RISE (° C)	35	
4.5 LB-FT	11.0	11.4 LB-FT	0	16.7 LB-FT	0		50 LB.	
PRESSURE @ 3	SOUND	POWER	ROTOR WK ²	MAX. LOAD WK ²	SAFE STALL TIME	STARTS/HOUR	MOTOR WGT	
62	dbA	71	dbA	0.14	LB-FT ²	20	SEC.	0

***** SUPPLEMENTAL INFORMATION *****

DE BRACKET TYPE	ODE BRACKET TYPE	MOUNT TYPE	MOTOR ORIENTATION	SEVERE DUTY	HAZARDOUS LOCATION	DRIP COVER	SCREENS	PAINT
C-FACE	STANDARD	ROUND	HORIZONTAL	NO	NONE	NO	NONE	WATTS/SAVER
BEARINGS	GREASE	SHAFT TYPE	SPECIAL DE	SPECIAL ODE	SHAFT MATERIAL	FRAME MATERIAL		
DE ODE								
BALL BALL	POLYREX EM	T	NONE	NONE	1144 STRESSPROOF (C-223)	ROLLED STEEL		
6205	6203							

THERMOSTATS	PROTECTORS	WDG RTD's	BRG RTD's	THERMISTORS	CONTROL	SPACE HEATERS
NONE	NOT	NONE	NONE	NONE	FALSE	NA
R1 (ohms/ph)	R2 (ohms/ph)	X1 (ohms/ph)	X2 (ohms/ph)	Xm (ohms/ph)	VIBRATION (in/sec)	FLOAT
0	0	0	0	0	0.150	ODE

INVERTER TORQUE: NONE
 INV. HP SPEED RANGE: NONE

ENCODER: NONE
 NONE
 NONE

BRAKE: NONE
 NONE
 NONE PPR

DATE:

9/11/2018

UL: V-INS, CONST UL REC

FT-LB: N/A
 VOLTAGE: NONE
 HZ:



Motor Load Data

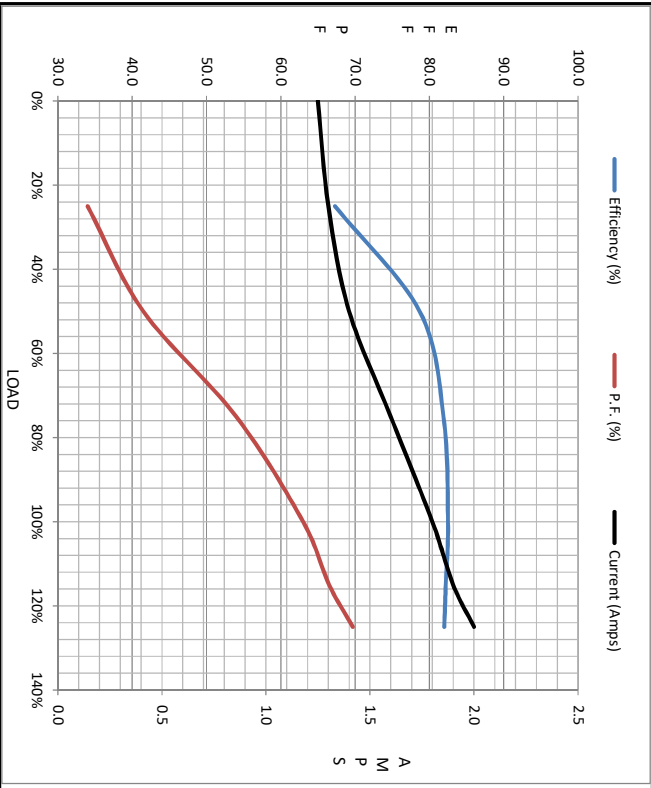
Load	0%	25%	50%	75%	100%	115%	125%	LR
Current (Amps)	1.25	1.30	1.40	1.60	1.80	1.90	2.00	11.0
Torque (ft-lb)	0.00	1.66	2.20	3.4	4.5	5.2	5.7	11.4
RPM	1200	1190	1180	1170	1155	1,145	1140	0
P.F. (%)	8.0	67.3	78.7	81.9	82.5	82.2	82.0	
		34.0	41.5	54.0	63.0	66.5	69.7	63.0

Motor Speed Data

	LR	Pull-Up	BD	Rated	Idle
Speed (RPM)	0	105	835	1155	1200
Current (Amps)	11.0	10.7	6.7	1.80	1.25
Torque (ft-lb)	11.4	11.4	16.7	4.5	0.00

Information Block

HP	1.0
Sync. RPM	1200
Frame	145
Enclosure	EPFC
Construction	TFN
Voltage	230/460 V
Frequency	60 Hz
Design	B
LR Code letter	K
Service Factor	1.15
Temp Rise @ FL	35 °C
Duty	CONT
Ambient	40 °C
Elevation	1,000 feet
Rotor/Shaft wk ²	0.14 Lb-Ft ²
Ref Wdg	ZT6140 NONE
Sound Pressure @ 1M	62 dbA
VFD Rating	NONE
Outline Dwg	1001051.N
Conn. Diag	A-EE7308-1.N
Additional Specifications:	
0	
0	
EQUIV CKT (OHMS / PHASE)	
R1	R2
0.0000	0.0000
X1	X2
0.0000	0.0000
Xm	
0.0000	



Speed - Torque Curve

