

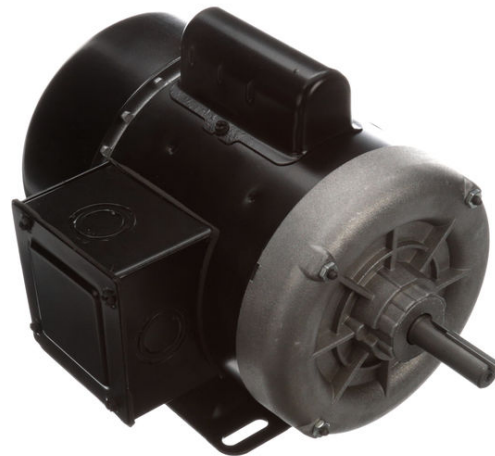
PRODUCT INFORMATION PACKET



Model No: C613V1

Catalog No: C613V1

.5 HP General Purpose Motor, 1 phase, 1800 RPM, 115/208-230 V, 56 Frame, TEFC
Single Phase TEFC Motors



Regal and Century are trademarks of Regal Beloit Corporation or one of its affiliated companies.
©2019 Regal Beloit Corporation, All Rights Reserved. MC017097E

The REGAL logo consists of the word 'REGAL' in a bold, white, sans-serif font, set against a dark grey rectangular background with a slight 3D effect.

REGAL



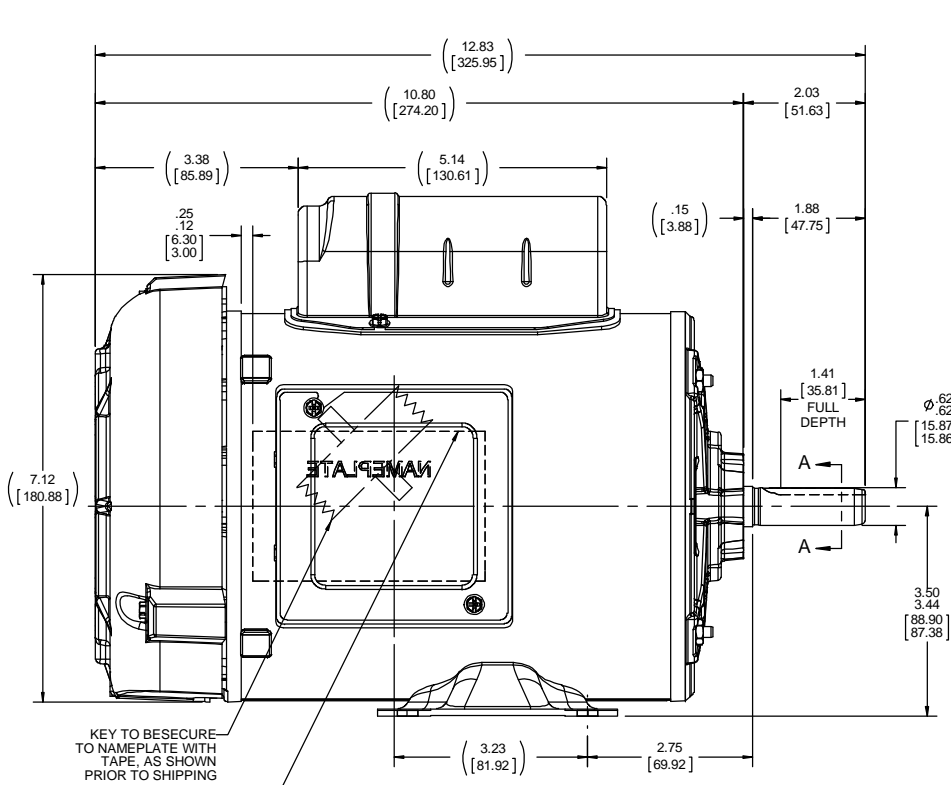
Nameplate Specifications

Output HP	.5 Hp	Output KW	0.37 kW
Frequency	60 Hz	Voltage	115/208-230 V
Current	6.4/3.4-3.2 A	Speed	1725 rpm
Service Factor	1.15	Phase	1
Duty	Continuous	Insulation Class	B
Frame	56	Enclosure	Totally Enclosed Fan Cooled
Thermal Protection	Thermally Protected	Ambient Temperature	40 °C
UL	Recognized	CSA	Y
CE	Y		

Technical Specifications

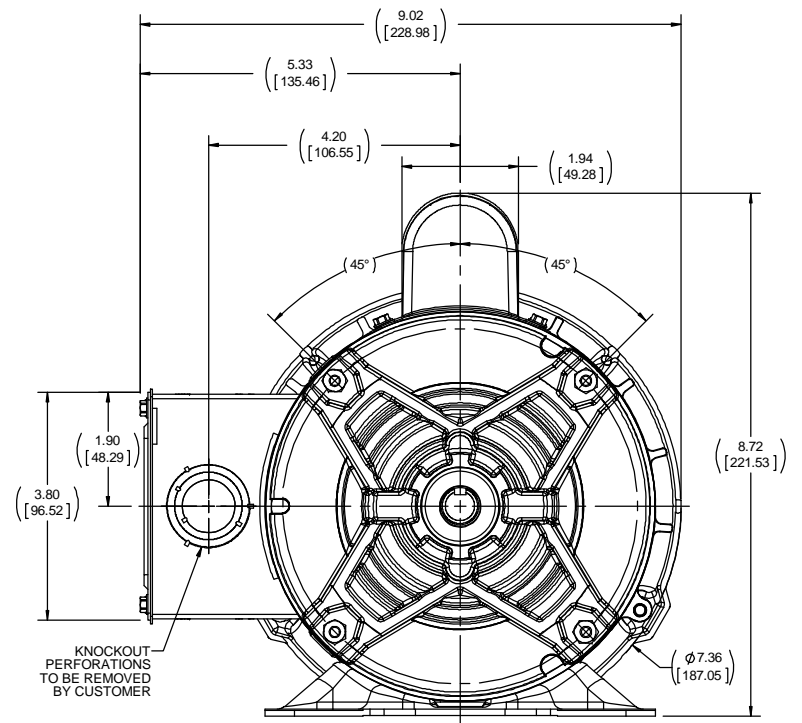
Electrical Type	Capacitor Start Induction Run	Starting Method	Across The Line
Poles	4	Rotation	Selective Counterclockwise
Mounting	Rigid Base	Drive End Bearing	Ball
Opp Drive End Bearing	Ball	Frame Material	Rolled Steel
Shaft Type	Keyed	Overall Length	12.83 in
Frame Length	7.15 in	Shaft Diameter	0.625 in
Shaft Extension	2.03 in		

This is an uncontrolled document once printed or downloaded and is subject to change without notice. Date Created:30/10/2019

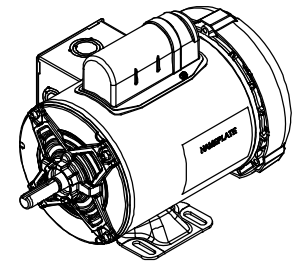
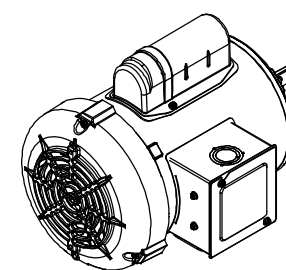
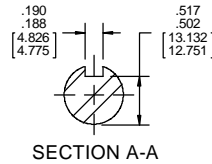
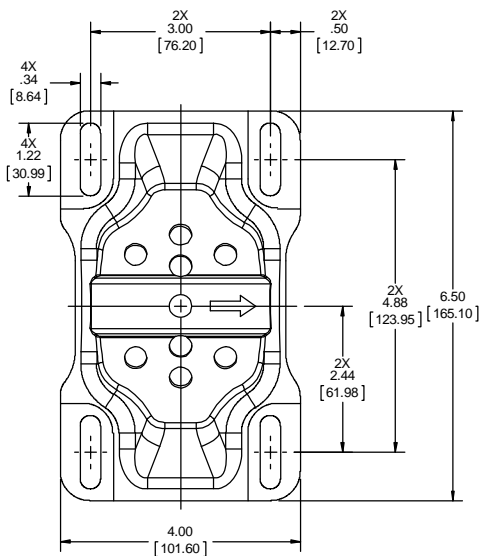


KEY TO BE SECURE TO NAMEPLATE WITH TAPE, AS SHOWN PRIOR TO SHIPPING

NAMEPLATE READ FROM TOP DOWN LOCATE AT 9:00 O'CLOCK.



KNOCKOUT PERFORATIONS TO BE REMOVED BY CUSTOMER



DRAWING REVISION A		REVISION BY DS	DATE 04/27/2018	TOLERANCES UNLESS OTHERWISE SPECIFIED:		DRAWN BY DS		Regal Beloit America, Inc.
ECO-0142497		APPROVED BY SM	DATE 04/27/2018	DEC.	INCH	mm	ANGLE	
ECO DESCRIPTION		NEW DRAWING		.X	±0.1	[±2.5]	±0.5°	APPROVED BY SM
COPYRIGHT REGAL BELOIT AMERICA, INC. ALL RIGHTS RESERVED. PROPRIETARY AND CONFIDENTIAL INFORMATION. THIS DOCUMENT IS THE PROPERTY OF REGAL BELOIT AMERICA, INC. FORMERLY AND CONTAINS OWNERS PROPRIETARY INFORMATION. ANY PERSON, CORPORATION OR OTHER FIRM RECEIVING IT IS DEEMED BY RECEIVING IT, TO AGREE THAT IT, AND/OR ANY PART OF IT, SHALL NOT BE DISCLOSED TO ANY PERSON, CORPORATION OR OTHER ENTITY, DUPLICATED, AND/OR USED, EXCEPT AS EXPRESSLY APPROVED IN WRITING IN ADVANCE BY OWNER. THIS DOCUMENT SHALL BE RETURNED TO OWNER UPON REQUEST. IT MAY BE SUBJECT TO CERTAIN RESTRICTIONS UNDER APPLICABLE EXPORT CONTROL LAWS AND REGULATIONS.				.XX	±0.02	[±0.51]		DATE 04/27/2018
				.XXX	±0.005	[±0.127]		REFERENCE
				.XXXX	±0.0005	[±0.0127]		MATERIAL
				MACHINED SURFACES: 125 / 3.2 INCH/ mm SHOWN IN (BRACKETS)				DESCRIPTION
								OUTLINE
								56FR, TEFC, RIGID, 1-PHASE
								PROCESS/FINISH
								SIZE
								DRAWING NUMBER
								OL56100338-001
								SHEET
								1 OF 1