

# PRODUCT INFORMATION PACKET



Model No: K200M2  
Catalog No: K200M2  
2 HP General Purpose Motor, 1 phase, 1800 RPM, 115/230 V, 182TZ Frame, TEFC  
Single Phase TEFC Motors



Regal and Century are trademarks of Regal Beloit Corporation or one of its affiliated companies.  
©2019 Regal Beloit Corporation, All Rights Reserved. MC017097E

The REGAL logo consists of the word 'REGAL' in a bold, white, sans-serif font, set against a dark grey rectangular background with a slight shadow effect.

REGAL



**Nameplate Specifications**

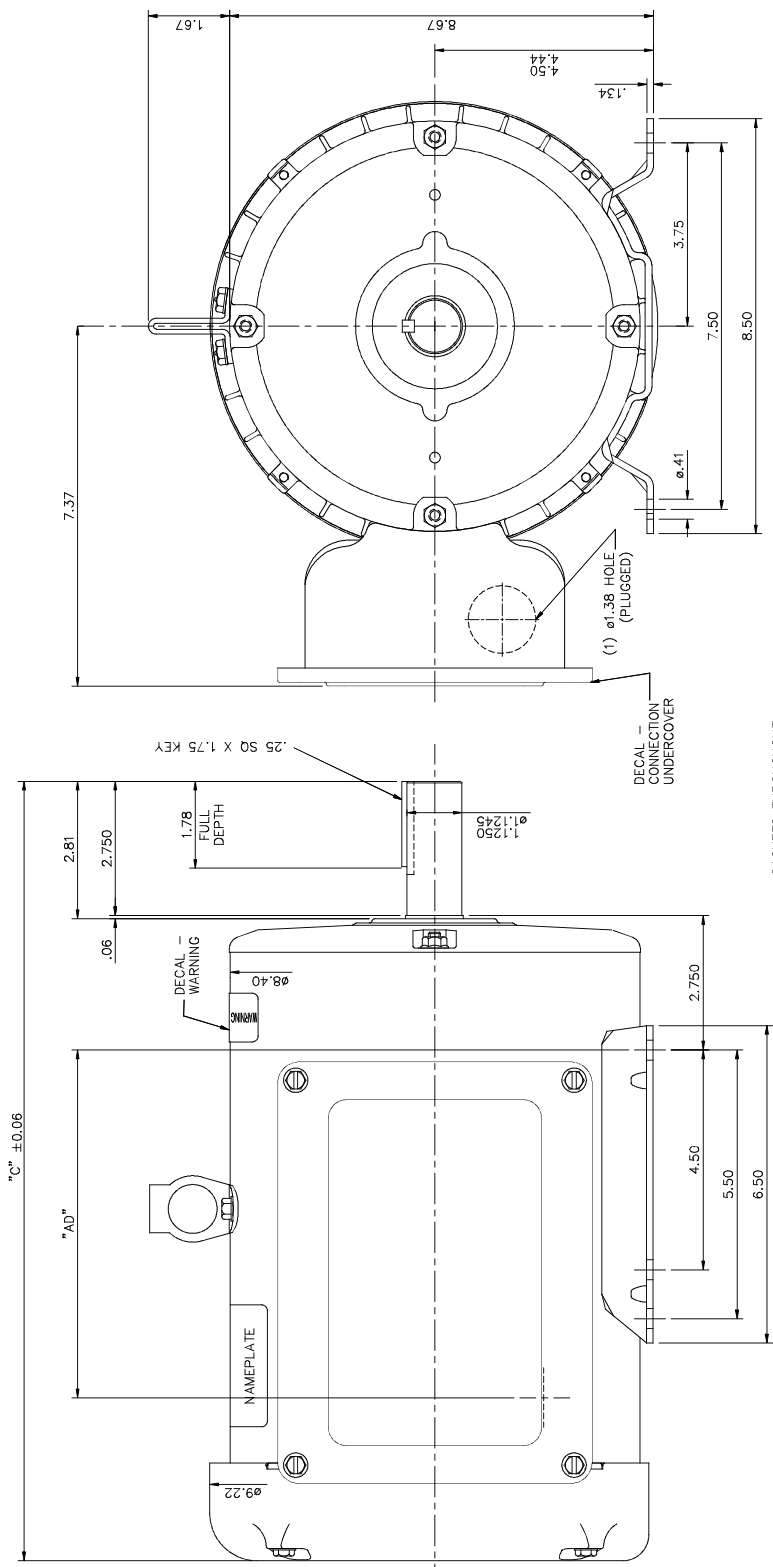
Output HP	<b>2 Hp</b>	Output KW	<b>1.5 kW</b>
Frequency	<b>60 Hz</b>	Voltage	<b>115/230 V</b>
Current	<b>24/12 A</b>	Speed	<b>1760 rpm</b>
Service Factor	<b>1.15</b>	Phase	<b>1</b>
Duty	<b>Continuous</b>	Insulation Class	<b>F</b>
Frame	<b>182TZ</b>	Enclosure	<b>Totally Enclosed Fan Cooled</b>
Thermal Protection	<b>No</b>	Ambient Temperature	<b>40 °C</b>
UL	<b>Recognized</b>	CSA	<b>Y</b>
CE	<b>Y</b>		

**Technical Specifications**

Electrical Type	<b>Capacitor Start Induction Run</b>	Starting Method	<b>Across The Line</b>
Poles	<b>4</b>	Rotation	<b>Counterclockwise</b>
Mounting	<b>Rigid base</b>	Drive End Bearing	<b>Ball</b>
Opp Drive End Bearing	<b>Ball</b>	Frame Material	<b>Rolled Steel</b>
Shaft Type	<b>Keyed</b>	Overall Length	<b>14.46 in</b>
Frame Length	<b>9.00 in</b>	Shaft Diameter	<b>1.125 in</b>
Shaft Extension	<b>2.81 in</b>		

This is an uncontrolled document once printed or downloaded and is subject to change without notice. Date Created:30/10/2019

035632CY



GASKETS THROUGHOUT

DASH NO.	"C"	"AD"
900	14.46	5.62
950	14.96	6.12
1000	15.46	6.62
1050	15.96	7.12
1100	16.46	7.62
1150	16.96	8.12
1200	17.46	8.62

MAXIMUM FACE RUNOUT TO BE .004 T.I.R.  
 MAXIMUM PILOT ECCENTRICITY TO BE .004 T.I.R.  
 PERMISSIBLE SHAFT RUNOUT TO BE .004 T.I.R.

UNLESS SPECIFIED		DRAWN	GR 08/22/12
DEC.	INCHES	CHK	VS 08/23/12
X	#0	APPD	
.XX	#0	SCALE	OUTLINE - 180T
.XXX	#0	TITLE	TEFC-RIGID
.XXXX	#0	REF	035632
		MATL	
		FINISH	
		CHK	ANG #0
		BY & DATE	VS 10/9/2012
		REVISION	
		NO.	01 UPDATED DASH # TABLE

THIS DRAWING IS DESIGN AND DIST. OUT. PROPERTY AND MUST NOT BE USED FOR REPRODUCTION IN CONNECTION WITH OUR WORK. ALL RIGHTS OF DESIGN AND INVENTION ARE RESERVED. THIS IS AN ELECTRONICALLY GENERATED DOCUMENT - DO NOT SCALE THIS PRINT

REV	DRAWING NO.	SIZE
01	035632CY	B