

PRODUCT INFORMATION PACKET



Model No: CCD4B30TSC61Y

Catalog No: LM32786

..30HP..1800RPM.286TSC.ODP.230/460V.3PH.60HZ.CONT.40C.1.15SF.RIGID-C.....GENERAL
PURPOSE.....

Open Drip Proof (ODP)



Regal and Leeson are trademarks of Regal Beloit Corporation or one of its affiliated companies.

©2018 Regal Beloit Corporation, All Rights Reserved. MC017097E



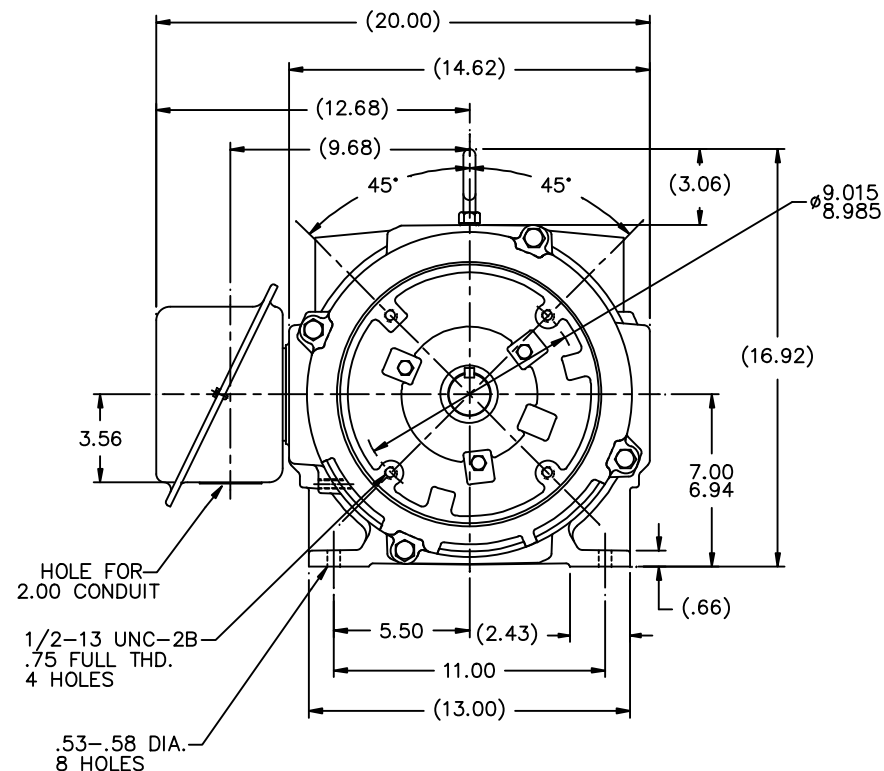
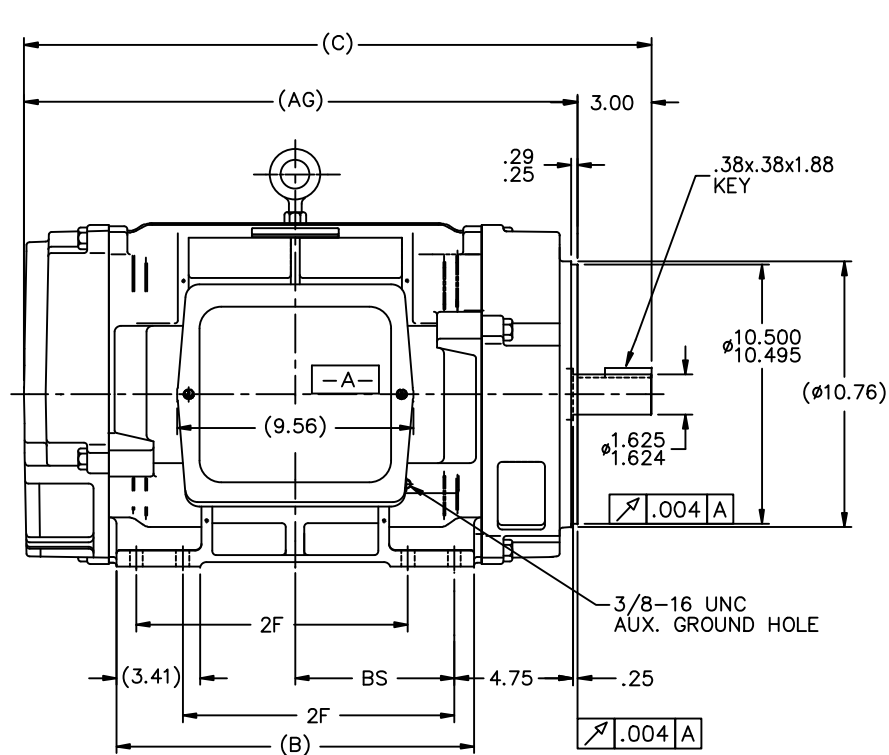


Nameplate Specifications

Output HP	30 Hp	Output KW	22.4 kW
Frequency	60 Hz	Voltage	230/460 V
Current	74.0/37.0 A	Speed	1775 rpm
Service Factor	1.25	Phase	3
Efficiency	94.1 %	Duty	Continuous
Insulation Class	F	Design Code	B
KVA Code	G	Frame	286TSC
Enclosure	Drip Proof	Overload Protector	No
Ambient Temperature	40 °C	Drive End Bearing Size	311
Opp Drive End Bearing Size	210	UL	Recognized
CSA	Y	CE	Y
IP Code	12		

Technical Specifications

Electrical Type	Squirrel Cage Induction Run	Starting Method	Wye Start Delta Run
Poles	4	Rotation	Reversible
Mounting	Rigid base	Motor Orientation	HORIZONTAL
Drive End Bearing	BALL	Opp Drive End Bearing	BALL
Frame Material	Cast Iron	Shaft Type	TS
Overall Length	25.44 in	Frame Length	15.12 in
Shaft Diameter	1.625 in	Shaft Extension	3 in
Assembly/Box Mounting	F1/F2 CAPABLE		
Outline Drawing	B-SS207877LN-1512	Connection Diagram	A-EE7358-LN



NOTES:

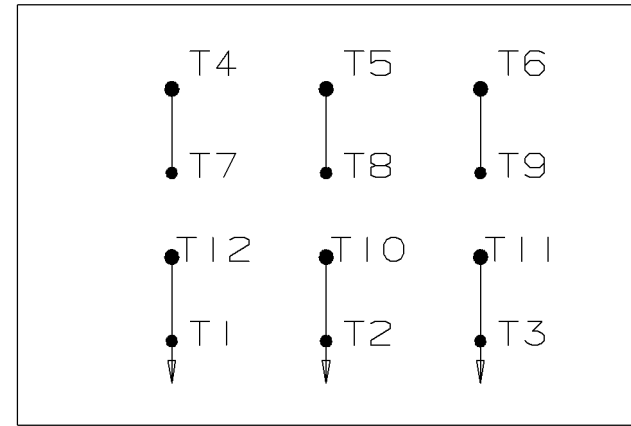
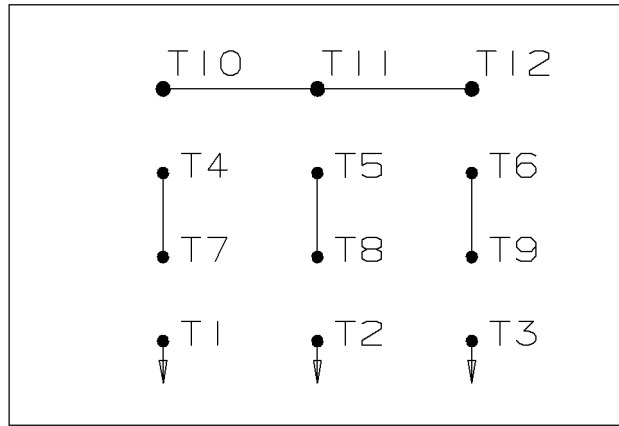
1. CONDUIT BOX CAN BE ROTATED IN 90° STEPS.
2. CONDUIT BOX CAN BE MOUNTED ON OPPOSITE SIDE BY REMOVING BRACKETS AND TURNING FRAME 180°.
3. NAMEPLATE TO BE READ FROM CONDUIT BOX SIDE OF MOTOR.

								TOLERANCES UNLESS SPECIFIED				DRAWN RWR 03/03/2004	
								DEC.	INCHES			CHK	ML 03/05/2004
								.X	±.1	TITLE OUTLINE		APPD	BW 03/05/2004
3	2.00 CONDUIT WAS 1.50 ECN #25435		WGJ	08-16-2012	EMH	.XX	±.02	280TSC FR. -TS -DR.PR. - CAST IRON		SCALE	1-5		
2	REVISED 'BA' DIMENSION TO BE 4.75 MU49925		MSG	1/5/2010	MJS	.XXX	±.005	MATERIAL		REF			
1	CHANGE D.E. BKT. FROM 12.5 TO 10.5 MU49925		RWR	03-10-2004	BW	.XXXX	±.0005	FINISH		FMF			
NO.	REVISION		BY & DATE		CHK	ANG	±7'30"	CAD FILE ss207877in		PREV			
THIS DRAWING IN DESIGN AND DETAIL IS OUR PROPERTY AND MUST NOT BE USED EXCEPT IN CONNECTION WITH OUR WORK ALL RIGHTS OF DESIGN AND INVENTION ARE RESERVED THIS IS AN ELECTRONICALLY GENERATED DOCUMENT - DO NOT SCALE THIS PRINT								RFP		SIZE	DRAWING NO.	PAGE 1 OF 1	REV.
DASH	FRAME	B	C	2F	BS	MTG	AG	DIST	WA-LB	B	SS207877LN	3	
1325	284TSC	12.63	23.57	9.50	5.50		20.57						
1512	286TSC	14.50	25.44	11.00	6.44		22.44						

WYE START

HIGH VOLTAGE

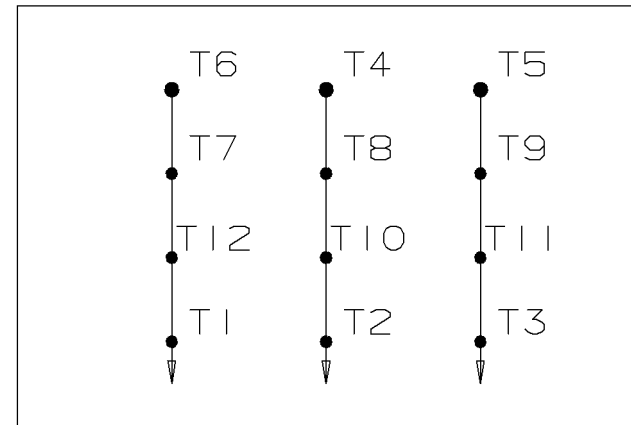
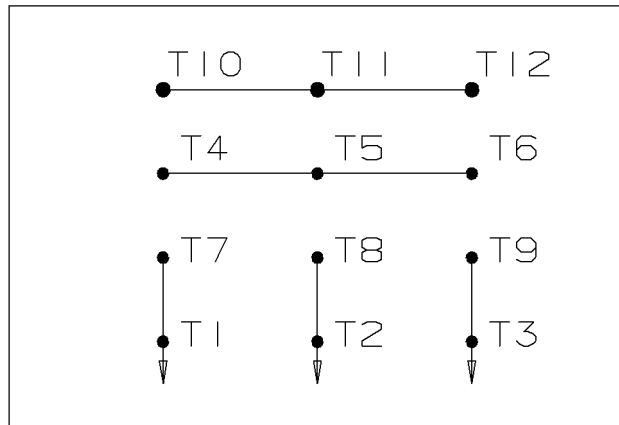
DELTA RUN



WYE START

LOW VOLTAGE

DELTA RUN



4/2 CKTY Δ

					<input checked="" type="checkbox"/> UNLESS OTHERWISE SPECIFIED DIMENSIONS ARE IN INCHES TOL. ON XX± .02 XXX± .005 XXXX± .0005 ANGLES± 7'30"			
						MAX. SURFACE ROUGHNESS UNLESS OTHERWISE NOTED FINISH MATERIAL	DRAWN BY DRS CHKD BY ML APPD BY TB	12-07-1999 12-07-1999 12-07-1999
1	12-07-1999	NEW DRAWING	DRS	PART NAME CONNECTION DIAGRAM			DRWG NO A-EE7358-LN	
REV	DATE	CHANGE	NAME					

PURCHASED | CADD FILE NO. | EE7358-LN

Data Sheet

Date: 1/31/2018

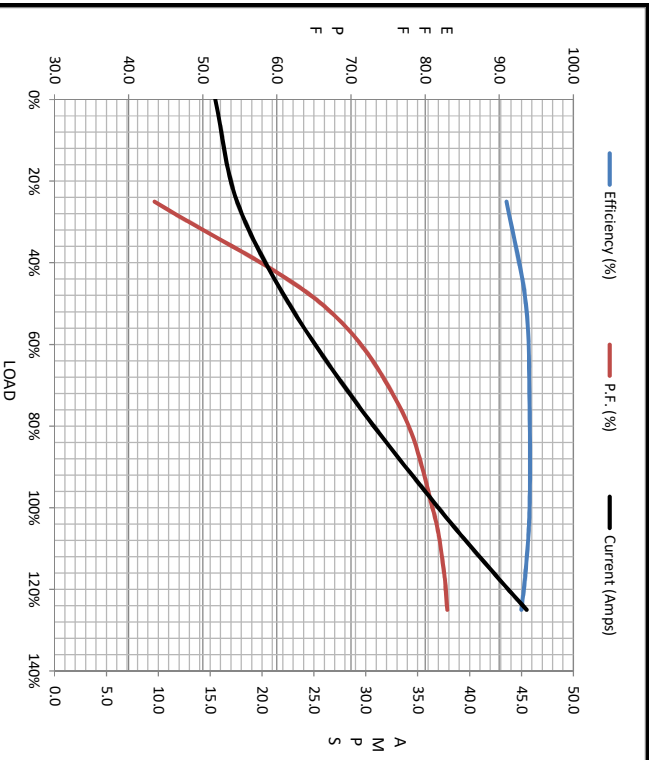
LM32786



Data @ 460 V

Motor Load Data								
Load	0%	25%	50%	75%	100%	115%	125%	LR
Current (Amps)	15.5	17.6	22.6	29.3	37.0	42.0	45.5	208
Torque (ft-lb)	0.00	22.0	44.0	66.5	89.0	102	112	160
RPM	1800	1792	1788	1782	1772	1770	1768	0
Efficiency (%)		91.0	93.6	94.1	94.1	93.6	93.0	
P.F. (%)	3.0	43.5	66.0	76.5	81.0	82.5	83.0	35.5

Motor Speed Data						Information Block																				
LR	Pull-Up	BD	Rated	Idle		HP	Sync. RPM	Frame	Enclosure	Construction	Voltage	Frequency	Design	LR Code letter	Service Factor	Temp Rise @ FL	Duty	Ambient	Elevation	Rotor/Shaft wk ²	Ref Wdg	Sound Pressure @ 1M	VFD Rating	Outline Dwg	Conn. Diag	Additional Specifications:
0	900	1678	1772	1800		30.0	1800	286	DP	TDN	230/460#190/380	60	B	G	1.15	45	CONT	40	1,000	4.7	NONE	NONE	B-SS20787LN-1512	A-EE7358-LN		
208	187	129	37.0	15.5																						
Torque (ft-lb)	160	136	220	89.0	0.00																					



EQUIV CKT (OHMS / PHASE)			
R1	R2	X1	Xm
0.1320	0.1090	0.7090	0.8690
			16.8210

