

PRODUCT INFORMATION PACKET



Model No: SRF4S1TLC1C6028
Catalog No: LM24616
1..1800.56C.TEFC.115/208-230.1.60....1.15...SRF4S1TLC1C6028
Totally Enclosed Fan Cooled (TEFC)



Regal and Leeson are trademarks of Regal Beloit Corporation or one of its affiliated companies.
©2018 Regal Beloit Corporation, All Rights Reserved. MC017097E



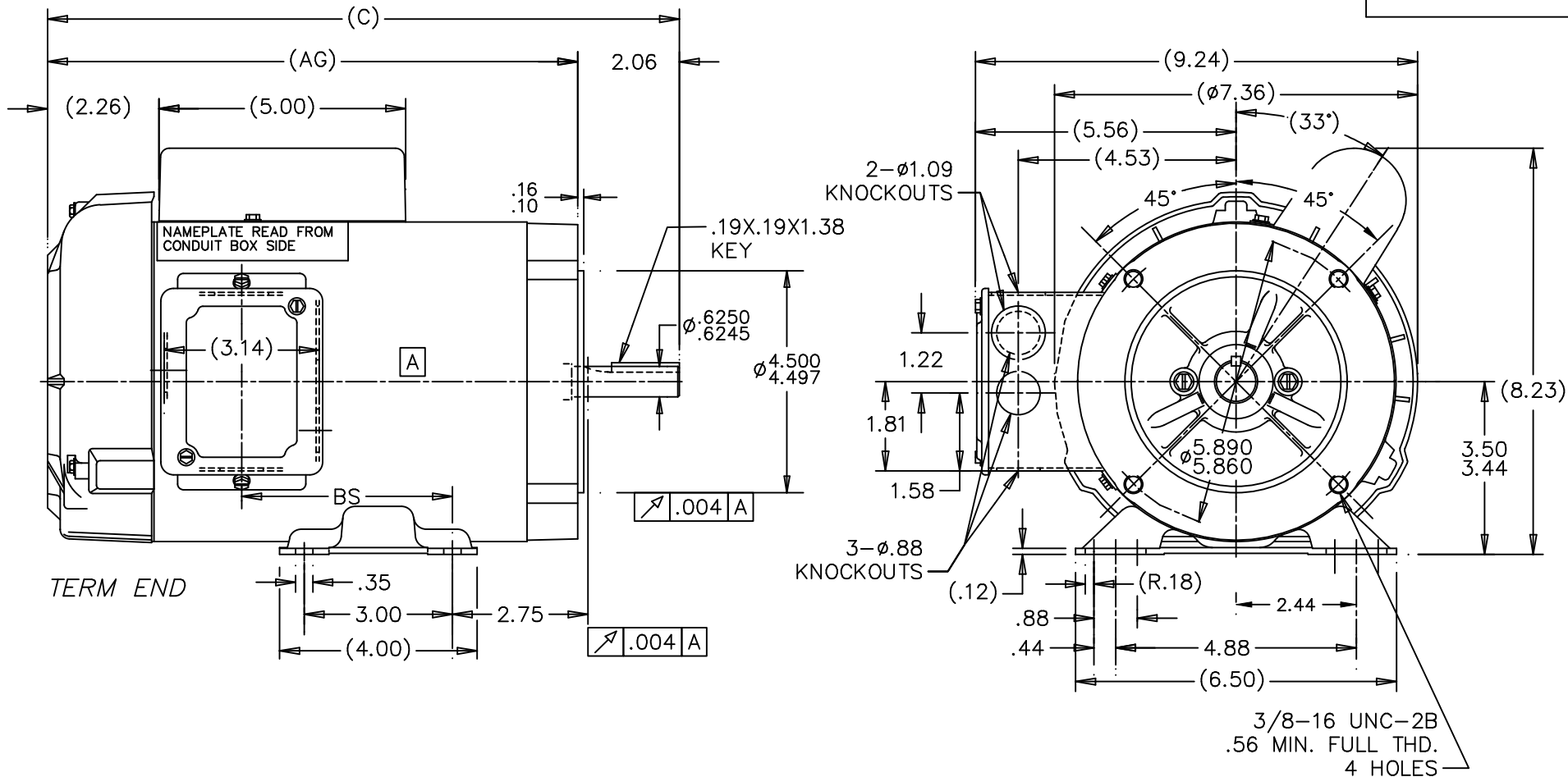


Nameplate Specifications

Output HP	1 Hp	Output KW	0.75 kW
Frequency	60 Hz	Voltage	115/208-230 V
Current	13.4/6.8-6.7 A	Speed	1725 rpm
Service Factor	1.15	Phase	1
Efficiency	72 %	Duty	Continuous
Insulation Class	B	Design Code	NO DESIGN CODE
KVA Code	J	Frame	56C
Enclosure	Totally Enclosed Fan Cooled	Overload Protector	No
Ambient Temperature	40 °C	Drive End Bearing Size	6203
Opp Drive End Bearing Size	6203	UL	Recognized
CSA	Y	CE	N
IP Code	43		


Technical Specifications

Electrical Type	Capacitor Start Induction Run	Starting Method	Across The Line
Poles	4	Rotation	Selective Counterclockwise
Mounting	Rigid base	Motor Orientation	HORIZONTAL
Drive End Bearing	BALL	Opp Drive End Bearing	BALL
Frame Material	Rolled Steel	Shaft Type	NEMA 56
Overall Length	12.82 in	Frame Length	7.56 in
Shaft Diameter	0.625 in	Shaft Extension	1.88 in
Assembly/Box Mounting	F1 ONLY		
Outline Drawing	A-100126LN-756	Connection Diagram	102005-51-LN

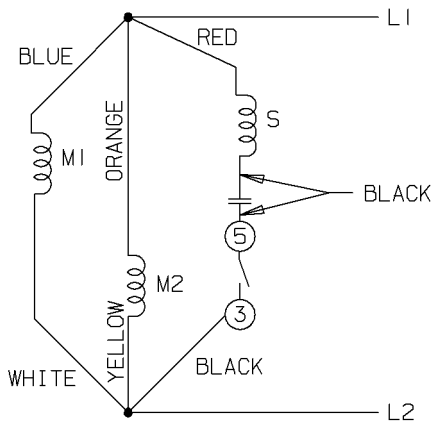


DASH	FR.	C	AG	BS
656	56-65	11.82	9.75	3.25
706	56-70	12.32	10.25	3.75
756	56-75	12.82	10.75	4.25

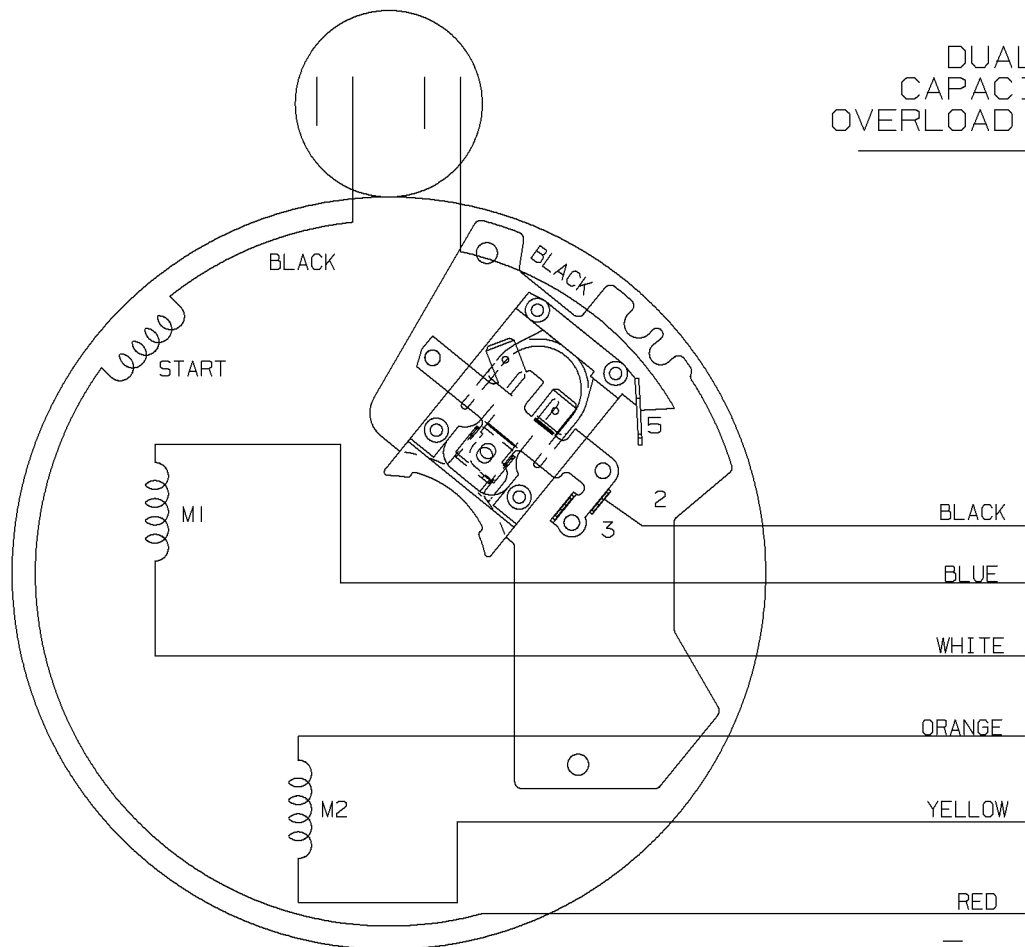
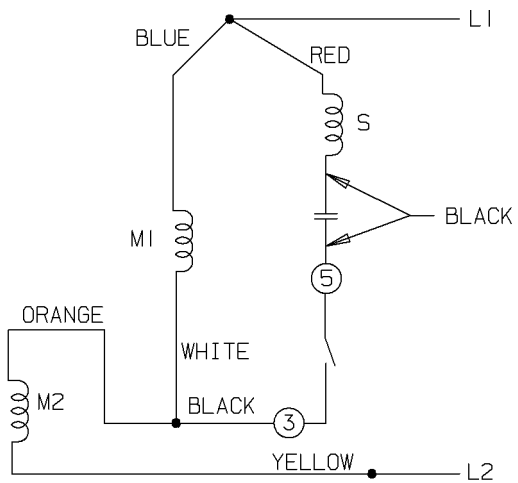
NOTE:
CONDUIT BOX CAN BE ROTATED 180°

		TOLERANCES UNLESS SPECIFIED				DRAWN TJB 11-29-1999	
		DEC.	INCHES			CHK ML 11-29-1999	
		.X	±.1			APPD GK 11-29-1999	
		.XX	±.03			SCALE 5=16	
			.XXX	±.005	TITLE OUTLINE		REF
1	NEW DRAWING	TJB 11-29-1999	.XXXX	±.0005	56 FR. - 1ø TEFC - C-FACE		FMF
NO.	REVISION	BY & DATE	CHK	ANG	FINISH		PREV
			RFP		CAD FILE 100126LN	SIZE A	DRAWING NO. 100126LN
			DIST PR				PAGE OF 1
THIS DRAWING IN DESIGN AND DETAIL IS OUR PROPERTY AND MUST NOT BE USED EXCEPT IN CONNECTION WITH OUR WORK ALL RIGHTS OF DESIGN AND INVENTION ARE RESERVED THIS IS AN ELECTRONICALLY GENERATED DOCUMENT - DO NOT SCALE THIS PRINT							REV. 1

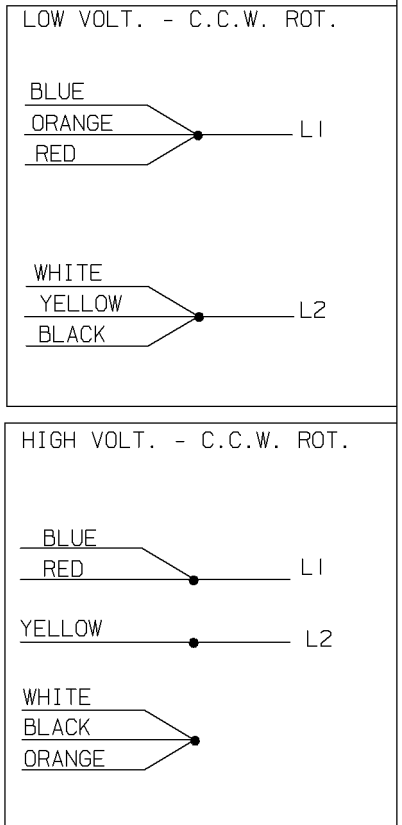
LOW VOLTAGE - C.C.W.



HIGH VOLTAGE - C.C.W.



DUAL VOLTAGE
CAPACITOR START NO
OVERLOAD SELECT ROTATION



FOR C.W. ROTATION EITHER
VOLTAGE INTERCHANGE
RED WITH BLACK LEAD

					✓ UNLESS OTHERWISE SPECIFIED DIMENSIONS ARE IN INCHES TOL. ON XX±.02 XXX±.005 XXXX±.0005 ANGLES± 7'30"		
2	05-21-2001	ADDED VIEW OF CORD	MU37277			HLB	MAX. SURFACE ROUGHNESS UNLESS OTHERWISE NOTED
1	09-29-1999	NEW DRAWING		BLR	MATERIAL	APPD BY GK	09-29-1999
REV	DATE	CHANGE		NAME	PART NAME CONNECTION DIAGRAM	DRWG NO A-102005-51-LN	

PURCHASED | CADD FILE NO. | 102005-51-LN



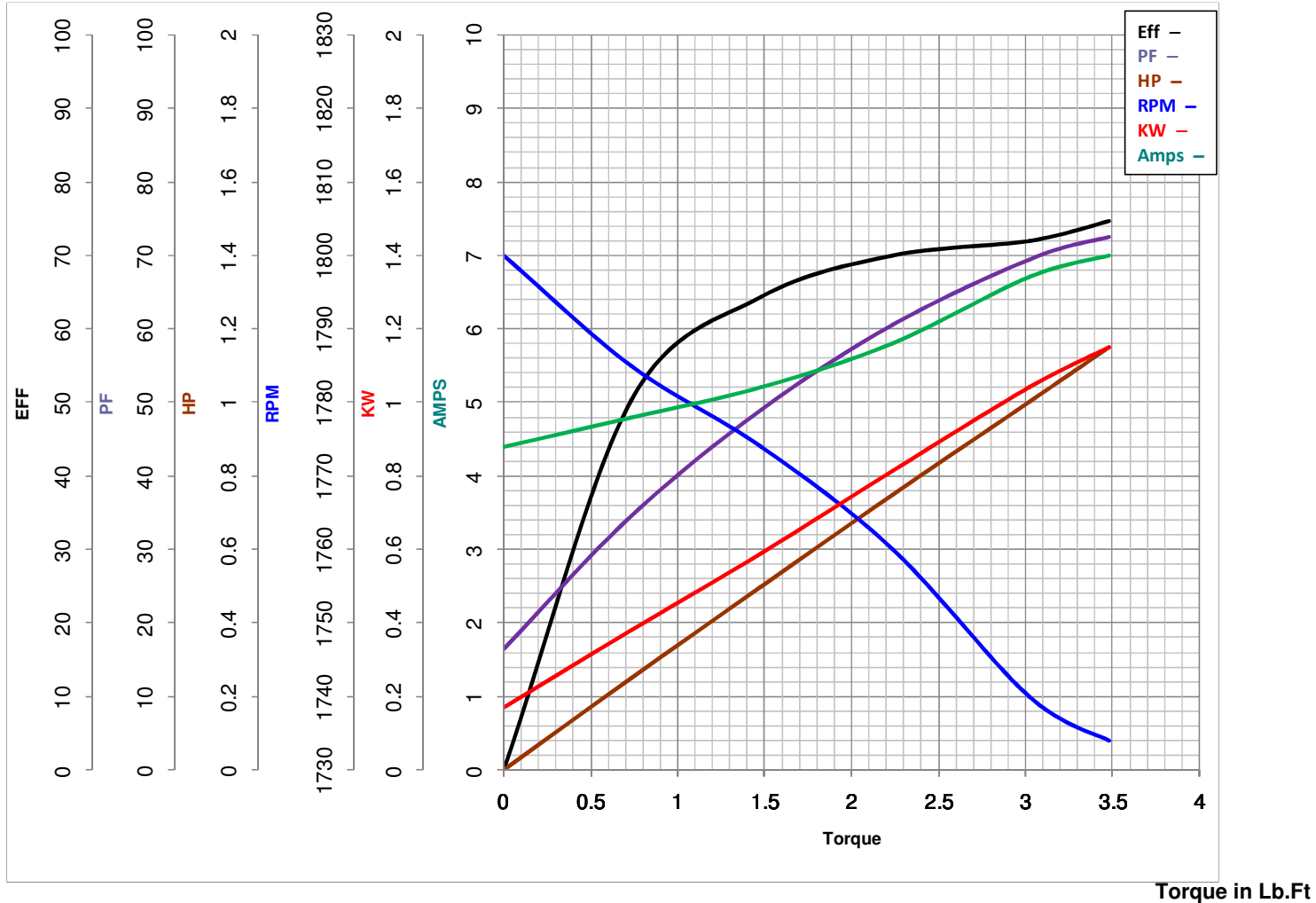
LEESON ELECTRIC CORPORATION
 TYPICAL PERFORMANCE CURVE for AC MOTOR

Model No LM24616

Curve at 230 Volts HP 1.00 PHASE 1
60 HZ
1 HP VOLTS 115/208-230

Catalog No LM24616D

HZ 60 RPM 1725



FL TORQUE	<u>3.019</u> Lb.Ft	FL AMPS	<u>13.4/6.8-6.7</u>
BD TORQUE	<u>7.6</u> Lb.Ft	PU TORQUE	<u>6.3</u> Lb.Ft
LR TORQUE	<u>8.906</u> Lb.Ft	LR AMPS	<u>34.7</u>
WINDING	ZC407-3	Date	<u>3/27/2018</u>