

# PRODUCT INFORMATION PACKET

**marathon**<sup>®</sup>  
Motors

Model No: 286TSTDBD6001  
Catalog No: GT0072  
40,3600,DP,286TS,3/60/230/460  
Open Drip Proof (ODP)



Regal and Marathon are trademarks of Regal Beloit Corporation or one of its affiliated companies.  
©2018 Regal Beloit Corporation, All Rights Reserved. MC017097E

**REGAL**<sup>®</sup>



### Nameplate Specifications

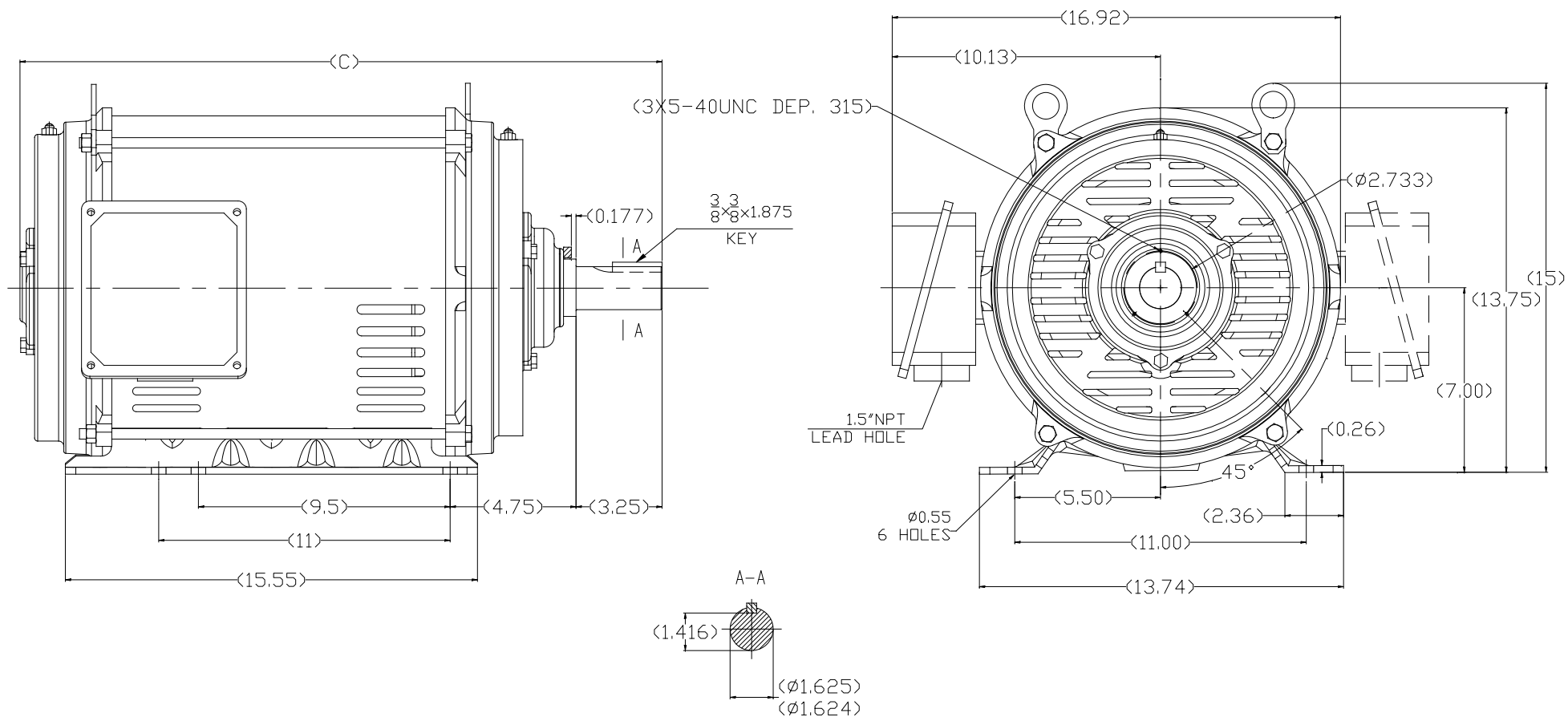
Output HP	<b>40 Hp</b>	Output KW	<b>30.0 kW</b>
Frequency	<b>60 Hz</b>	Voltage	<b>230/460 V</b>
Current	<b>93.0/46.5 A</b>	Speed	<b>3562 rpm</b>
Service Factor	<b>1.15</b>	Phase	<b>3</b>
Efficiency	<b>92.4 %</b>	Duty	<b>Continuous</b>
Insulation Class	<b>F</b>	Design Code	<b>B</b>
KVA Code	<b>F</b>	Frame	<b>286TS</b>
Enclosure	<b>Drip Proof</b>	Overload Protector	<b>No</b>
Ambient Temperature	<b>40 °C</b>	Drive End Bearing Size	<b>6211</b>
Opp Drive End Bearing Size	<b>6211</b>	UL	<b>Recognized</b>
CSA	<b>Y</b>	CE	<b>Y</b>
IP Code	<b>22</b>		

### Technical Specifications

Electrical Type	<b>Squirrel Cage Inverter Rated</b>	Starting Method	<b>Wye Start Delta Run Or Inverter</b>
Poles	<b>2</b>	Rotation	<b>Reversible</b>
Mounting	<b>Rigid base</b>	Motor Orientation	<b>Horizontal</b>
Drive End Bearing	<b>Ball</b>	Opp Drive End Bearing	<b>Ball</b>
Frame Material	<b>Rolled Steel</b>	Shaft Type	<b>TS</b>
Frame Length	<b>13.97 in</b>	Shaft Diameter	<b>1.625 in</b>
Shaft Extension	<b>3.25 in</b>	Assembly/Box Mounting	<b>F1/F2 Capable</b>
Outline Drawing	<b>SS620709</b>	Connection Diagram	<b>EE7308AA</b>

This is an uncontrolled document once printed or downloaded and is subject to change without notice. Date Created: 07/02/2018

SS620709



284TS	24.34	YES
286TS	25.72	YES
FRAME	C	F1/F2

		TOLERANCES UNLESS SPECIFIED				DRAWN WY 25-2-2016	
		DEC.	INCHES			CHK ZXW 25-2-2016	
		.X	±.1			APPD ZYH 25-2-2016	
		.XX	±.03			SCALE 1:1	
		.XXX	±.005	TITLE		REF	
A		.XXXX	±.0005	MAT'L.		FMF	
ND.		REVISION	BY & DATE	CHK	ANG	±1/2"	FINISH
THIS DRAWING IN DESIGN AND DETAIL IS OUR PROPERTY AND MUST NOT BE USED EXCEPT IN CONNECTION WITH OUR WORK ALL RIGHTS OF DESIGN AND INVENTION ARE RESERVED THIS IS AN ELECTRONICALLY GENERATED DOCUMENT - DO NOT SCALE THIS PRINT				RFP	CAD FILE		SS620709
				DIST	SIZE	DRAWING NO.	PAGE OF REV.
					B	SS620709	A



### LOW VOLTAGE

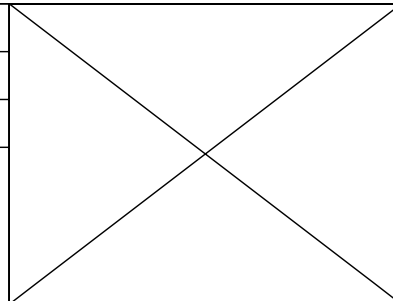


### HIGH VOLTAGE



### VIEW OF TERMINAL END

DRAWING REVISION <b>K</b>	REVISION BY <b>AJW</b>	DATE <b>07-17-2015</b>
ECO <b>ECO-0081632</b>	APPROVED BY <b>T. VUE</b>	DATE <b>07-17-2015</b>
ECO DESCRIPTION <b>REV'D IEC MARKINGS PER IEC 60034-8</b>		
<small>                     COPYRIGHT REGAL BELOIT AMERICA, INC. ALL RIGHTS RESERVED.                      PROPRIETARY AND CONFIDENTIAL INFORMATION - THIS DOCUMENT IS THE PROPERTY OF                      REGAL BELOIT AMERICA, INC. ("OWNER") AND CONTAINS OWNER'S PROPRIETARY                      INFORMATION. ANY PERSON, CORPORATION OR OTHER FIRM RECEIVING IT IS DEEMED,                      BY RECEIVING IT, TO AGREE THAT IT, AND/OR ANY PART OF IT, SHALL NOT BE DISCLOSED                      TO ANY PERSON, CORPORATION OR OTHER ENTITY, DUPLICATED, AND/OR USED, EXCEPT                      AS EXPRESSLY APPROVED IN WRITING IN ADVANCE BY OWNER. THIS DOCUMENT SHALL                      BE RETURNED TO OWNER UPON REQUEST. IT MAY BE SUBJECT TO CERTAIN                      RESTRICTIONS UNDER APPLICABLE EXPORT CONTROL LAWS AND REGULATIONS.                 </small>		



DRAWN BY <b>LZ</b>	<b>Regal Beloit America, Inc.</b>	
DATE <b>01-12-1994</b>		
APPROVED BY <b>GK</b>	<b>CONN DIAGRAM-EXTERNAL</b> <b>3Ø-2/1 DELTA-12 LEADS</b>	
DATE <b>01-14-1994</b>		
REFERENCE	MATERIAL	PROCESS/FINISH
THIRD ANGLE PROJECTION	SIZE <b>A</b>	DRAWING NUMBER <b>EE7308AA</b>
		SHEET <b>1 OF 1</b>



**P.O. BOX 8003  
WAUSAU, WI 54401-8003  
PH. 715-675-3311**

**CERTIFICATION DATA SHEET**

**CUSTOMER:** CUSTOMER PO #:  
**ORDER #:** MODEL #: 286TSTDBD6001 AA  
**CONN. DIAGRAM:** EE7308AA CUSTOMER PART #:  
**OUTLINE:** SS620709 MOUNTING: F1/F2 CAPABLE  
**WINDING #:** HE31802008 2

**TYPICAL MOTOR PERFORMANCE DATA**

HP	KW	SYNC. RPM	F.L. RPM	FRAME	ENCLOSURE	KVA CODE	DESIGN	
40830	30.0&22.4	3600	3562&2965	286TS	DP	F	B	
PH	HZ	VOLTS	AMPS	START TYPE	DUTY	INSL	S.F.	AMB° C
3	60/50	230/460&190/380	93/46.5&86/43	Y START D RUN OR INV	CONTINUOUS	F7	1.15/1.15	40

<b>FULL LOAD EFF:</b>	92.4&91.7	<b>3/4 LOAD EFF:</b>	92.4	<b>1/2 LOAD EFF:</b>	92.1	<b>GTD. EFF</b>	91.7	<b>ELEC. TYPE</b>
<b>FULL LOAD PF:</b>	87&87	<b>3/4 LOAD PF:</b>	83.5	<b>1/2 LOAD PF:</b>	74.5	<b>SQ CAGE INV RATED</b>		
<b>F.L. TORQUE</b>	<b>LOCKED ROTOR AMPS</b>	<b>L.R. TORQUE</b>	<b>B.D. TORQUE</b>	<b>F.L. RISE° C</b>				
59 LB-FT	502 / 251	101 LB-FT	171 %	131 LB-FT	222 %	60		

<b>SOUND PRESSURE @ 3 FT.</b>	<b>SOUND POWER</b>	<b>ROTOR WK^2</b>	<b>MAX. WK^2</b>	<b>SAFE STALL TIME</b>	<b>STARTS / HOUR</b>	<b>APPROX. MOTOR WGT</b>
78 DBA	88 DBA	3.6 LB-FT^2	45 LB-FT^2	15 SEC.	2	500 LBS.

**\*\*\* SUPPLEMENTAL INFORMATION \*\*\***

DE BRACKET TYPE	ODE BRACKET TYPE	MOUNT TYPE	ORIENTATION	SEVERE DUTY	HAZARDOUS LOCATION	DRIP COVER	SCREENS	PAINT
STANDARD	STANDARD	RIGID	HORIZONTAL	FALSE	NONE	FALSE	NONE	BLUE (ENAMEL)
BEARINGS DE ODE	GREASE	SHAFT TYPE	SPECIAL DE	SPECIAL ODE	SHAFT MATERIAL	FRAME MATERIAL		
BALL BALL 6211 6211	POLYREX EM	TS	NONE	NONE	1045 HOT ROLLED (C-204)	ROLLED STEEL		

THERMO-PROTECTORS				THERMISTORS		
THERMOSTATS	PROTECTORS	WDG RTDS	BRG RTDS	CONTROL	SPACE HEATERS	VOLTS
NONE	NOT	NONE	NONE	NONE	FALSE	NONE

<b>* INVERTER TORQUE:</b>	VARIABLE 20:1
<b>N INV. HP SPEED RANGE:</b>	NONE
<b>ENCODER:</b>	NONE
<b>O NONE</b>	NONE
<b>T NONE</b>	PPR
<b>E NONE</b>	P/N NONE
<b>S NONE</b>	NONE
<b>* FT-LB</b>	NONE
<b>V</b>	NONE
<b>HZ</b>	

**PREPARED BY:** Fareeda Dudekula  
**DATE:** 05/07/2018 03:59:08 AM  
**FORM 3531 REV.3 02/07/99**  
**\*\* Subject to change without notice.**

**MARATHON ELECTRIC CORPORATION**

TYPICAL PERFORMANCE CURVE for AC MOTOR

Customer

Curve at

460

Volts

HP 40&30

PHASE 3

Model No 286TSTDBD6001

60

HZ

VOLTS 230/460&190/380

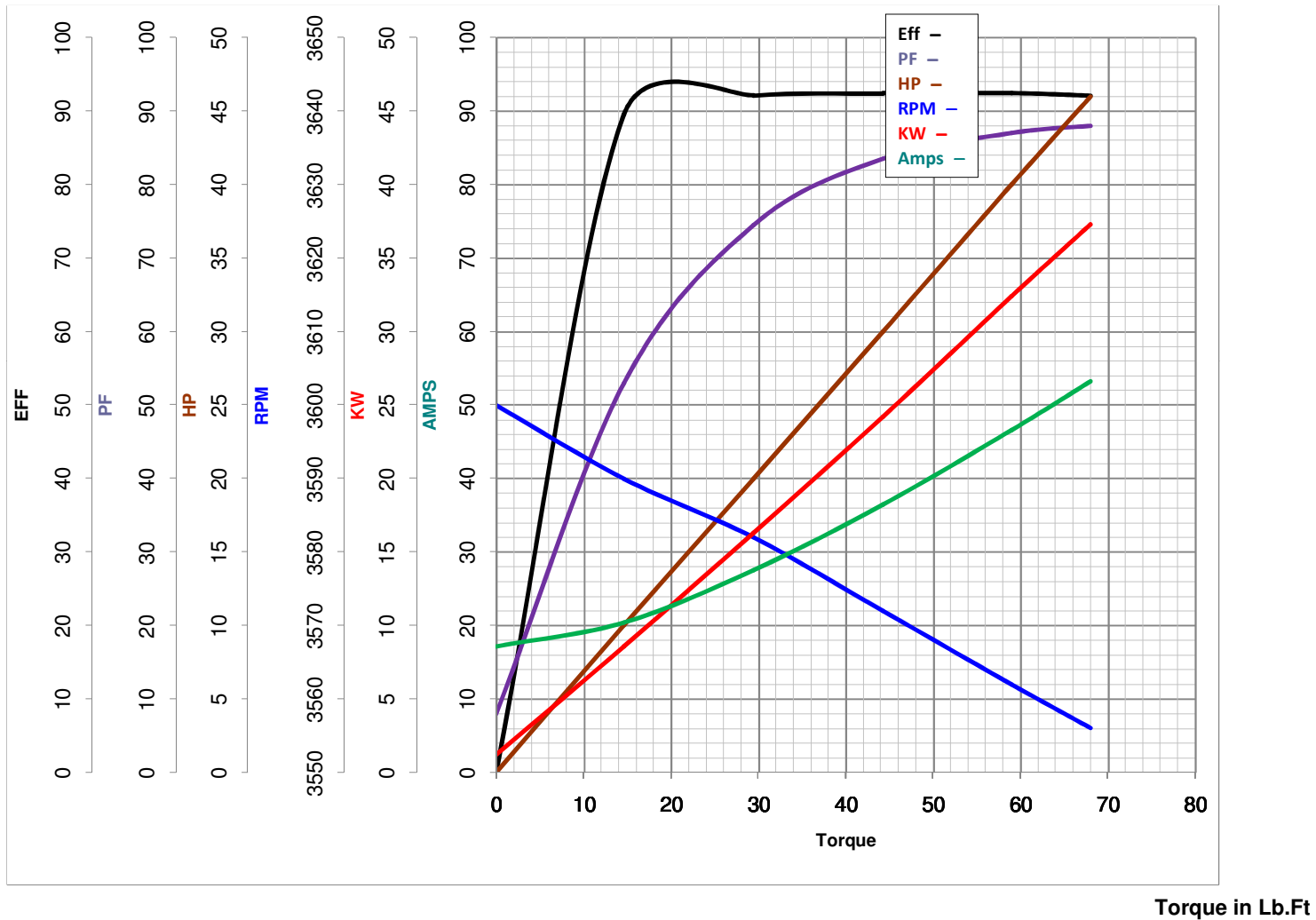
40

HP

Catalog No GT0072

HZ 60&50

RPM 3562&2965



FL TORQUE 59 Lb.Ft  
 BD TORQUE 131.0 Lb.Ft  
 LR TORQUE 101 Lb.Ft

FL AMPS 93/46.5  
 PU TORQUE 85.5 Lb.Ft  
 LR AMPS 251

WINDING HE31802008-2 Prepared By FAREEDA

Date 5/7/2018