

PRODUCT INFORMATION PACKET

marathon®
Motors

Model No: 5KC35JN70

Catalog No: C1296

.25 HP General Purpose Motor, 1 phase, 1800 RPM, 115/208-230 V, 56C Frame, ODP
Single Phase ODP Motors



Regal and Marathon are trademarks of Regal Beloit Corporation or one of its affiliated companies.
©2019 Regal Beloit Corporation, All Rights Reserved. MC017097E

REGAL

Nameplate Specifications

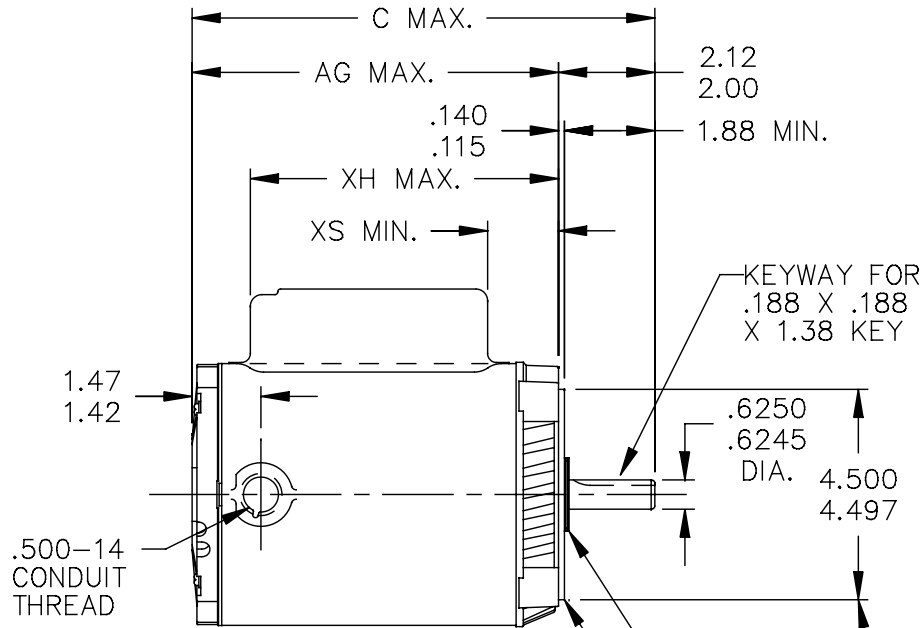
Output HP	.25 Hp	Output KW	.19 kW
Frequency	60 Hz	Voltage	115/208-230 V
Current	5.2 A	Speed	1725 rpm
Service Factor	1.35	Phase	1
Efficiency	58.3 %	Power Factor	0
Duty	CONT	Insulation Class	B
KVA Code	N	Frame	56C
Enclosure	DP	Thermal Protection	N/R
Ambient Temperature	40 °C	Drive End Bearing Size	6203
Opp Drive End Bearing Size	6203	UL	Recognized
CSA	Y	CE	N

Technical Specifications

Electrical Type	Capacitor start(CSIR)	Starting Method	SM
Poles	4	Rotation	CW/CCW
Mounting	N/R	Motor Orientation	ANY
Drive End Bearing	LOCKED	Opp Drive End Bearing	BALL
Overall Length	9.61 in	Frame Length	5.79 in
Shaft Extension	.625 X 1.88 - .188 X .188 KEY in		

This is an uncontrolled document once printed or downloaded and is subject to change without notice. Date Created:01/11/2019

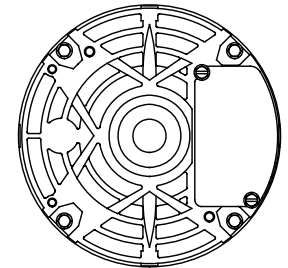
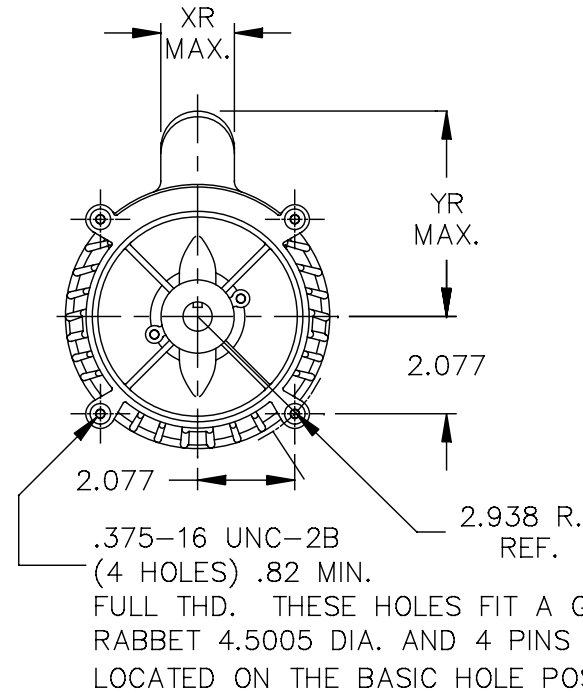
52A109305



FACE RUNOUT (WITH INDICATOR MOUNTED STATIONARY RELATIVE TO SHAFT) MUST NOT EXCEED .004 T.I.R.

WATER SLINGER (WHEN SPECIFIED)

ECCENTRICITY OF THIS SURFACE (WITH INDICATOR MOUNTED STATIONARY RELATIVE TO SHAFT) MUST NOT EXCEED .004 T.I.R.



VIEW SHOWING S.E. ENDSHIELD

4	KC	33	56C	9.23	7.09	5.83	1.52	1.60	4.36
3	KC	35	56C	9.61	7.47	6.21	1.76	2.10	4.68
2	KC	35	56C	9.61	7.47	6.21	1.76	1.60	4.31
1	KC	36	56C	10.04	7.80	7.07	1.48	1.60	4.31
P	TYPE	RBC SIZE	NEMA FR	C	AG	XH	XS	XR	YR

NO.	REVISION	BY & DATE	CHK	ANG	TOLERANCES UNLESS SPECIFIED	FINISH	CAD FILE	SIZE	DRAWING NO.	REV.
6	'XS' WAS 1.76 & 'YR' WAS 4.31, CHANGED DIMENSIONS FOR PART# 4 PER NMR-0094711	GRB 10/08/15	GRB	DEC.	INCHES					
5	REDRAWN IN DRAFT SIGHT - NO CHANGES	PVR 10/16/12	PKG	.XX	±0.02	TITLE	OUTLINE		SCALE	1=1
4	CHG TO RBC FORMAT PER IS05-1777	SUD 03/09/06		.XXX	±0.005		JET PUMP MOTOR - DRIP PROOF - R2 END MOUNTED		REF	
3	ADDED PT#4	MAM 06/16/99		.XXXX	±0.0005	MAT'L.			FMF	
				±1.0					PREV	
			RFP				52A109305	A	52A109305	6
			DIST							

THIS DRAWING IN DESIGN AND DETAIL IS OUR PROPERTY AND MUST NOT BE USED EXCEPT IN CONNECTION WITH OUR WORK ALL RIGHTS OF DESIGN AND INVENTION ARE RESERVED THIS IS AN ELECTRONICALLY GENERATED DOCUMENT - DO NOT SCALE THIS PRINT



REGAL-BELOIT CORPORATION

REGAL-BELOIT CORPORATION
JET PUMP MOTOR - DRIP PROOF - R2 END MOUNTED

DRAWNB. JOHN 06/16/93

CHK

APPD B.L.J. 06/16/93

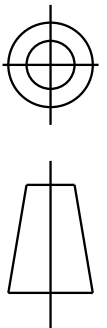
SCALE 1=1

REF

FMF

PREV

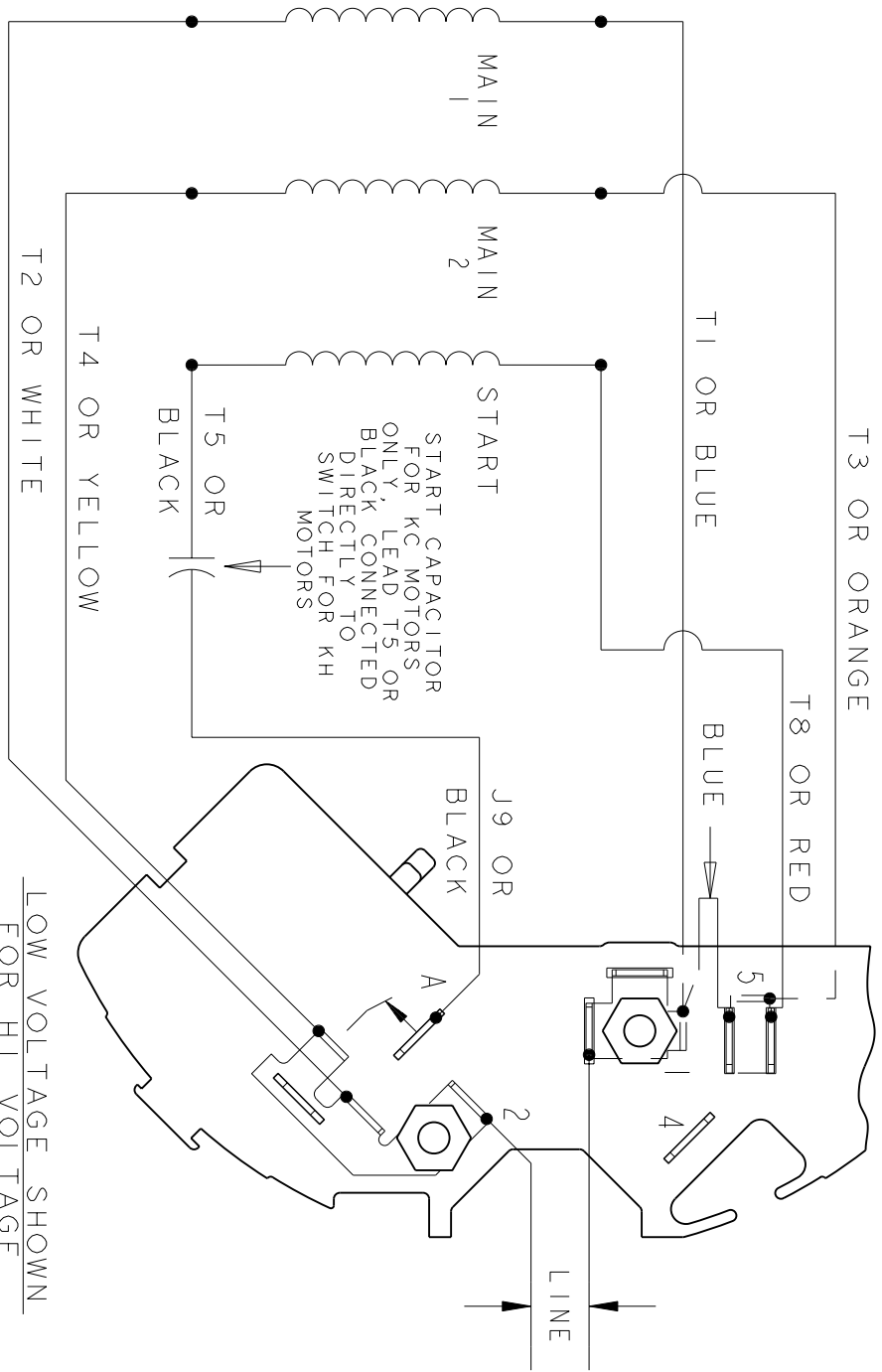
THIRD ANGLE PROJECTION



REVISIONS

REV.	DESCRIPTION	DATE	APPROVED
2	UPDATED FORMAT	01/04/06	MAM

EITHER ROTATION - DUAL VOLTAGE
TYPE KC OR KH
T3 OR ORANGE



- NOTE #1 - FOR HI VOLTAGE REMOVE BLUE FROM TERMINAL #5 AND PLACE ON TERMINAL #4, REMOVE WHITE (T2) FROM TERMINAL #2 AND PLACE ON TERMINAL #5.
- NOTE #2 - TO REVERSE ROTATION INTERCHANGE RED (T8) AND BLACK (J9-KC OR T5-KH) LEADS.
- NOTE #3 - WHEN MORE THAN ONE CAPACITOR IS USED CONNECT IN PARALLEL.

REF. DIAG. - 121A852

SWITCH (C) - 115D958AB
CONNECTION LABEL - 52X332050

LOW VOLTAGE SHOWN
FOR HI VOLTAGE
SEE NOTE #1

SIGNATURES		DATE
MODEL	M.D. PAPE	06/29/87
DETAIL	.	.
CHECKED	.	.
ENGRG	.	.
MFG	.	.
FOR ADDITIONAL INFO REFER TO:	QUALITY	.
APPLIED PRACTICES	ISSUED	M.D.P. 06/29/87
DIMENSIONS ARE IN INCHES	SOLID MODEL: 52A105381AA	



REGAL-BELOIT CORPORATION

TITLE CONNECTION DIAGRAM

FME: 30 FRAME SWITCH REDESIGN

SIZE DRAWING	A	SCALE: 1.000	REF. No.:	SHEET 1 of 1
REV	2			