

PRODUCT INFORMATION PACKET



Model No: V210M2

Catalog No: V210M2

3 HP General Purpose Motor, 1 phase, 3600 RPM, 115/208-230 V, 182T Frame, ODP
Single Phase ODP Motors



Regal and Century are trademarks of Regal Beloit Corporation or one of its affiliated companies.
©2019 Regal Beloit Corporation, All Rights Reserved. MC017097E

The REGAL logo consists of the word 'REGAL' in a bold, white, sans-serif font, set against a dark grey rectangular background with a slight shadow effect.

REGAL



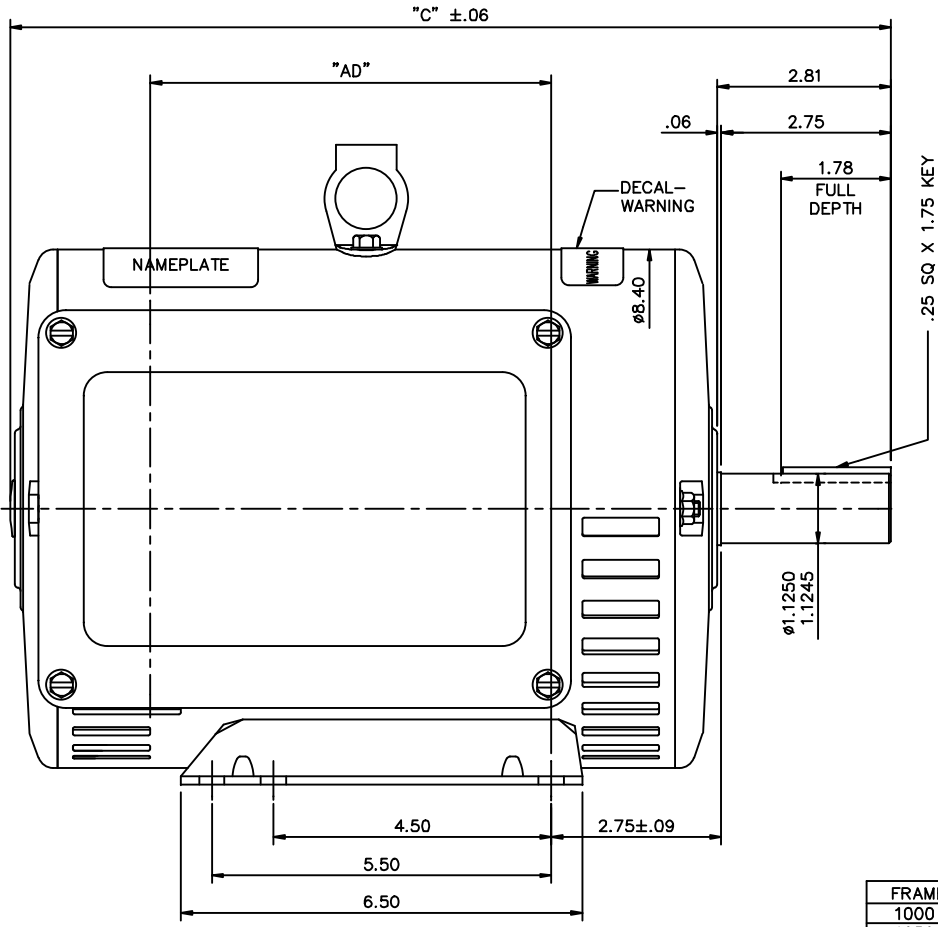
Nameplate Specifications

Output HP	3 Hp	Output KW	2.2 kW
Frequency	60 Hz	Voltage	115/208-230 V
Current	32/17.1-16.1 A	Speed	3500 rpm
Service Factor	1.15	Phase	1
Duty	Continuous	Insulation Class	F
Frame	182T	Enclosure	Open Drip Proof
Thermal Protection	No	Ambient Temperature	40 °C
UL	Recognized	CSA	Y
CE	Y		

Technical Specifications

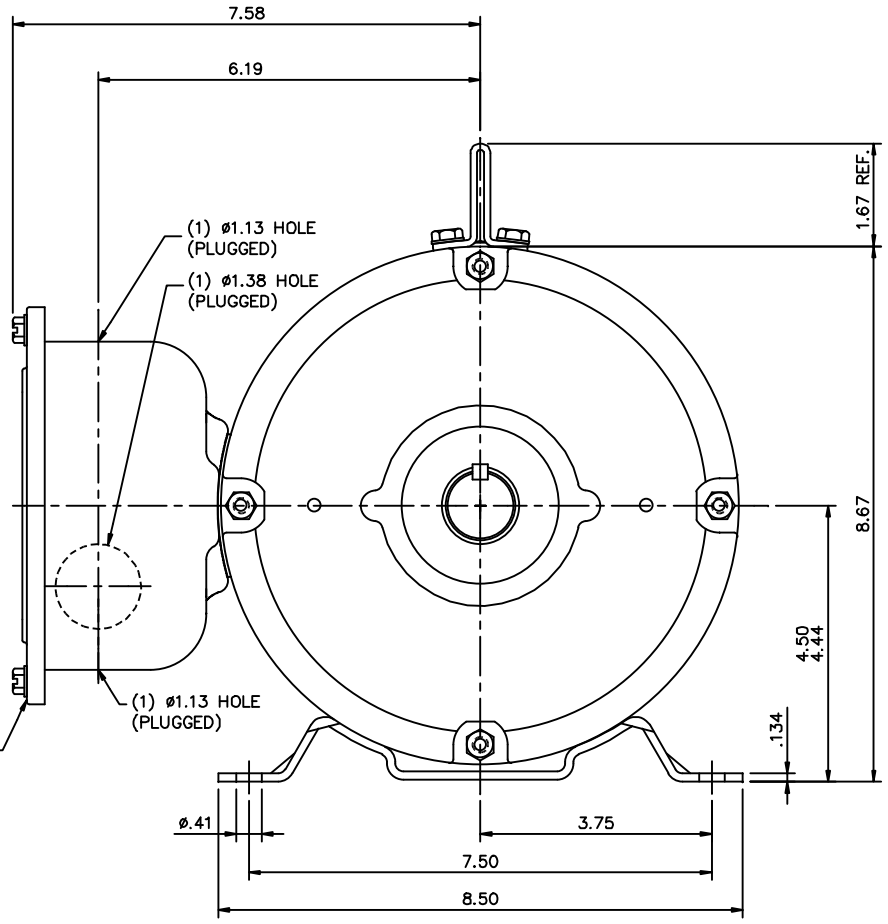
Electrical Type	Capacitor Start	Starting Method	Across The Line
Poles	2	Rotation	Counterclockwise
Mounting	Rigid base	Drive End Bearing	Ball
Opp Drive End Bearing	Ball	Frame Material	Rolled Steel
Shaft Type	Keyed	Overall Length	14.21 in
Frame Length	10.00 in	Shaft Diameter	1.125 in
Shaft Extension	2.81 in		

This is an uncontrolled document once printed or downloaded and is subject to change without notice. Date Created:30/10/2019



FRAME	"C"	"AD"
1000	14.21	6.50
1050	14.71	7.00
1100	15.21	7.50
1150	15.71	8.50
1200	16.21	9.00
1250	16.71	9.50

DECAL - CONNECTION UNDERCOVER



GASKETS THROUGHOUT

				TOLERANCES UNLESS SPECIFIED		DRAWN GR 07/17/12	
				DEC.	INCHES	CHK VS 07/17/12	
				.X	±.1	APPD	
				.XX	±.03	SCALE 1-2	
				.XXX	±.005	REF 035655	
				.XXXX	±.0005	FMF V200	
01	UPDATED "AD" DIMENSION	VS 10/8/2012	BY & DATE	CHK	ANG	PREV	
THIS DRAWING IN DESIGN AND DETAIL IS OUR PROPERTY AND MUST NOT BE USED EXCEPT IN CONNECTION WITH OUR WORK ALL RIGHTS OF DESIGN AND INVENTION ARE RESERVED THIS IS AN ELECTRONICALLY GENERATED DOCUMENT - DO NOT SCALE THIS PRINT				RFP	CAD FILE	035655CY	SIZE B
				DIST	DRAWING NO. 035655CY		REV. 01



TITLE OUTLINE- 180T FRAME DRIP PROOF- RIGID