

PRODUCT INFORMATION PACKET



Model No: A4K17DR20A

Catalog No: E101015.00

.33HP..1725RPM.48.DP.115/208-230V.1PH.60HZ.CONT.AUTOMATIC.40C.1SF.RESILIENT BASE.

Open Drip Proof (ODP)



Regal and Leeson are trademarks of Regal Beloit Corporation or one of its affiliated companies.

©2018 Regal Beloit Corporation, All Rights Reserved. MC017097E





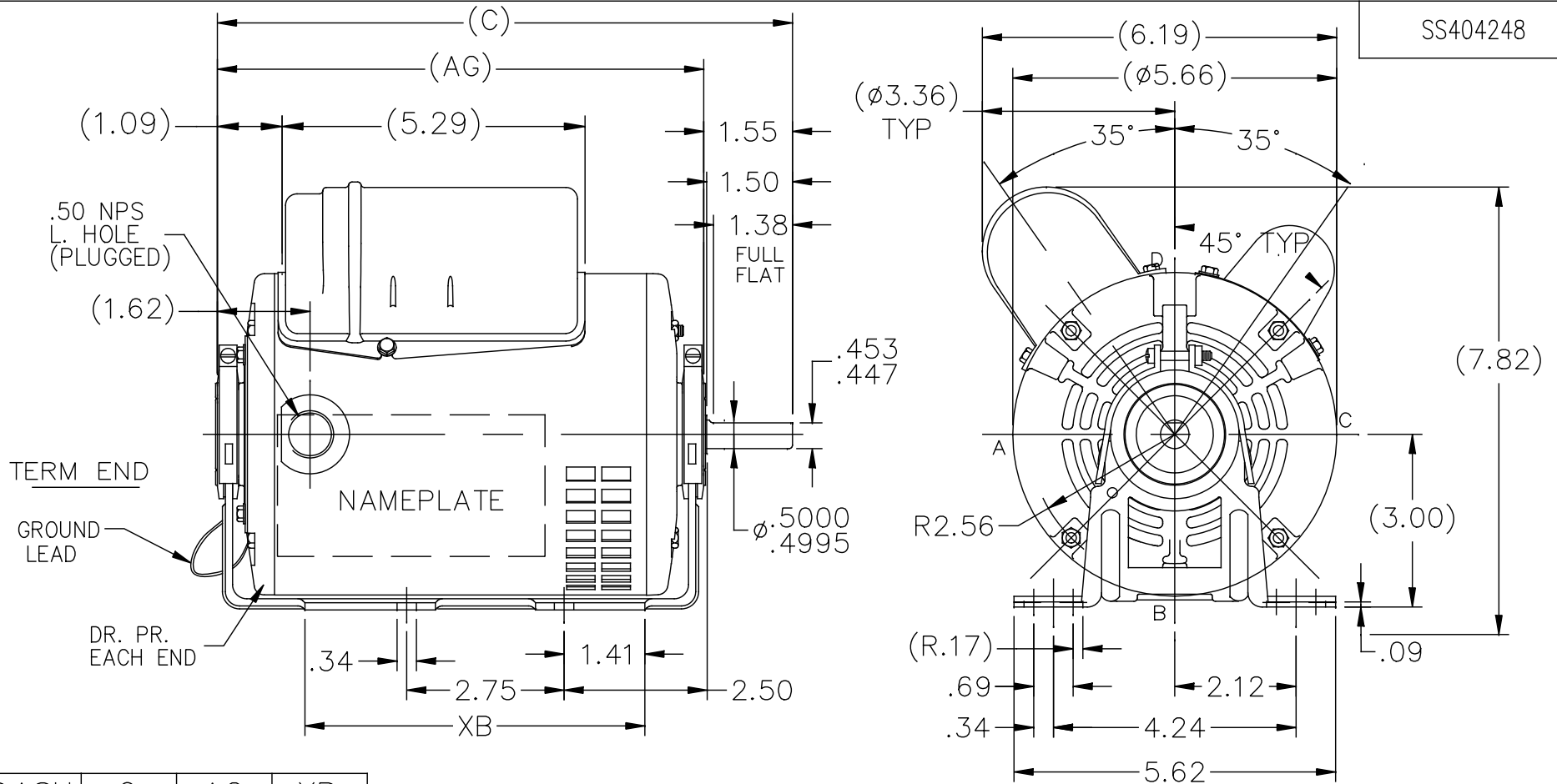
Nameplate Specifications

Output HP	0.33 Hp	Output KW	0.25 kW
Frequency	60 Hz	Voltage	115/230 V
Current	3.8/1.9 A	Speed	1725 rpm
Service Factor	1	Phase	1
Efficiency	72.4 %	Duty	Continuous
Insulation Class	B	Design Code	N
KVA Code	L	Frame	48
Enclosure	Drip Proof	Overload Protector	Automatic
Ambient Temperature	40 °C	Drive End Bearing Size	6203
Opp Drive End Bearing Size	6203	UL	Recognized
CSA	Y	CE	Y
IP Code	22		

Technical Specifications

Electrical Type	Capacitor Start Capacitor Run	Starting Method	Across The Line
Poles	4	Rotation	Selective Clockwise
Mounting	Resilient Base	Motor Orientation	HORIZONTAL
Drive End Bearing	BALL	Opp Drive End Bearing	BALL
Frame Material	Rolled Steel	Shaft Type	NEMA 48
Overall Length	10.34 in	Frame Length	6.75 in
Shaft Diameter	0.500 in	Shaft Extension	1.5 in
Assembly/Box Mounting	F1 ONLY		
Outline Drawing	A-SS404248-675	Connection Diagram	A-EE9002CN

SS404248



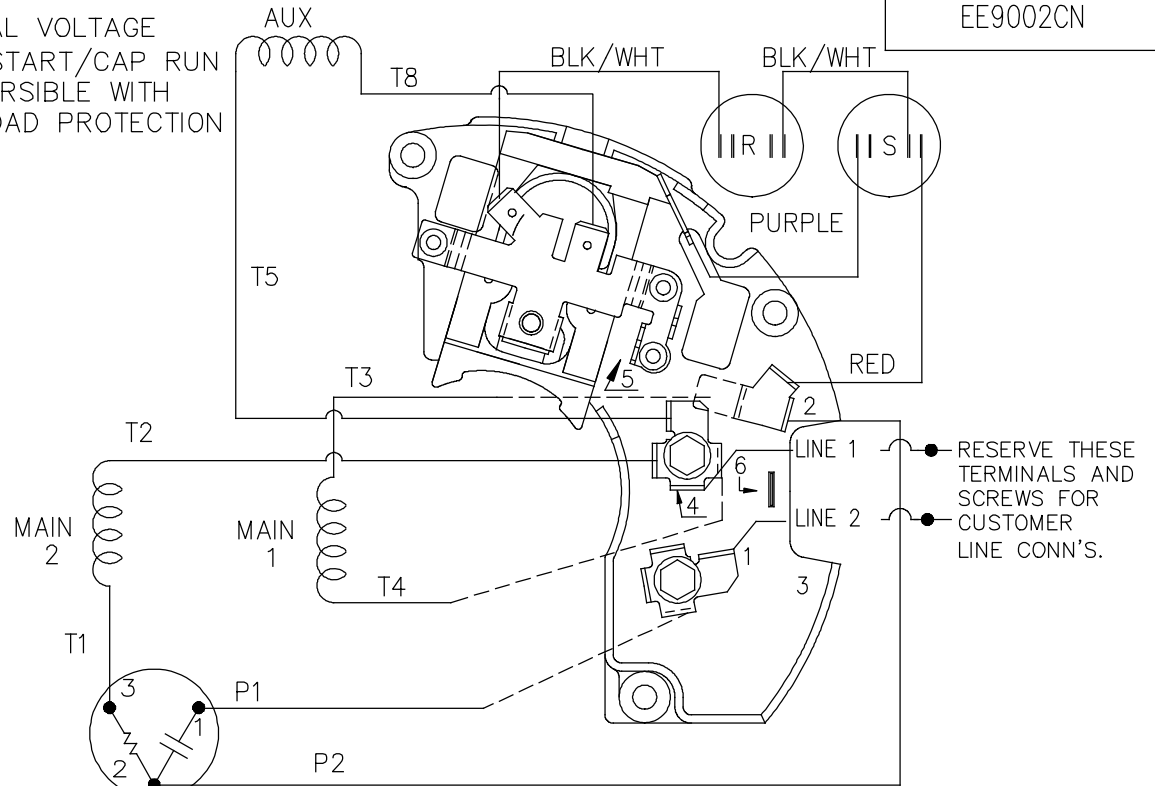
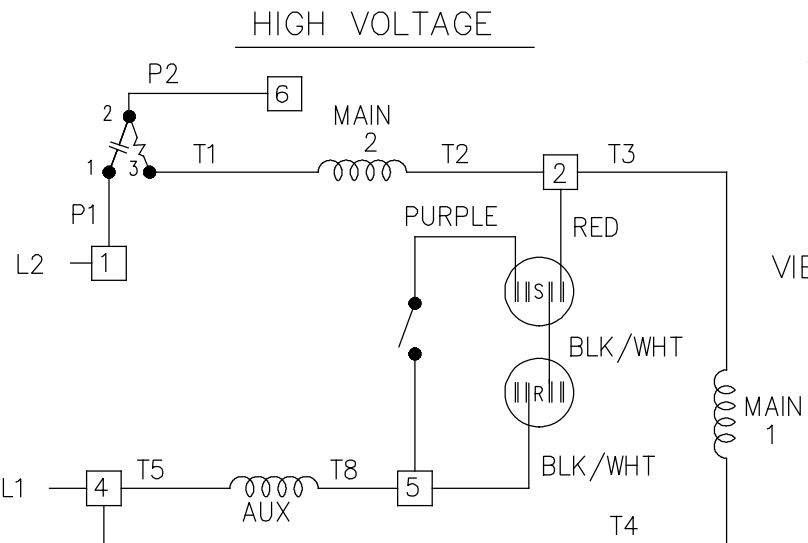
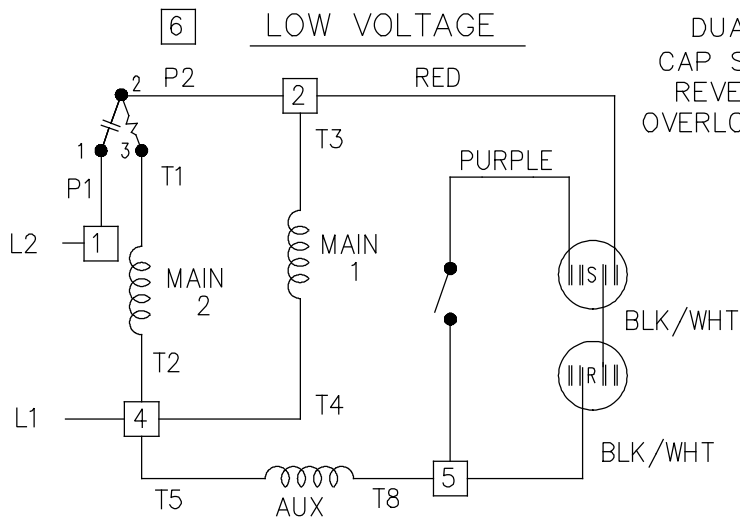
DASH	C	AG	XB
650	10.09	8.50	6.69
675	10.34	8.75	6.94
700	10.59	9.00	7.19
750	11.09	9.50	7.69

SHAFT ENDPLAY: .022 MAX.

				TOLERANCES UNLESS SPECIFIED		REGAL™ Regal Beloit America, Inc.	DRAWN MVG 03/14/2017		
				DEC.	INCHES		CHK PVR 03/14/2017	APPD PVR 03/14/2017	SCALE 3=8
				.X	±.1	TITLE OUTLINE 48 FR - DP		REF SS404133	
				.XX	±.03		MAT'L.	FMF	
				.XXX	±.005		FINISH	PREV	
A	NEW DRAWING	MVG 03/14/2017	PVR	.XXXX	±.0005				
NO.	REVISION	BY & DATE	CHK	ANG	±7'30"				
			RFP			CAD FILE SS404248	SIZE A	DRAWING NO. PAGE 1 OF 1	REV. A
			DIST	WP				SS404248	

THIS DRAWING IN DESIGN AND DETAIL IS OUR PROPERTY AND MUST NOT BE USED EXCEPT IN CONNECTION WITH OUR WORK ALL RIGHTS OF DESIGN AND INVENTION ARE RESERVED THIS IS AN ELECTRONICALLY GENERATED DOCUMENT - DO NOT SCALE THIS PRINT

EE9002CN



VIEWING TERM END

LOW VOLTAGE CW LEAD END ROTATION SHOWN.

FOR HIGH VOLTAGE
CONNECT P2 TERM 2 TO TERM 6.
CONNECT T2 TERM 4 TO TERM 2.

TO REVERSE ROTATION EITHER
VOLTAGE INTERCHANGE RED
LEAD WITH T5 LEAD.

DASH LINES INDICATE LEADS CONNECTED
TO MOTOR SIDE OF SWITCH.

		TOLERANCES UNLESS SPECIFIED		REGAL™ Regal Beloit America, Inc.	DRAWN
		DEC.	INCHES		MVG 03/24/2017
		.X	± -		CHK PVR 03/24/2017
		.XX	± -		APPD PVR 03/24/2017
B	CHANGED IN NOTES FROM LEAD T8 TO RED	MVG 09/14/17	GS .XXX ± -	TITLE CONNECTION DIAGRAM	SCALE NTS
A	NEW CONNECTION DWG	MVG 03/24/2017	PVR .XXXX ± -	48 FR. DUAL VOLTAGE REVERSIBLE	REF EE9002CB
NO.	REVISION	BY & DATE	CHK ANG ± -	MAT'L.	FMF
				FINISH	PREV
THIS DRAWING IN DESIGN AND DETAIL IS OUR PROPERTY AND MUST NOT BE USED EXCEPT IN CONNECTION WITH OUR WORK ALL RIGHTS OF DESIGN AND INVENTION ARE RESERVED THIS IS AN ELECTRONICALLY GENERATED DOCUMENT - DO NOT SCALE THIS PRINT			RFP	CAD FILE EE9002CN	SIZE A
			DIST WP		DRAWING NO. EE9002CN
					PAGE 1 OF 1
					REV. B



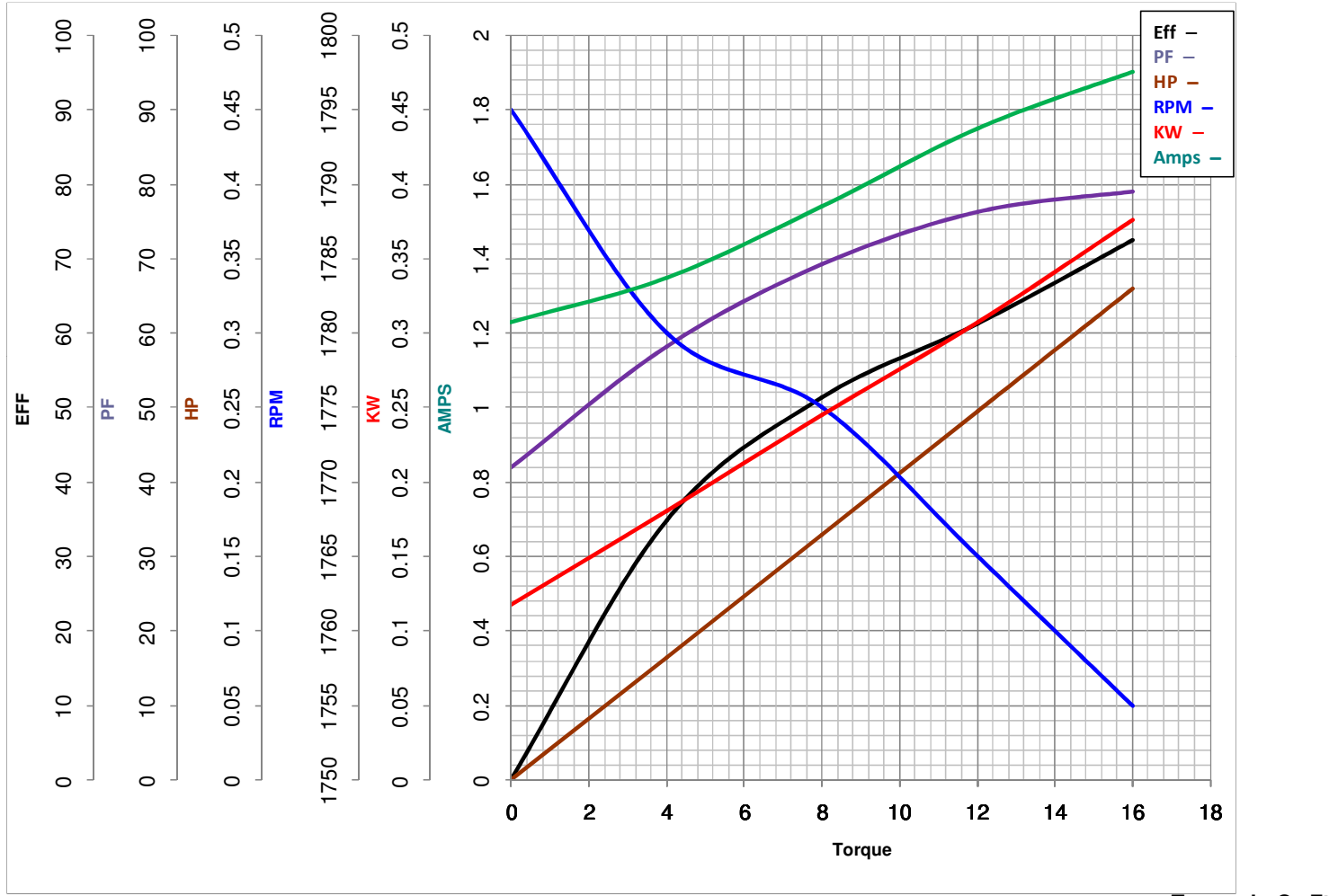
LEESON ELECTRIC CORPORATION
 TYPICAL PERFORMANCE CURVE for AC MOTOR

Model No E101015.00

Curve at 230 Volts HP 0.34 PHASE 1
60 HZ
0.33 HP VOLTS 115/230

Catalog No E101015.00

HZ 60 RPM 1725



FL TORQUE	<u>16</u>	Oz.Ft	FL AMPS	<u>3.8/1.9</u>	
BD TORQUE	<u>43.5</u>	Oz.Ft	PU TORQUE	<u>58.0</u>	Oz.Ft
LR TORQUE	<u>58</u>	Oz.Ft	LR AMPS	<u>14.2</u>	
WINDING	BE484111-3		Date	<u>3/27/2018</u>	