

PRODUCT INFORMATION PACKET

Model No: 5K49MN6021

Catalog No: K1325

.5 HP General Purpose Motor, 3 phase, 1200 RPM, 208-230/460 V, 56C Frame, TEFC
Three Phase TEFC Motors



Nameplate Specifications

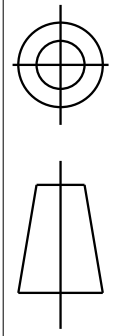
Output HP	.5 Hp	Output KW	.37 kW
Frequency	60 Hz	Voltage	208-230/460 V
Current	2.6-2.6 A	Speed	1140 rpm
Service Factor	1.25	Phase	3
Efficiency	69.9 %	Power Factor	0
Duty	CONT	Insulation Class	B
KVA Code	L	Frame	56C
Enclosure	TEFC	Thermal Protection	N/R
Ambient Temperature	40 °C	Drive End Bearing Size	6203
Opp Drive End Bearing Size	6203	UL	Recognized
CSA	Y	CE	N

Technical Specifications

Electrical Type	Three Phase	Starting Method	N/R
Poles	6	Rotation	CCW/CW
Mounting	WB	Motor Orientation	ANY
Drive End Bearing	BALL	Opp Drive End Bearing	BALL
Overall Length	11.44 in	Frame Length	6.15 in
Shaft Extension	.625 X 1.88 - .188 X .188 KEY in		

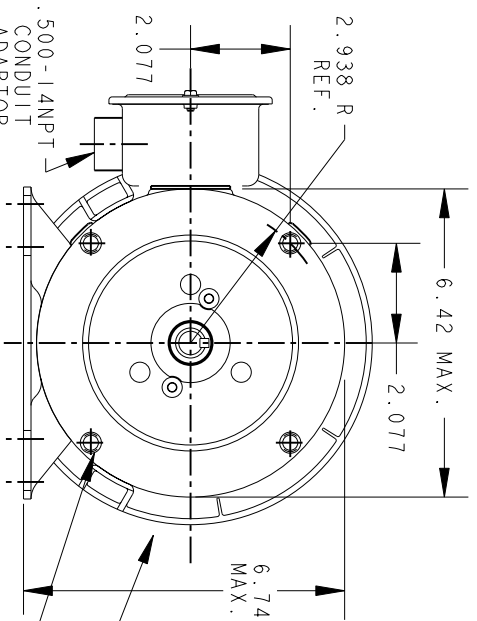
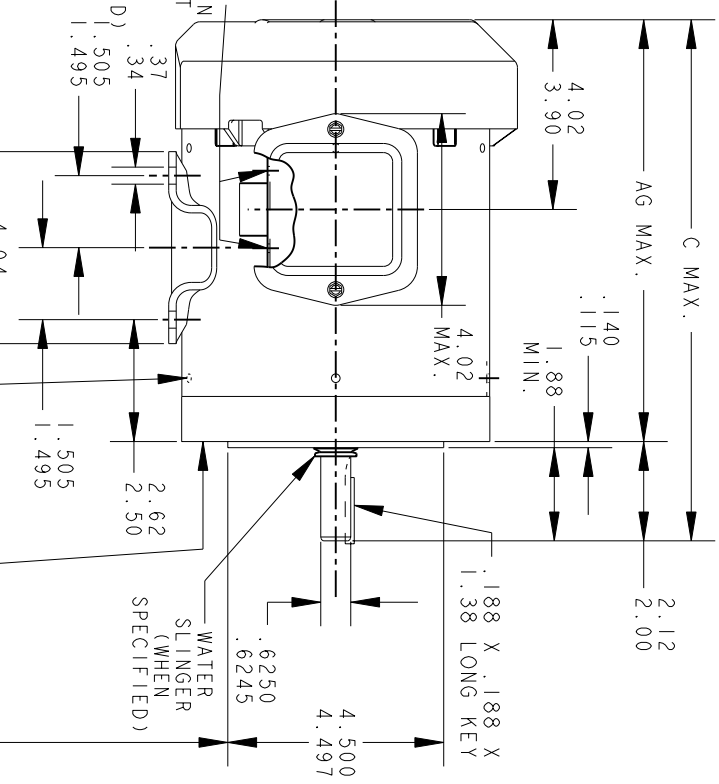
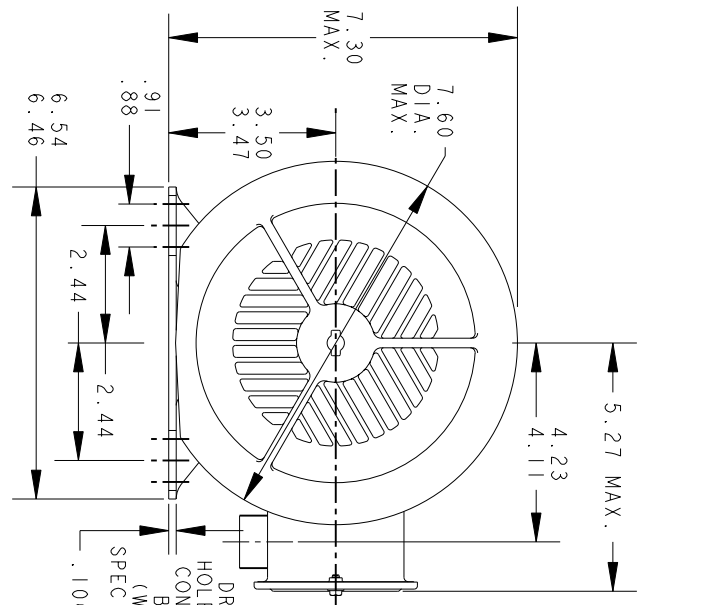
This is an uncontrolled document once printed or downloaded and is subject to change without notice. Date Created:01/11/2019

THIRD ANGLE PROJECTION



REVISIONS

REV.	DESCRIPTION	DATE	APPROVED
2	CHANGES PER T199-24, 654.	08/27/99	M. D. PAPE
3	CHG TO RBC FORMAT PER IS05-11777	03/07/06	SUDHA



ECCENTRICITY OF THIS SURFACE (WITH INDICATOR MOUNTED STATIONARY RELATIVE TO SHAFT) MUST NOT EXCEED .004 T.I.R.

FACE RUNOUT (WITH INDICATOR MOUNTED STATIONARY RELATIVE TO SHAFT) MUST NOT EXCEED .004 T.I.R.

SHELL DRAIN HOLES (7)
(WHEN SPECIFIED)
4 ON PE AT 3, 6, 9, & 12 O'CLOCK
3 ON OPE AT 6, 9, & 1 O'CLOCK

VIEW OF P.E. END SHIELD

.375-16 UNC-2B (4 HOLES) .70 MIN. FULL THREAD. THESE HOLES FIT A GAGE HAVING A RABBIT 4.5005 DIA. AND 4 PINS .2917 DIA. LOCATED ON THE BASIC HOLE POSITIONS.

4	3	2	1	P
K	K	K	K	TYPE
49	49	46	42	GE SIZE
56C	56C	56C	56C	NEMA FR
12.44	11.44	11.84	11.01	C
10.32	9.32	9.72	8.89	AG
7.15	6.15	6.55	5.72	MIN. SHELL



REGAL-BELOTT CORPORATION

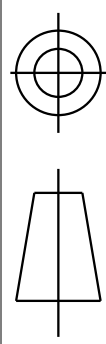
TITLE
40 FRAME REDESIGN - WASH DOWN DUTY MOTOR - TEFC BALL BEARING - WELDED BASE - R2 END MOUNTED

SIGNATURES		DATE
MODEL	B. JOHNSON	06/08/93
DETAIL		
CHECKED		
ENGRG		
MFG		
QUALITY		
ISSUED	B. L. J.	06/08/93
SOLID MODEL:	52A107854	

FOR ADDITIONAL INFO REFER TO:
APPLIED PRACTICES
DIMENSIONS ARE IN INCHES
SCALE: 0.250 REF. No.:
SHEET 1 of 1

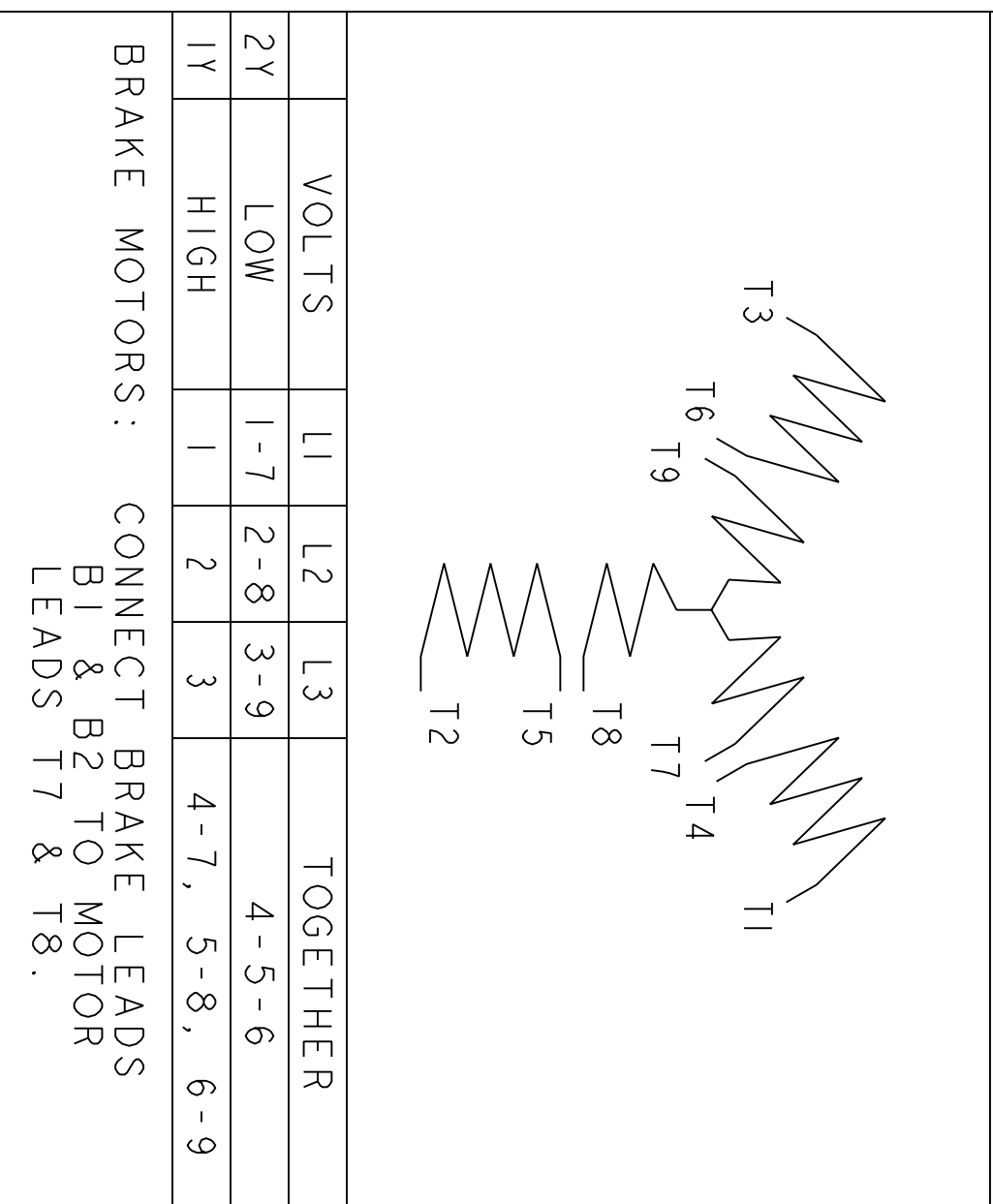
52A107854

REV.	DESCRIPTION	DATE	APPROVED
1	CHG TO RBC FORMAT PER IS05-1777	06/15/06	MADHU
2	RENAMED 113A930_FIG-2 TO 113A930FIG2 PER IS07-0972	05/08/07	MADHU



THIRD ANGLE PROJECTION

FIG. 2
3 PHASE



FOR ADDITIONAL INFO REFER TO:	SIGNATURES	DATE
APPLIED PRACTICES	M.D. PAPE	02/23/03
DIMENSIONS ARE IN INCHES	DETAIL	.
TOLERANCE ON:	CHECKED	.
1 PL DECIMALS ± 0.1	ENGRG	.
2 PL DECIMALS ± 0.02	MFG	.
3 PL DECIMALS ± 0.005	QUALITY	.
ANGLES ± 1.0	ISSUED	M.D. PAPE
FRACTIONS ±	FINISH	02/23/03
MATERIAL	SOLID MODEL: 113A930FIG2	



REGAL-BELOIT CORPORATION

TITLE
CONNECTION DIAGRAM

SIZE	DRAWING	REV
A		2
SCALE: 1.000	REF. No: .	SHEET 1 of 1