

PRODUCT INFORMATION PACKET



Model No: TE116
Catalog No: TE116
2 HP General Purpose Motor, 3 phase, 1800 RPM, 575 V, 145T Frame, TEFC
Three Phase TEFC Motors



Regal and Century are trademarks of Regal Beloit Corporation or one of its affiliated companies.
©2019 Regal Beloit Corporation, All Rights Reserved. MC017097E





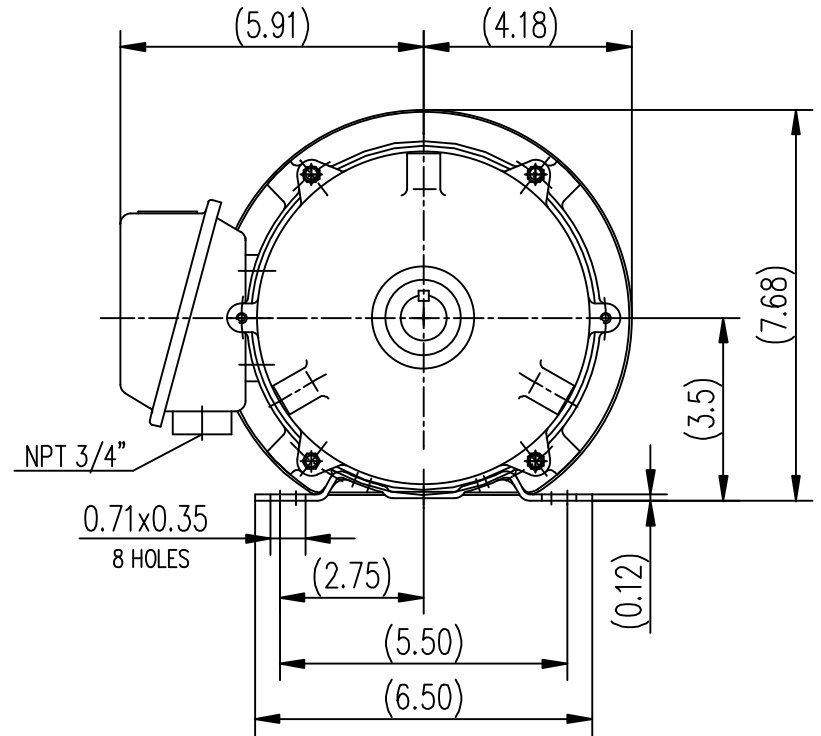
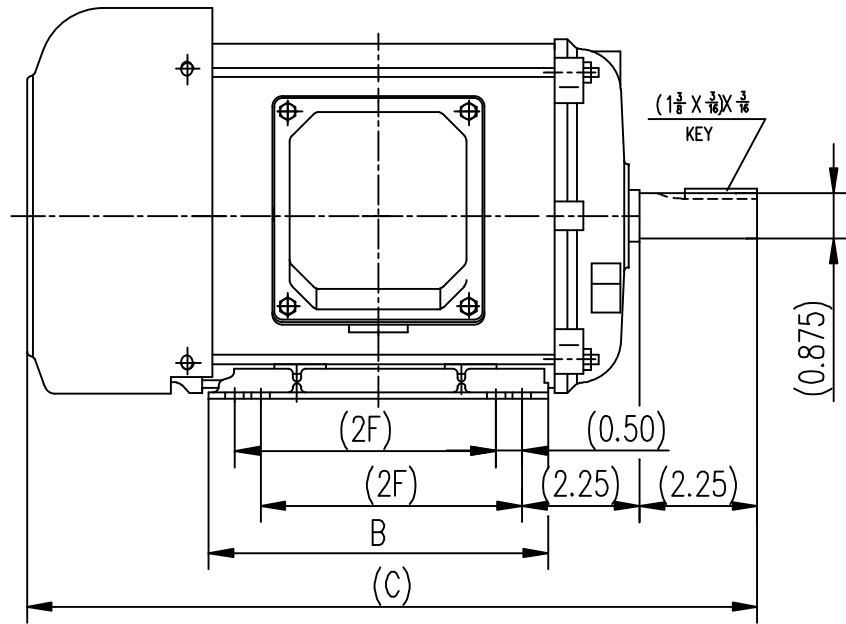
Nameplate Specifications

| | | | |
|--------------------|-------------------|---------------------|------------------------------------|
| Output HP | 2 Hp | Output KW | 1.5 kW |
| Frequency | 60 Hz | Voltage | 575 V |
| Current | 2 A | Speed | 1730 rpm |
| Service Factor | 1.15 | Phase | 3 |
| Duty | Continuous | Insulation Class | F |
| Frame | 145T | Enclosure | Totally Enclosed Fan Cooled |
| Thermal Protection | None | Ambient Temperature | 40 °C |
| UL | Recognized | CSA | Y |
| CE | Y | | |

Technical Specifications

| | | | |
|-----------------------|-------------------|-------------------|------------------------|
| Electrical Type | POLYPHASE | Starting Method | Across The Line |
| Poles | 4 | Rotation | Reversible |
| Mounting | Rigid Base | Drive End Bearing | Ball |
| Opp Drive End Bearing | Ball | Frame Material | Rolled Steel |
| Shaft Type | Keyed | Overall Length | 14.20 in |
| Frame Length | 6.75 in | Shaft Diameter | 0.875 in |
| Shaft Extension | 2.25 in | | |

This is an uncontrolled document once printed or downloaded and is subject to change without notice. Date Created:30/10/2019



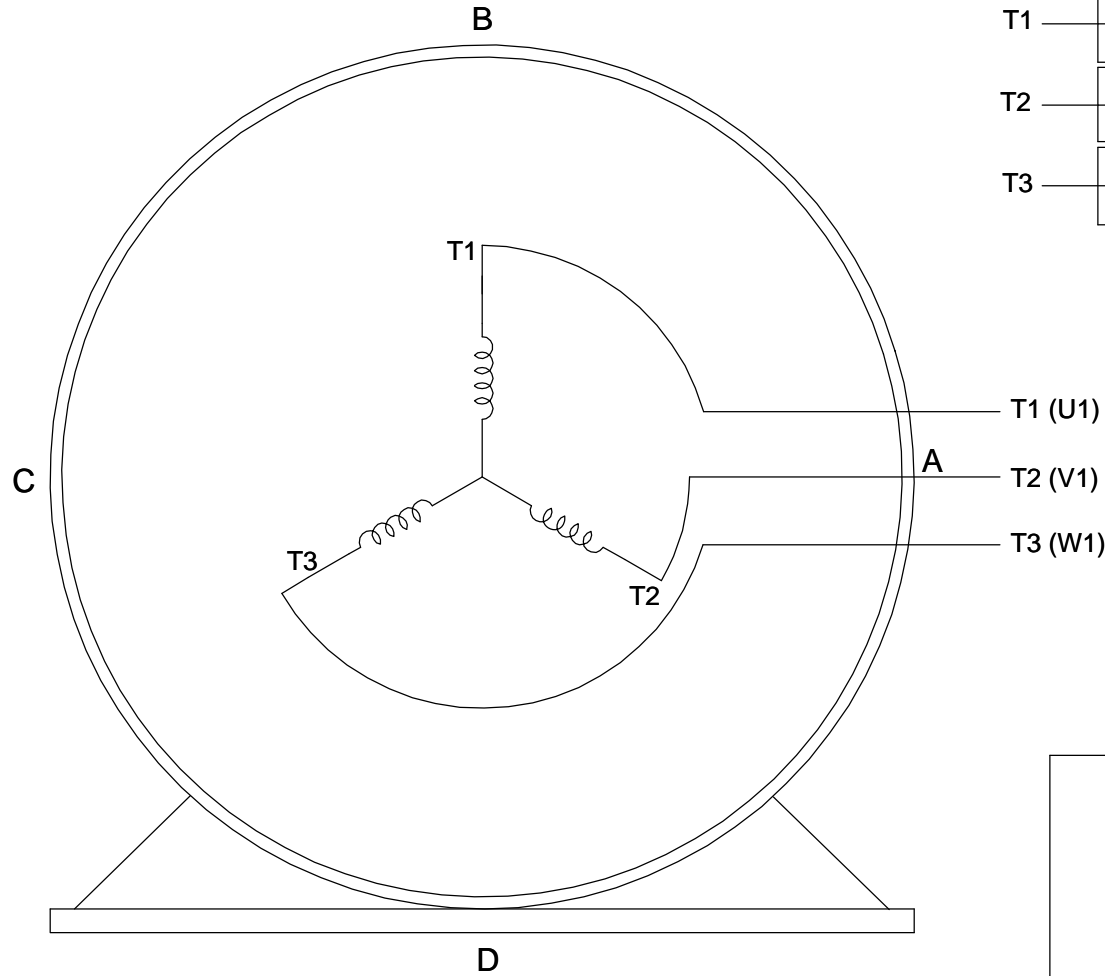
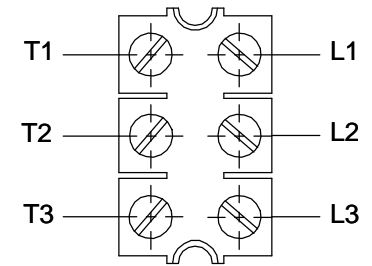
| TYPE | 2F | B | C |
|-----------|-----|------|------|
| TEFC 143T | 4.0 | 5.71 | 13.2 |
| TEFC 145T | 5.0 | 6.70 | 14.2 |

| TOLERANCES UNLESS SPECIFIED | | REGAL REGAL-BELOIT CORPORATION | | DRAWN WY 7-28-2012 | | | | |
|--|----------|--|------|--------------------|----------|--------|-------------|------|
| DEC. | INCHES | | | CHK | | | | |
| .X | ±.1 | TITLE 143/145T FR TEFC-ROLLED STEEL | | APPD | | | | |
| .XX | ±.03 | | | SCALE | | | | |
| .XXX | ±.005 | | | REF | | | | |
| .XXXX | ±.0005 | | | FMF | HWADA | | | |
| NO. | REVISION | BY & DATE | CHK | ANG | ±1/2? | FINISH | PREV | |
| THIS DRAWING IN DESIGN AND DETAIL IS OUR PROPERTY AND MUST NOT BE USED EXCEPT IN CONNECTION WITH OUR WORK ALL RIGHTS OF DESIGN AND INVENTION ARE RESERVED THIS IS AN ELECTRONICALLY GENERATED DOCUMENT - DO NOT SCALE THIS PRINT | | | RFP | CAD FILE | SS620612 | SIZE | DRAWING NO. | |
| | | | DIST | | | B | SS620612 | REV. |

**THREE PHASE - SINGLE VOLTAGE
MOTOR - CONDUIT BOX @ 'A'**

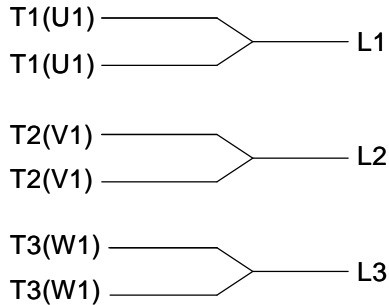
**TO REVERSE ROTATION:
INTERCHANGE ANY TWO
LINE LEAD CONNECTIONS.**

TERMINAL BLOCK WHEN SPECIFIED



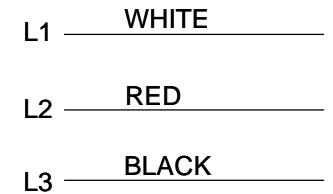
VIEW OF TERMINAL END

**IF MOTOR HAS
6 LEADS**

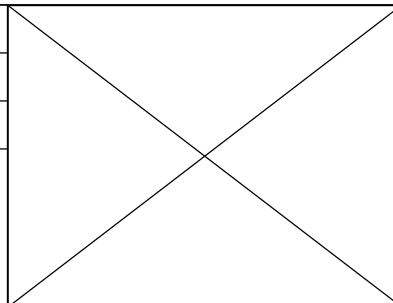


A-9806 DECAL

**OPTIONAL CORD
CONNECTION**



| | | |
|---|--------------------|--------------------|
| DRAWING REVISION AB | REVISION BY JJB | DATE 06-27-2017 |
| ECO ECO-0125361 | APPROVED BY TB | DATE 06-27-2017 |
| ECO DESCRIPTION UPDATED TO CURRENT STANDARDS | | |
| <small>COPYRIGHT REGAL BELOIT AMERICA, INC. ALL RIGHTS RESERVED. PROPRIETARY AND CONFIDENTIAL INFORMATION - THIS DOCUMENT IS THE PROPERTY OF REGAL BELOIT AMERICA, INC. ("OWNER") AND CONTAINS OWNER'S PROPRIETARY INFORMATION. ANY PERSON, CORPORATION OR OTHER FIRM RECEIVING IT IS DEEMED, BY RECEIVING IT, TO AGREE THAT IT, AND/OR ANY PART OF IT, SHALL NOT BE DISCLOSED TO ANY PERSON, CORPORATION OR OTHER ENTITY, DUPLICATED, AND/OR USED, EXCEPT AS EXPRESSLY APPROVED IN WRITING IN ADVANCE BY OWNER. THIS DOCUMENT SHALL BE RETURNED TO OWNER UPON REQUEST. IT MAY BE SUBJECT TO CERTAIN RESTRICTIONS UNDER APPLICABLE EXPORT CONTROL LAWS AND REGULATIONS.</small> | | |



| |
|---------------------------|
| DRAWN BY DA |
| DATE 03-26-1993 |
| APPROVED BY TB |
| DATE 03-26-1993 |
| REFERENCE |
| THIRD ANGLE PROJECTION |

| | |
|--|---------------------------------|
| Regal Beloit America, Inc. | |
| DESCRIPTION CONNECTION DIAGRAM EXTERNAL - SINGLE VOLTAGE - 3Ø MOTOR | |
| MATERIAL | PROCESS/FINISH |
| SIZE A | DRAWING NUMBER EE7300 |
| SHEET 1 OF 1 | |