

PRODUCT INFORMATION PACKET

Model No: 184TTDW7101
Catalog No: H183A
1 1/2,900,DP,184T,3/60/230/460
Open Drip Proof (ODP)



Regal and Marathon are trademarks of Regal Beloit Corporation or one of its affiliated companies.
©2018 Regal Beloit Corporation, All Rights Reserved. MC017097E



Nameplate Specifications

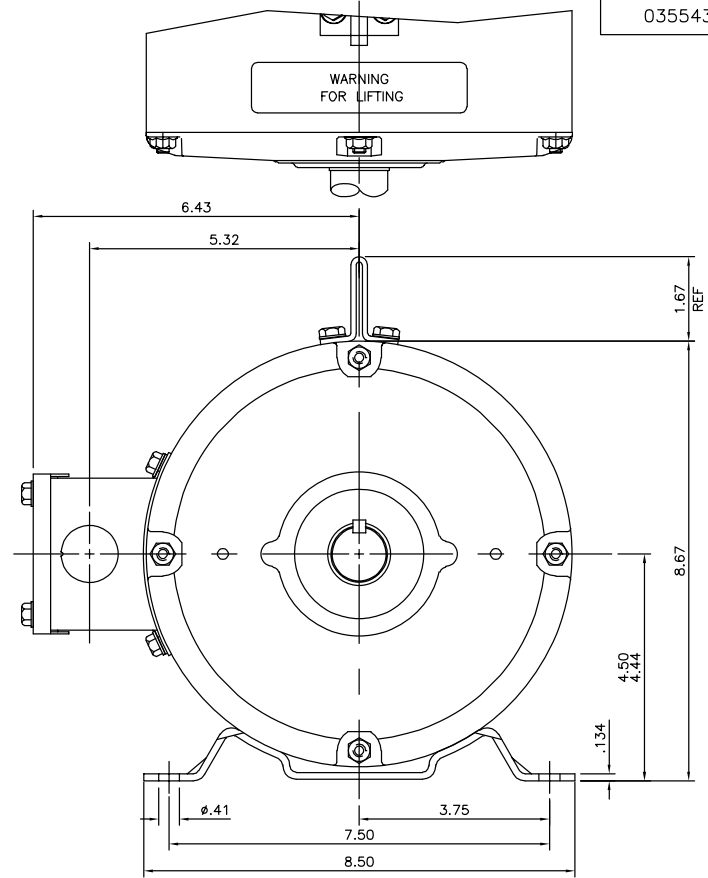
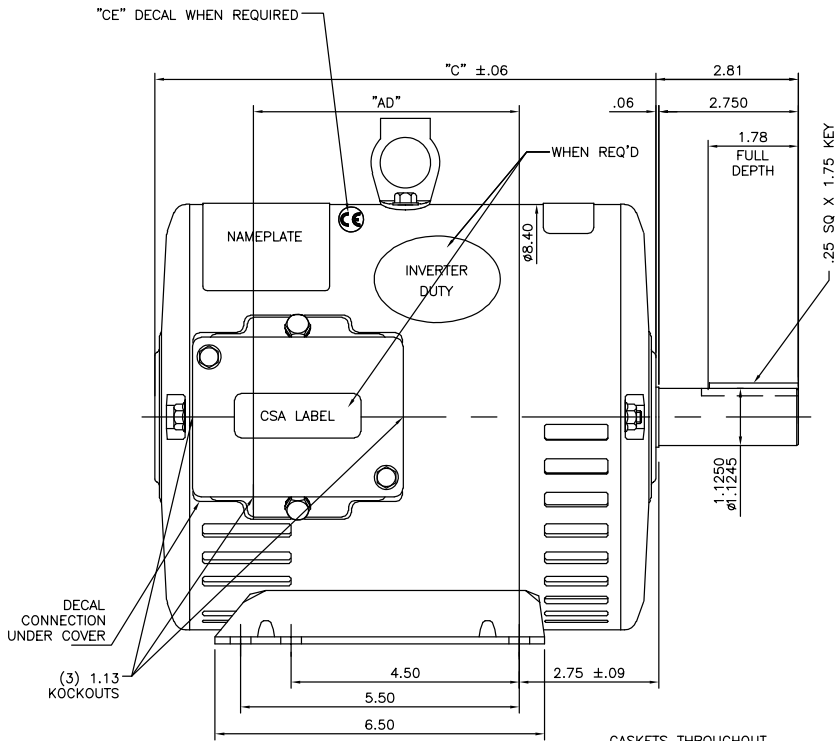
Output HP	1.50 Hp	Output KW	1.1 kW
Frequency	60 Hz	Voltage	230/460 V
Current	5.6/2.8 A	Speed	865 rpm
Service Factor	1.15	Phase	3
Efficiency	77.1 %	Duty	Continuous
Insulation Class	F	Design Code	B
KVA Code	H	Frame	184T
Enclosure	Drip Proof	Overload Protector	No
Ambient Temperature	40 °C	Drive End Bearing Size	6206
Opp Drive End Bearing Size	6205	UL	Recognized
CSA	Y	CE	Y
IP Code	22		

Technical Specifications

Electrical Type	Squirrel Cage Induction Run	Starting Method	Across The Line
Poles	8	Rotation	Reversible
Mounting	Rigid base	Motor Orientation	Horizontal
Drive End Bearing	Ball	Opp Drive End Bearing	Ball
Frame Material	Rolled Steel	Shaft Type	T
Overall Length	13.19 in	Frame Length	9.00 in
Shaft Diameter	1.125 in	Shaft Extension	2.81 in
Assembly/Box Mounting	F1 Only		
Outline Drawing	035543-900	Connection Diagram	005010.01ME

This is an uncontrolled document once printed or downloaded and is subject to change without notice. Date Created: 07/02/2018

035543



GASKETS THROUGHOUT

DASH NO.	"C"	"AD"
850	12.69	5.25
900	13.19	5.75
950	13.69	6.25
1000	14.19	6.75
1050	14.69	7.25
1100	15.19	7.75
1150	15.69	8.25
1200	16.19	8.75

NO.	REVISION	BY & DATE	CHK	ANG
01	WHEN REQ'D NOTE ADDED	PVR 06/16/15	GR	.XXXX ±.0005

TOLERANCES UNLESS SPECIFIED	
DEC.	INCHES
X	±.1
.XX	±.03
.XXX	±.005
.XXXX	±.0005
CHK	ANG ±1/2'

MARATHON ELECTRIC

TITLE: OUTLINE - 180T FRAME
DRIP PROOF - RIGID

MAT'L

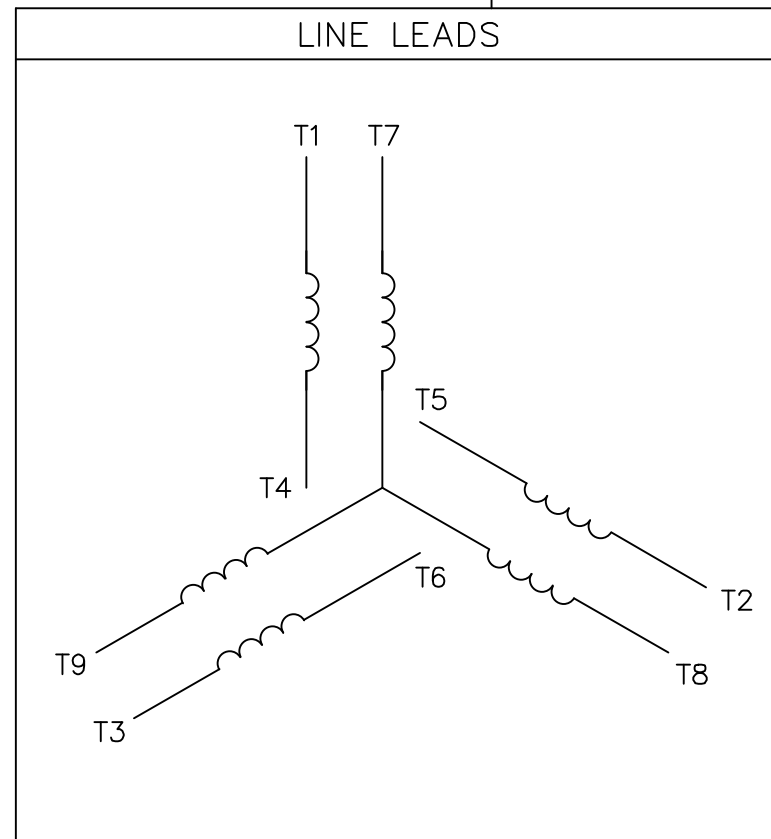
FINISH

CAD FILE: 035543

DRAWN	YS 03/14/08
CHK	YS 08/08/07
APPD	
SCALE	1=2
REF	035534
FMF	
PREV	
SIZE	DRAWING NO.
B	035543
REV.	01

THIS DRAWING IN DESIGN AND DETAIL IS OUR PROPERTY AND MUST NOT BE USED EXCEPT IN CONNECTION WITH OUR WORK ALL RIGHTS OF DESIGN AND INVENTION ARE RESERVED
THIS IS AN ELECTRONICALLY GENERATED DOCUMENT - DO NOT SCALE THIS PRINT

VIEW FROM OUTSIDE OF MOTOR AT SWITCH END.



VOLTAGE	L1	L2	L3	JOIN & INSULATE
HIGH	T1	T2	T3	(T4,T7) (T5,T8) (T6,T9)
LOW	T1,T7	T2,T8	T3,T9	T4,T5,T6

		TOLERANCES UNLESS SPECIFIED		MARATHON ELECTRIC		DRAWN RDW 04/12/02	
		DEC.	INCHES			CHK	
		.X	±.1			APPD	
		.XX	±.01	TITLE		SCALE 1=1	
		.XXX	±.005	EXTERNAL WIRING DIAGRAM 3 PHASE W/O PROTECTOR		REF FIG.2-51	
		.XXXX	±.0005	MAT'L.		FMF	
				DECAL - 004014		PREV	
NO.	REVISION	BY & DATE	CHK	ANG	±1/2'	FINISH	
			RFP	04/12/02		CAD FILE	00501001ME
			DIST			SIZE	A
						DRAWING NO.	005010-01ME
						REV.	

THIS DRAWING IN DESIGN AND DETAIL IS OUR PROPERTY AND MUST NOT BE USED EXCEPT IN CONNECTION WITH OUR WORK ALL RIGHTS OF DESIGN AND INVENTION ARE RESERVED THIS IS AN ELECTRONICALLY GENERATED DOCUMENT - DO NOT SCALE THIS PRINT

Data Sheet

Date: 29-06-2017
 Customer: _____
 Attention: _____
 Submitted by: FAREEDA DUDEKULA



184TTDW7101

Submittal

Data @ 460 V

Motor Load Data

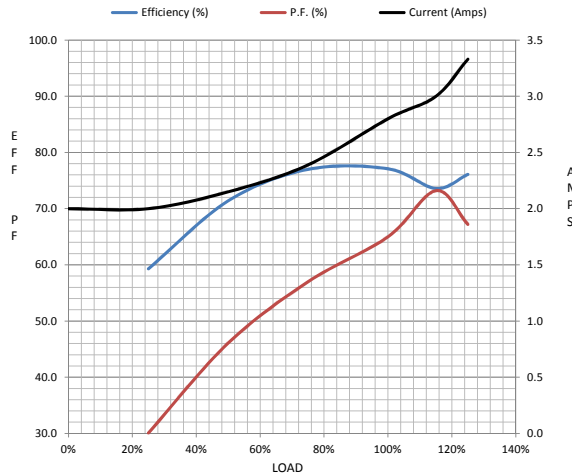
Load	0%	25%	50%	75%	100%	115%	125%	LR
Current (Amps)	2.00	2.00	2.15	2.39	2.80	3.0	3.3	12.1
Torque (ft-lb)	0.00	2.25	4.5	6.8	9.1	10.6	11.3	19.4
RPM	900	890	882	872	865	855	849	0
Efficiency (%)		59.3	71.4	77.0	77.1	73.6	76.1	
P.F. (%)	10.0	30.1	46.1	57.0	65.0	73.2	67.2	48.2

Motor Speed Data

	LR	Pull-Up	BD	Rated	Idle
Speed (RPM)	0	177	675	865	900
Current (Amps)	12.1	11.8	8.3	2.80	2.00
Torque (ft-lb)	19.4	17.3	22.5	9.1	0.00

Information Block

HP	1.5			
Sync. RPM	900			
Frame	180			
Enclosure	DP			
Construction	TDW			
Voltage	230/460 V			
Frequency	60 Hz			
Design	B			
LR Code letter	H			
Service Factor	1.15			
Temp Rise @ FL	60 ° C			
Duty	CONT			
Ambient	40 ° C			
Elevation	1,000 feet			
Rotor/Shaft wk ²	0.36 Lb-FT ²			
Ref Wdg	T8810 DR			
Sound Pressure @ 1M	0 dBA			
VFD Rating	NONE			
Outline Dwg	035543-900			
Conn. Diag	005010.01ME			
Additional Specifications:				
0				
365THFS8036				
EQUIV CKT (OHMS / PHASE)				
R1	R2	X1	X2	Xm
0.0000	0.0000	0.0000	0.0000	0.0000



Speed -Torque Curve

