



# ***Kämmer Series 051000***

## ***Tank Flush Valve***



***Experience In Motion***

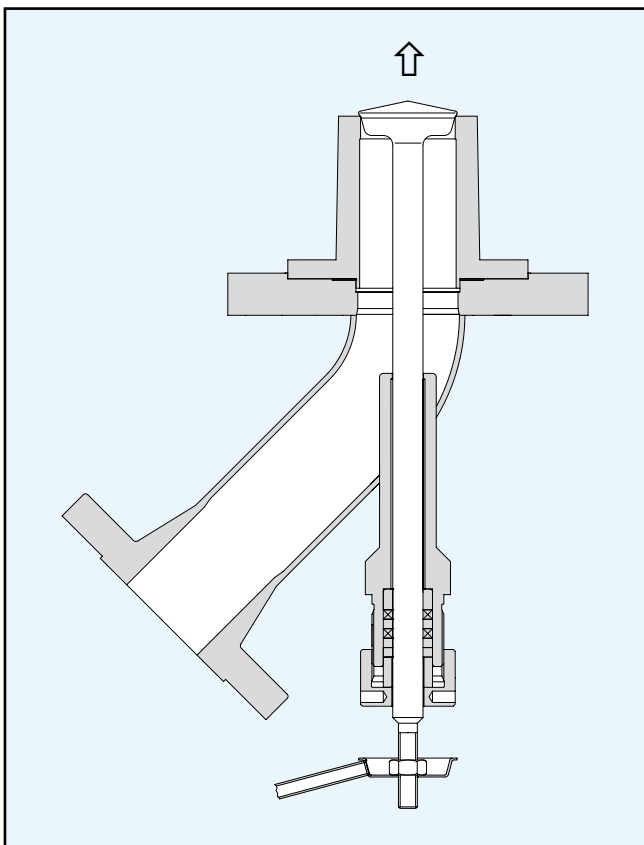
## Series 051000

### Description

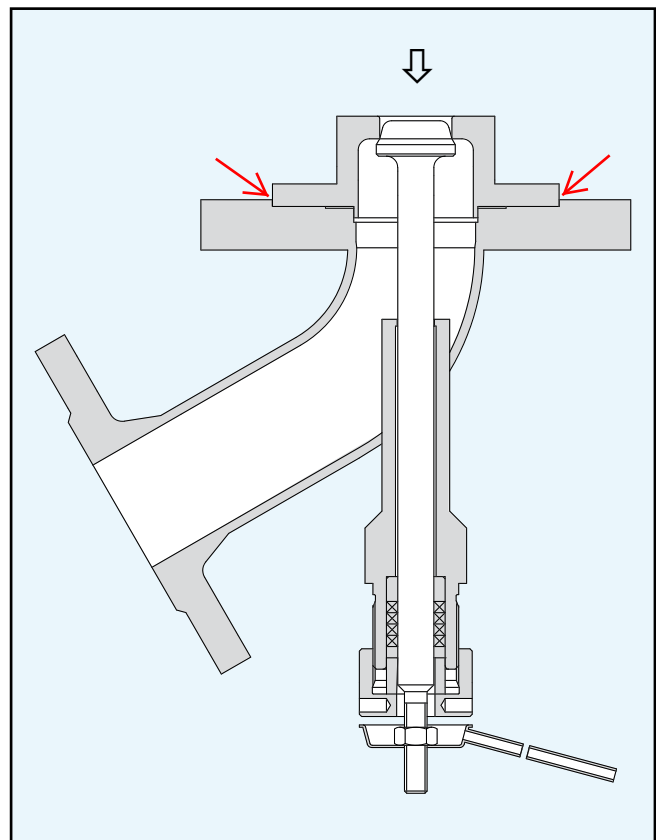
This unique valve is typically used for On-Off bottom drain tank applications, where flushing or fluid transfer is necessary. The valve mounts flush to the tank with a plug extending into the tank and with the seat ring flush with the inner wall of the tank.

The valve's compact, lightweight design is ideal for in-line maintenance under the tank. It can be specified with either a 45° or 60° outlet angle. Other options include bellows seal, normalising fins, a special pocket-free body, steam jacketing or a plug that retracts into the body (as opposed to the standard design with an extending plug).

The tank flush valve can also be supplied as a control valve.



Standard valve with extending plug



Special valve with retracting plug

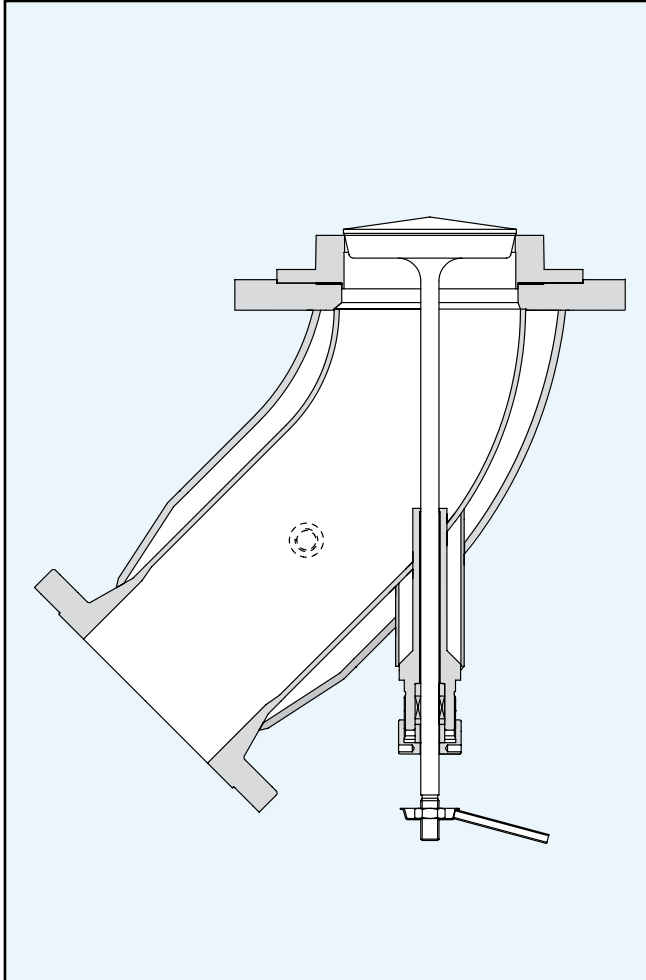
## Series 051000

### Technical Data

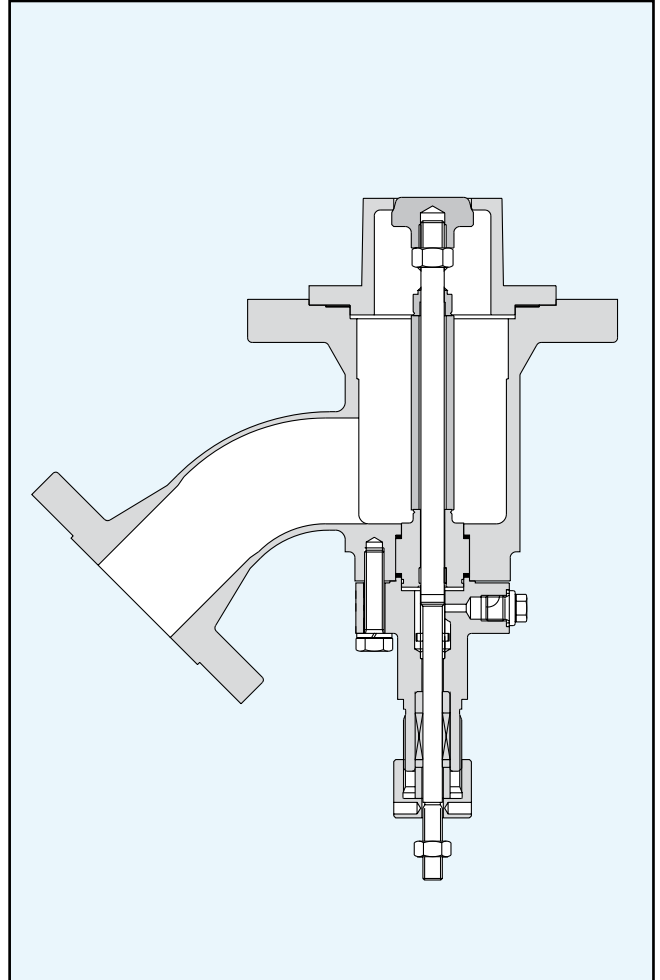
<b>Valve body style</b>	Tank flush valve
<b>Characteristics</b>	On-Off, Linear, Equal%
<b>Seat leakage</b>	$\leq 0.01\%$ of $K_{vs}$ -value, Class IV acc. to DIN IEC 534 - higher requirements on request
<b>Body material</b>	1.4571, other materials optional
<b>Material for plug/seat ring</b>	Same as body material
<b>PTFE- soft seat (T=max 150°C)</b>	Plug with PTFE insert for tighter seating
<b>Packing</b>	PTFE for temperatures up to 200 °C Grafoil for temperatures over 200 °C
<b>Body gasket</b>	PTFE for temperatures up to 200 °C, grafoil for temperatures over 200 °C
<b>Designs</b>	Valve with extending plug, valve with retracting plug, normalising fins, bellows seal
<b>Sizes</b>	The outlet size is either smaller or the same size as the inlet, see table on page 6
<b>Connections</b>	DIN-Flanges PN10 - 40 or ANSI Flanges Class 150 - 300
<b>Outlet angle</b>	45°, optional 60°
<b>Seat ring height / seat diameter</b>	30mm standard, other dimensions optional. Seat ring diameter made to customers request

**Series 051000**

Designs



Special valve with steam jacket



Special valve with bellows seal

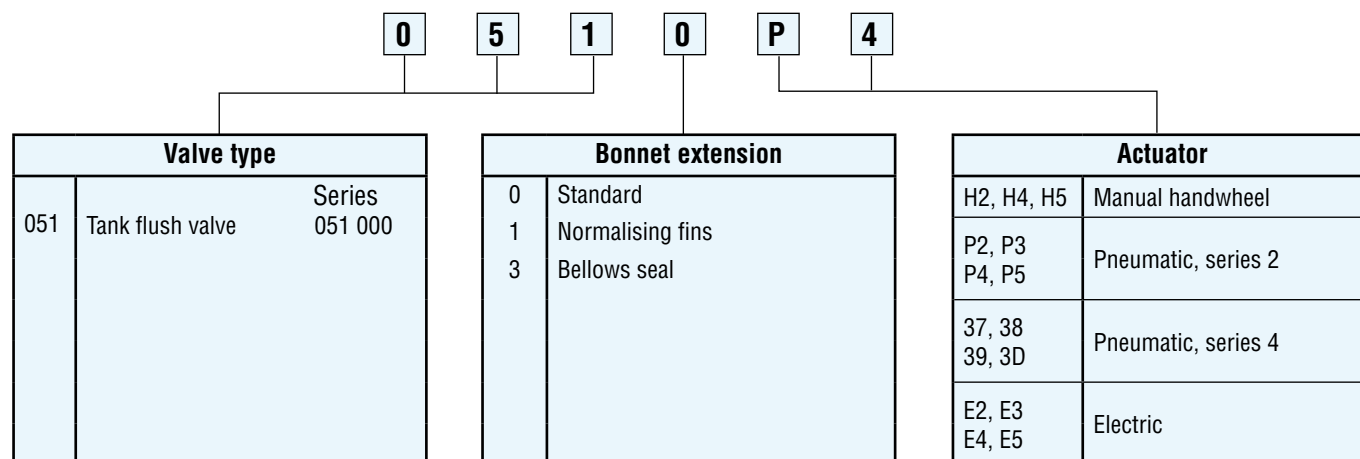
## Series 051000

### Sizes

DIN PN 10-40	ANSI Class 150/300	Standard sizes	K <sub>vs</sub> max. *	Seat dimensions mm
25 / 15 25 / 25 40 / 25 40 / 40	1" / ½" 1" / 1" 1½" / 1" 1½" / 1½"	X	4 4 16 25	16 16 25 32
50 / 40 50 / 50 65 / 50 80 / 50	2" / 1½" 2" / 2" 2½" / 2" 3" / 2"	X  X X	40 40 63 63	40 40 50 50
65 / 65 80 / 65 80 / 80 100 / 80	2½" / 2½" 3" / 2½" 3" / 3" 4" / 3"	 X  X	 63 100 100 160	 50 63 63 80
100 / 100 150 / 100 150 / 150 200 / 150	4" / 4" 6" / 4" 6" / 6" 8" / 6"	 X  X	 160 250 400 560	 80 100 125 150

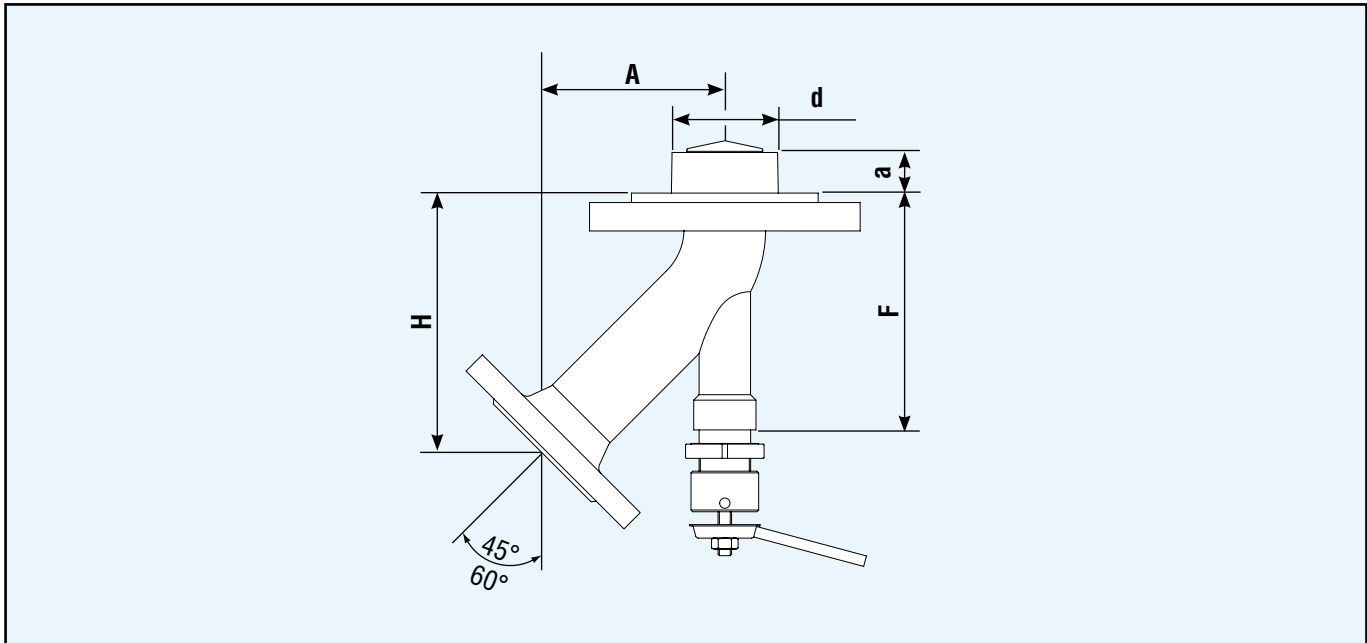
\* K<sub>vs</sub> values for standard extending plugs only. For special retracting plugs the k<sub>vs</sub> value is reduced by around 50%.

### Valve Code



## Series 051000

Dimensions (mm), Weight (kg)



Valve DN	Dimensions*				Weights*			
	A	H		F	DIN-Flange		ANSI-Flange	
		45°	60°		PN 10-16	PN 25-40	Class 150	Class 300
25/15 – 1" / ½"	85	110	95	95	5.0	5.0	4.5	6.0
50/40 – 2" / 1 ½"	125	175	130	130	7.0	7.0	6.5	8.0
65/50 – 2 ½" / 2"	130	185	145	180	9.5	9.5	9.0	11.5
80/50 – 3" / 2"	130	190	155	180	9.5	9.5	9.0	11.5
80/65 – 3" / 2 ½"	135	200	160	200	11	13	13	16
100/80 – 4" / 3"	140	210	170	215	14	17	17	23
150/100 – 6" / 4"	200	295	235	240	19	25	23	37
200/150 – 8" / 6"	250	375	305	340	32	46	41	60

\* All dimensions refer to the standard valve design. Dimensions for normalising fins and bellows seals on request.

Tolerance for dimensions A and H  $\pm$  5mm.

Dimensions „a“ and „d“ are made to order.

## **Series 051000**

### Special Designs





**Germany**

Flowserve Essen GmbH

Flowserve Flow Control

Kämmer Ventile

Manderscheidtstrasse 19

45141 Essen

Germany

Tel.: +49 (0) 201 89 19 5

Fax.: +49 (0) 201 89 19 662

FCD KMEEBR5120-00 11.06

Your contact:

A large, empty dashed-line rectangular box intended for contact information.

All data subject to change without notice

©08.2000 Flowserve Corporation. Flowserve and Kämmer are trademarks of Flowserve Corporation