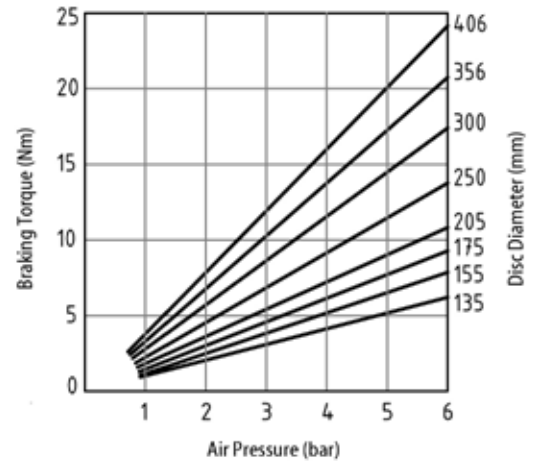
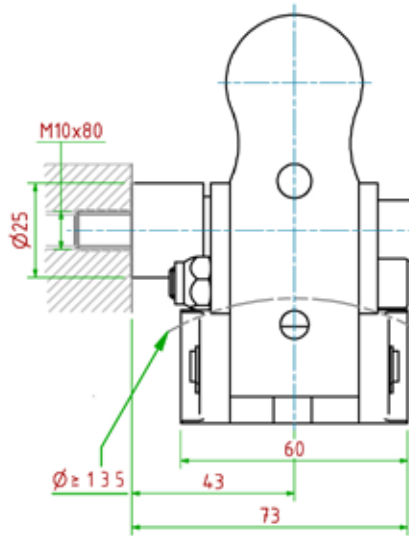
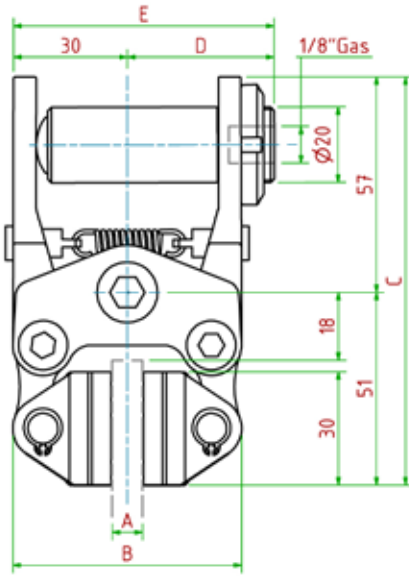


Caliper Brake

Pneumatically Applied



CB 3



Operating Pressure: $P_I = 6\text{bar}$

Max Cylinder Volume: 1cm^3

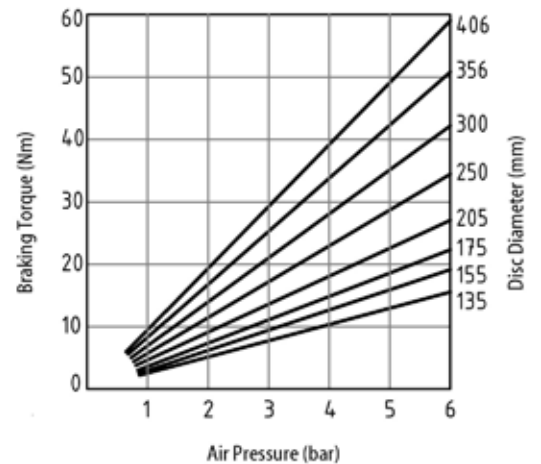
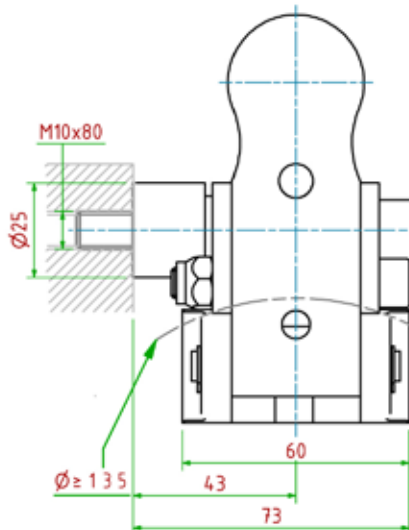
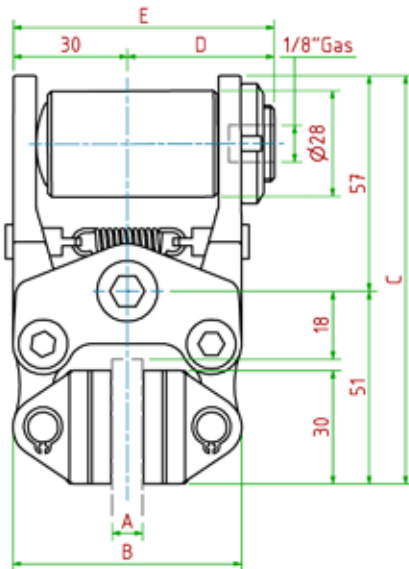
Braking Torque: $M_d = [F_t x (\Phi(m)/2 - 0.018(m))]$

Warning: Initial Braking Torque can be reduced by 30%-50%

Maximum total wear of pads = 5mm

MODEL	CODE	A	B	C	D Max	E Max	Braking Force	Weight
CB 3/08	051030201	8	61	108	39	69	$F_t = 130\text{N}$	0.6kg
CB 3/12	051030202	12.7	65	108	39	69	$F_t = 130\text{N}$	0.6kg

CB 31



Operating Pressure: $P_I = 6\text{bar}$

Max Cylinder Volume: 2cm^3

Braking Torque: $M_d = [F_t x (\Phi(m)/2 - 0.018(m))]$

Warning: Initial Braking Torque can be reduced by 30%-50%

Maximum total wear of pads = 5mm

MODEL	CODE	A	B	C	D Max	E Max	Braking Force	Weight
CB 31/08	051031201	8	61	108	39	69	$F_t = 320\text{N}$	0.7kg
CB 31/12	051031202	12.7	65	108	39	69	$F_t = 320\text{N}$	0.7kg