

PORT OF TACOMA

PIERCE COUNTY TERMINAL OPERATIONAL PAVEMENT REPAIRS 2026 PROJECT NO. 201038.02 PA 000000178

PROCUREMENT NO. 052026-1034

PORT COMMISSIONERS:

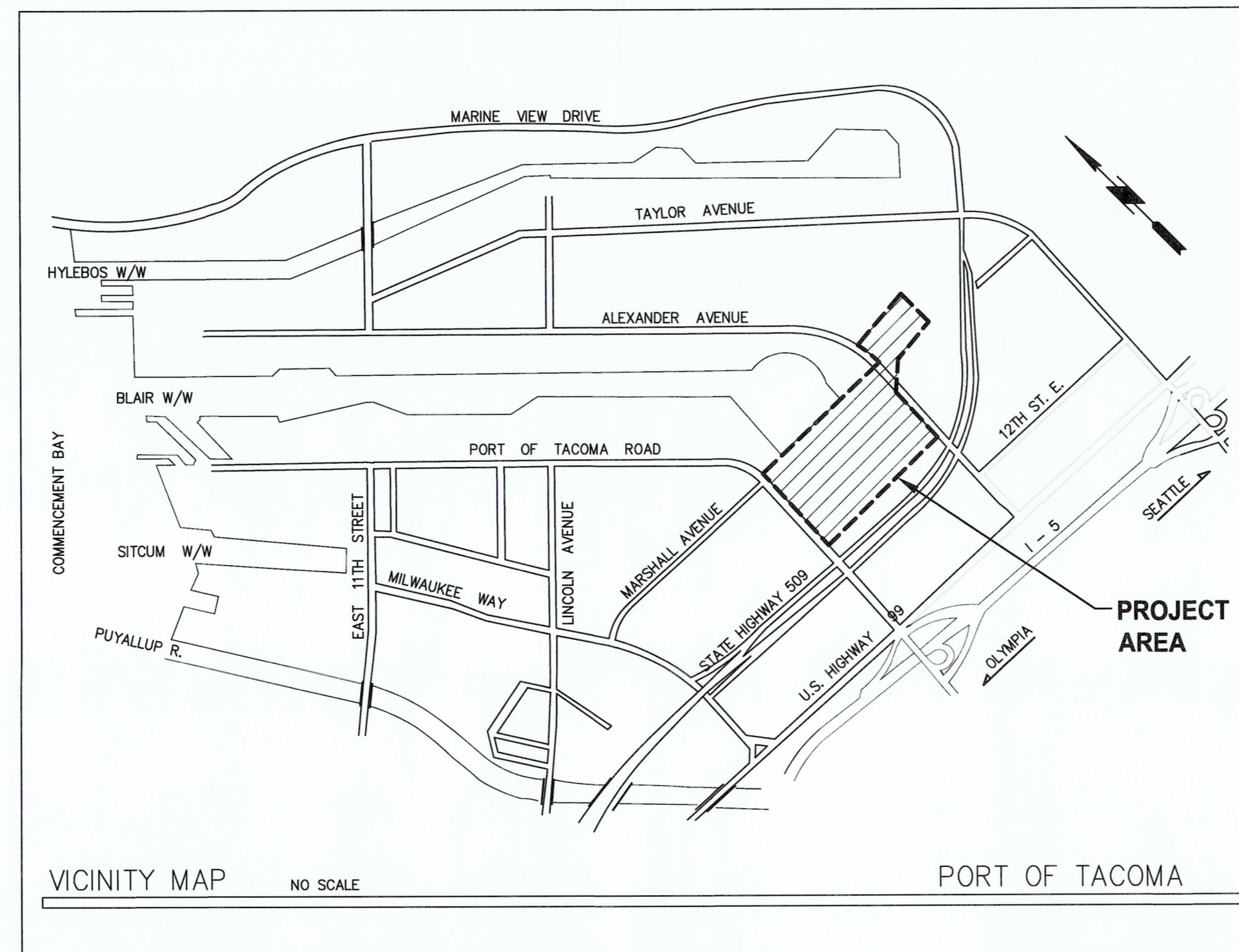
RICHARD P. MARZANO
JT WILCOX
JOHN MCCARTHY
KRISTIN ANG
DEANNA KELLER

PORT STAFF:

JOHN WOLFE
NWSA Chief Executive Officer

THAIS HOWARD, P.E.
Sr. Director of Engineering

BRETT OZOLIN, P.E.
Project Manager





CONSULTANT:



moffatt & nichol

600 UNIVERSITY STREET
SUITE 610
SEATTLE, WA 98101
(206) 622-0222

DRAWING LIST		
SHEET DESIGNATION	SHEET #	SHEET TITLE
G1.01	1	COVER PAGE & SHEET INDEX
G1.02	2	GENERAL NOTES, ABBREVIATIONS & LEGEND
G1.03	3	TESC DETAILS
C0.00	4	SITE PLAN
C1.01	5	ENLARGED UTILITIES PLAN 01
C1.02	6	ENLARGED UTILITIES PLAN 02
C1.03	7	ENLARGED UTILITIES PLAN 03
C1.04	8	ENLARGED UTILITIES PLAN 04
C1.05	9	ENLARGED UTILITIES PLAN 05
C2.01	10	SITE DETAILS 01
C2.02	11	SITE DETAILS 02
C2.03	12	SITE DETAILS 03
C2.04	13	SITE DETAILS 04
C2.05	14	SITE DETAILS 05
C2.06	15	SITE DETAILS 06
C2.07	16	PAVING SECTIONS

 moffatt & nichol 600 UNIVERSITY STREET, SUITE 610 SEATTLE, WA 98101 (206) 622-0222	APPR: DATE:
	BY:
MARK: REVISION:	DATE:
	5/6/2026
APPROVED: <i>[Signature]</i> N. COLSON 4/3/2026 CHECKED BY: A. PATTERSON 4/3/2026 DIRECTOR ENGR. DATE: T. HOWARD PROJECT ENGR. DATE:	PRINTED BY: cyang Apr 15, 2026 PORT ADDRESS: ONE SITCUM PLAZA TACOMA, WA 98401-1837
PIERCE COUNTY TERMINAL OPERATIONAL PAVEMENT REPAIRS 2026 COVER PAGE & SHEET INDEX	SECTION: AS NOTED RANGE: 3E TOWNSHIP: 20N DAT: HRZ: NAD83/2007 VERT: MLLW PARCEL:
6745 G1.01 SHEET 1 OF 16	CONT/CONS: PA000000178 M. ID: 201038.02 PHASE: BID SET

THIS DRAWING IS THE PROPERTY OF THE PORT OF TACOMA AND SHALL NOT BE USED ON OTHER WORK, DISCLOSED, COPIED, IN WHOLE OR IN PART, WITHOUT WRITTEN PERMISSION

PORT OF TACOMA FILE: P:\SEA\252233-03\20 CADD\ Active\SheetSet\25223303G1.01

GENERAL NOTES:

1. THE PLANS INDICATE TYPICAL REPAIR AND REHABILITATION OF EXISTING YARD STRUCTURES AND SHALL BE CONSIDERED TO BE REFERENCE INFORMATION FOR THE PURPOSES OF BID PREPARATION OF THE UNIT PRICE PAY ITEMS. WORK OF THIS CONTRACT WILL BE AUTHORIZED ON A TASK BY TASK BASIS AND MAY VARY FROM THE WORK REPRESENTED ON THE PLANS. THE LOCATIONS AND LIMITS OF WORK IS SUBJECT TO FIELD DETERMINATION BY THE ENGINEER AND AUTHORIZATION ON A TASK BY TASK BASIS.
2. THE CONTRACTOR SHALL PERFORM ALL WORK IN SUCH A MANNER AS TO NOT IMPACT TERMINAL OPERATIONS. THE CONTRACTOR SHALL COORDINATE WITH THE PORT AND SCHEDULE WORK TO MINIMIZE DISRUPTION, STRICT COMPLIANCE WITH THE SPECIFIED WORK HOURS AND DAYS WILL BE ENFORCED. SEE SPECIFICATIONS FOR CONSTRUCTION LIMITATIONS AND RELATED INFORMATION.
3. THE CONTRACTOR SHALL COORDINATE THE WORK OF ALL TRADES. CONTRACTOR SHALL PROVIDE TIMELY NOTIFICATION TO THE ENGINEER FOR ALL ITEMS OF WORK REQUIRING COORDINATION.
4. THE CONTRACTOR SHALL PROVIDE ALL NOTICES AND PERMITS REQUIRED FOR THIS WORK.
5. IF CLASSIFIED HAZARDOUS MATERIAL IS ENCOUNTERED DURING CONSTRUCTION, CONTRACTOR IS DIRECTED TO STOP WORK IN THE EFFECTED AREA IMMEDIATELY AND NOTIFY THE ENGINEER.
6. CONTRACTOR SHALL OBTAIN APPROVAL OF THE ENGINEER PRIOR TO DISCONNECTING OR INTERRUPTING THE OPERATION OF ANY EXISTING UTILITY OR SYSTEM. CONTRACTOR SHALL REQUEST PERMISSION FROM THE ENGINEER A MINIMUM OF TWO (2) DAYS PRIOR TO DISRUPTING SAID UTILITY.
7. MODIFICATIONS TO EXISTING STRUCTURES SHALL MAINTAIN A LOAD CAPACITY OF 125 KIPS (REFER TO REFERENCE DOCUMENT PCT REDEVELOPMENT CONSTRUCTION SHEET S1.1 PROVIDED BY THE PORT).

ABBREVIATIONS

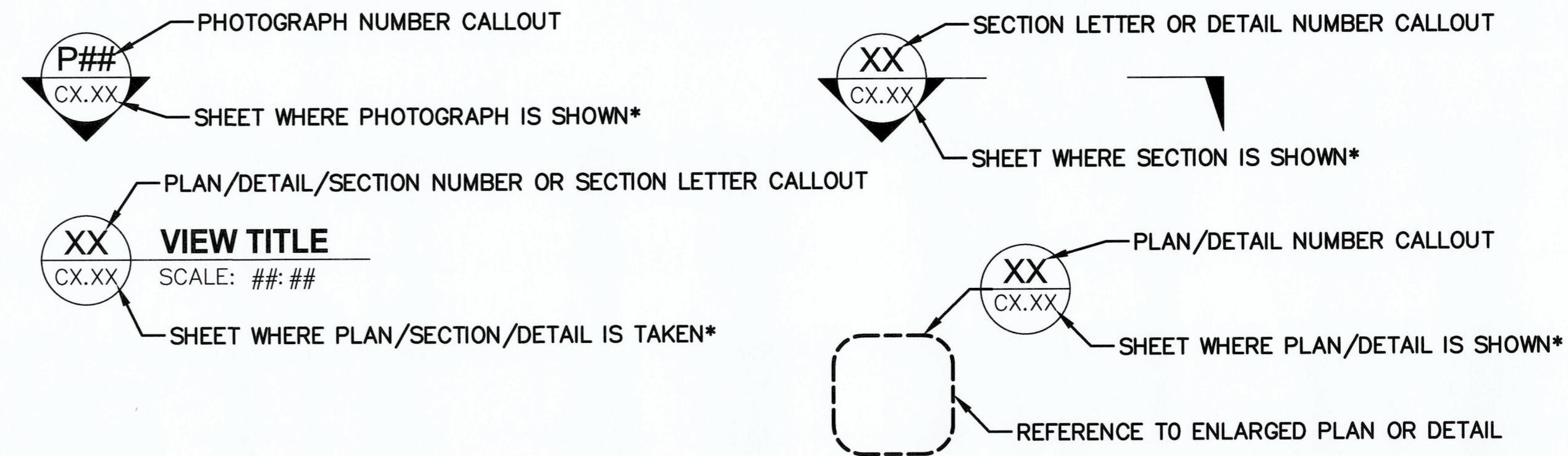
'	FEET
"	INCHES
AT	AT
ACP	ASPHALT CONCRETE PAVEMENT
APPROX	APPROXIMATE
BLDG	BUILDING
CB	CATCH BASIN
CL	CLASS
COMM	COMMUNICATIONS
CONC	CONCRETE
CPV	CRANE POWER VAULT
CSBC	CRUSHED SURFACING BASE COURSE
CSTC	CRUSHED SURFACING TOP COURSE
CTR	CENTER
CV	COMMUNICATIONS VAULT
CY	CUBIC YARD
DIA, Ø	DIAMETER
DIM	DIMENSION
ELEC	ELECTRICAL
ELEV	ELEVATION
EOP	EDGE OF PAVEMENT
EQUIP	EQUIPMENT
ESC	EROSION AND SEDIMENTATION CONTROL
EW	EACH WAY
EX	EXISTING
FOV	CRANE FIBER OPTIC COMMUNICATIONS VAULT
FT	FEET
FV	FIELD VERIFY
FW	FIRE WATER
HMA	HOT MIX ASPHALT
HORIZ	HORIZONTAL
IE	INVERT ELEVATION
KIPS	THOUSANDS OF POUNDS
LF	LINEAR FEET
MAINT	MAINTENANCE
MAX	MAXIMUM
MFR's	MANUFACTURERS
MH	MANHOLE
MIN	MINIMUM
MLLW	MEAN LOWER LOW WATER
N	NORTH OR NORTHING
NA	NOT APPLICABLE
NGAS	NATURAL GAS
NTS	NOT TO SCALE
OC	ON CENTER
OD	OUTSIDE DIAMETER
OVS	OIL / WATER SEPARATOR
PCT	PIERCE COUNTY TERMINAL
PG	PERFORMANCE GRADE
POT	PORT OF TACOMA
PV	POWER VAULT
PVC	POLYVINYL CHLORIDE
PVMT	PAVEMENT

REINF REQ'D	REINFORCED REQUIRED
ROW	RIGHT OF WAY (CITY OF TACOMA)
RR	RAIL ROAD
SD	STORM DRAINAGE
SIM	SIMILAR
SS	SANITARY SEWER
STD	STANDARD
SV	SITE COMMUNICATIONS VAULT
TESC	TEMPORARY EROSION AND SEDIMENTATION CONTROL
TEL TYP	TELEPHONE TYPICAL
UON	UNLESS OTHERWISE NOTED
VERT VAULT	VERTICAL VAULT
VLV	VALVE

LEGEND

EXISTING	DESCRIPTION
	FENCE
	RAILROAD TRACKS
	ROW/PROPERTY LINE.
	TRAFFIC FLOW DIRECTIONAL ARROW (REFERENCE ONLY)
	POLE
	TYPE 1L CB
	TYPE 2 CB
	POWER / COMMUNICATION VAULT
	ACP
	GRAVEL BASE
	SUBGRADE
NEW	
	ACP
	CAST-IN-PLACE CONC
	FLOWABLE FILL BASE COURSE

REFERENCE CALLOUTS



*NOTE: DASH (-) INDICATES SECTION OR DETAIL FROM SAME SHEET

ONE-CALL at 1-800-424-5555

UNDERGROUND UTILITIES ARE SHOWN IN THE APPROXIMATE LOCATION. THERE IS NO GUARANTEE THAT ALL UTILITY LINES ARE SHOWN, OR THAT THE LOCATION, SIZE, AND MATERIAL IS ACCURATE. THE CONTRACTOR SHALL UNCOVER ALL INDICATED PIPING WHERE CROSSING, INTERFERENCES, OR CONNECTIONS OCCUR PRIOR TO TRENCHING OR EXCAVATION FOR ANY PIPE OR STRUCTURE. TO DETERMINE ACTUAL LOCATIONS, SIZE, AND MATERIAL THE CONTRACTOR SHALL MAKE THE APPROPRIATE PROVISION FOR PROTECTION OF SAID FACILITIES. THE CONTRACTOR SHALL NOTIFY ONE CALL AT 1-800-424-5555 AND ARRANGE FOR FIELD LOCATION OF EXISTING FACILITIES BEFORE CONSTRUCTION.

Port of Tacoma
P.O. BOX 1817 TACOMA, WA 98401 (253)838-8841

moffatt & nichol
600 UNIVERSITY STREET, SUITE 610
SEATTLE, WA 98101
(206) 622-0222

DATE: _____

APPR: _____

BY: _____

REVISION: _____

MARK: _____

5/6/2026

N. COLSON	4/3/2026
CHECKED BY	DATE
A. PATTERSON	4/3/2026
PROJ. ENGR	DATE
ayang	Apr 15, 2026
PRINTED BY:	
PORT ADDRESS: ONE SITCUM PLAZA	
TACOMA, WA 98401-1837	

PIERCE COUNTY TERMINAL	
OPERATIONAL PAVEMENT REPAIRS 2026	
GENERAL NOTES, ABBREVIATIONS & LEGEND	
TOWNSHIP: 20N	RANGE: 3E
DAT-HRZ: NAD83/2007	VERT: MLLW
PARCEL:	DRAWING SCALE: AS NOTED

6745

G1.02

SHEET 2 OF 16

CONTR/CONS: PA000000178

M. ID: 201038.02

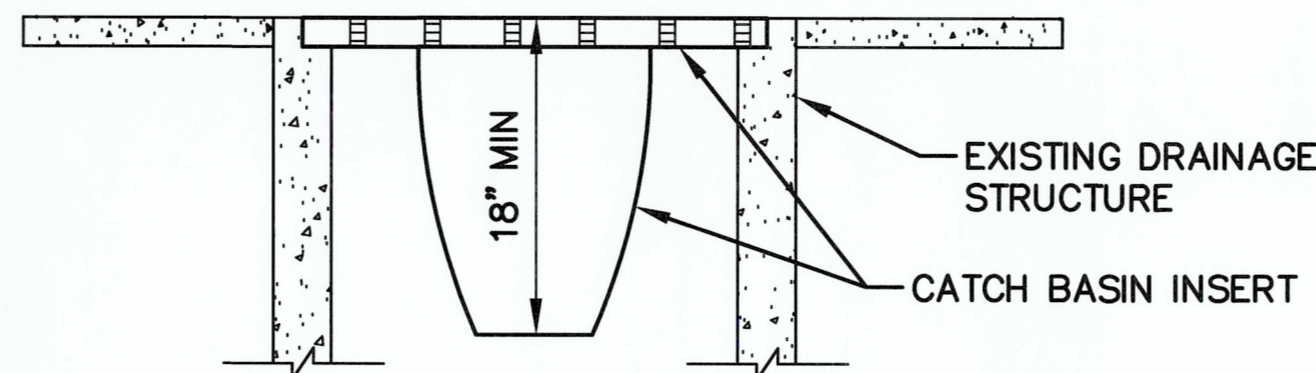
PHASE: BID SET

SECTION: _____

AS NOTED

TEMPORARY EROSION & SEDIMENT CONTROL (TESC) NOTES:

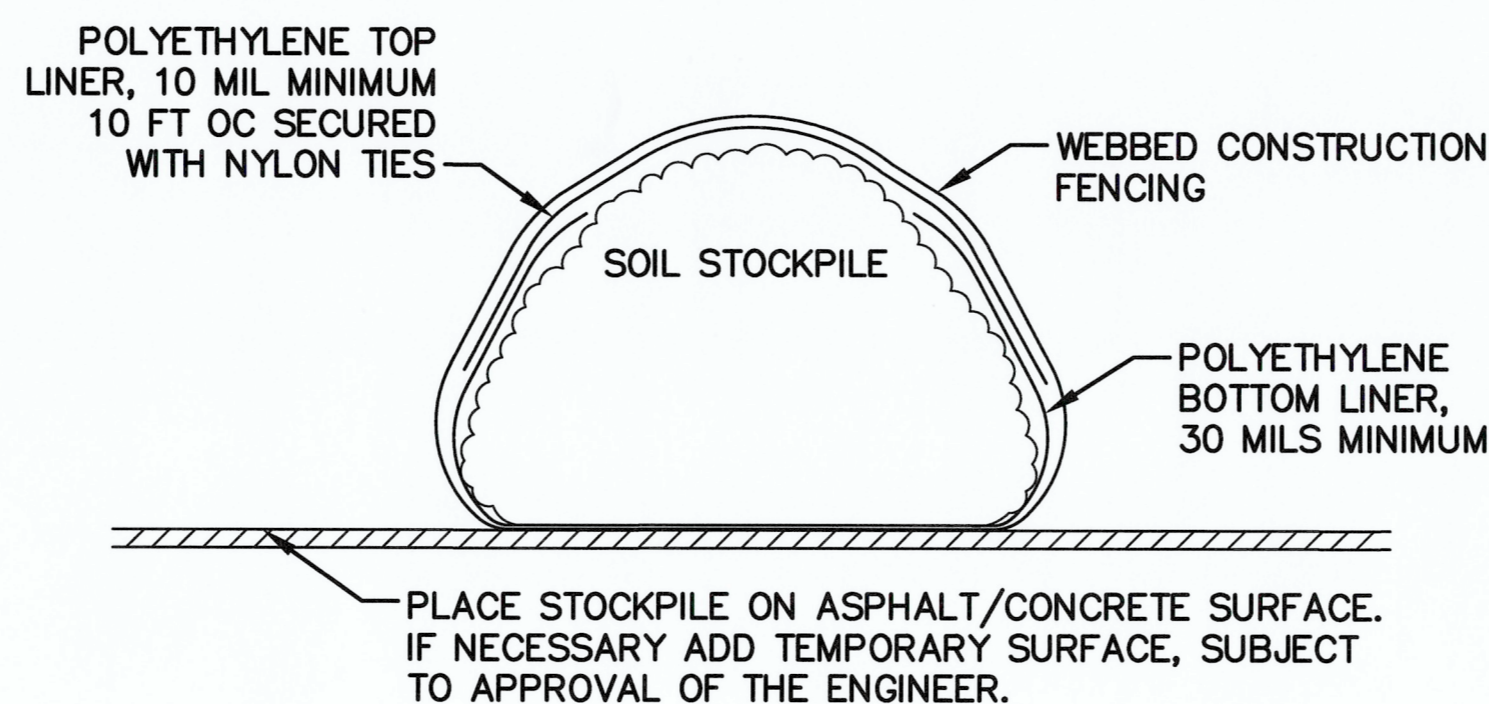
- A. EROSION AND SEDIMENTATION CONTROL MEASURES SHALL MEET THE REQUIREMENTS OF SPECIFICATIONS SECTION 01 57 13.
- B. EROSION AND SEDIMENTATION CONTROL MEASURES SHALL BE PROVIDED TO PREVENT ERODED SEDIMENT AND TURBID WATER FROM ENTERING THE STORM DRAINAGE SYSTEM AND/OR ADJACENT PROPERTIES DURING AND FOLLOWING CONSTRUCTION UNTIL ENTIRE SITE HAS BEEN STABILIZED.
- C. CERTAIN BEST MANAGEMENT PRACTICES (BMPs) THAT MAY BE APPLICABLE TO THE CONTRACTOR'S IMPLEMENTATION OF THE WORK ARE PRESENTED IN THE WASHINGTON STATE DEPARTMENT OF ECOLOGY 2012 STORMWATER MANAGEMENT MANUAL FOR WESTERN WASHINGTON, AS AMENDED IN DECEMBER 2014, INCLUDING VOLUME 2 "STORMWATER MANAGEMENT" AND INCLUDE:
 - BMP C103: HIGH VISIBILITY FENCE
 - BMP C105: STABILIZED CONSTRUCTION ENTRANCE/EXIT
 - BMP C107: CONSTRUCTION ROAD/PARKING AREA STABILIZATION
 - BMP C152: SAWCUTTING AND SURFACING POLLUTION PREVENTION
 - BMP C153: MATERIAL DELIVERY, STORAGE, AND CONTAINMENT
 - BMP C154: CONCRETE WASHOUT AREA
 - BMP C160: CERTIFIED EROSION AND SEDIMENT CONTROL LEAD
 - BMP C220: STORM DRAIN INLET PROTECTION
- D. IF SEDIMENT IS TRANSPORTED ONTO A PAVED SURFACE, THE SURFACE(S) SHALL BE CLEANED IMMEDIATELY USING A METHOD ACCEPTABLE TO THE ENGINEER. IF A SWEEPER IS USED, IT SHALL BE A REGENERATIVE AIR SWEEPER.
- E. THE CONTRACTOR SHALL MAINTAIN, REPLACE, AND UPGRADE TESC FACILITIES UNTIL ALL CONSTRUCTION IS COMPLETED AND ACCEPTED. IF EROSION CONTROL FACILITIES FAIL, THEY SHALL BE REPAIRED OR REPLACED IMMEDIATELY.
- F. TESC FACILITIES SHALL BE PROVIDED IN CONJUNCTION WITH CLEARING AND GRADING AND/OR DEMOLITION ACTIVITIES, AND IN SUCH A MANNER AS TO ENSURE THAT ERODED SEDIMENT OR TURBID WATER DOES NOT ENTER THE DRAINAGE SYSTEM, ROADWAYS, OR VIOLATE APPLICABLE WATER STANDARDS.
- G. AS CONSTRUCTION PROGRESSES AND UNEXPECTED CONDITIONS AND/OR SEASONAL CONDITIONS DICTATE, THE CONTRACTOR SHALL PROVIDE ADDITIONAL EROSION AND SEDIMENTATION CONTROL FACILITIES TO ENSURE COMPLETE SILTATION CONTROL ON THE PROJECT SITE.
- H. ADDRESS ANY NEW CONDITIONS AND PROVIDE ADDITIONAL FACILITIES AS MAY BE NEEDED TO PROTECT ADJACENT PROPERTIES AND WATER QUALITY OF THE RECEIVING DRAINAGE SYSTEM AND AS REQUIRED BY THE ENGINEER.
- I. CATCH BASIN CLEANING SHALL NOT FLUSH SEDIMENT LADEN WATER INTO THE DOWNSTREAM PIPE OR SYSTEM.
- J. THE CONTRACTOR SHALL PROTECT STOCK PILE AREAS FROM RELEASE OF ERODED SEDIMENT OR SEDIMENT-LADEN WATER. STOCK PILES SHALL BE LINED AND COVERED AT ALL TIMES WHILE NOT IN USE TO KEEP THE STORED MATERIAL DRY.
- K. ALL DISTURBED AREAS SHALL BE STABILIZED BY ACCEPTABLE METHODS FOR THE PREVENTION OF ON-SITE EROSION AFTER COMPLETION OF CONSTRUCTION.
- L. REMOVE TEMPORARY EROSION AND SEDIMENT CONTROL FACILITIES FROM EACH WORK AREA AFTER IT HAS BEEN COMPLETELY STABILIZED.



NOTES:

- A. THE CATCH BASIN INSERT DETAIL IS SCHEMATIC.
- B. CATCH BASIN INSERTS SHALL HAVE A MINIMUM STORAGE CAPACITY OF 0.5 CUBIC FEET AND A MEANS TO DEWATER THE STORED SEDIMENT. INSERTS SHALL HAVE AN OVERFLOW AND SHALL BE EASY TO MAINTAIN.
- C. FILTERS SHALL BE INSPECTED AFTER EACH STORM EVENT. AT NO TIME SHALL MORE THAN ONE FOOT OF SEDIMENT BE ALLOWED TO ACCUMULATE WITHIN A CATCH BASIN INSERT.
- D. INSERTS SHALL BE INSTALLED IN ALL OPERATIONAL CATCH BASINS WITHIN 100 FEET OF WORK LIMITS PRIOR TO CLEARING AND GRADING ACTIVITY.

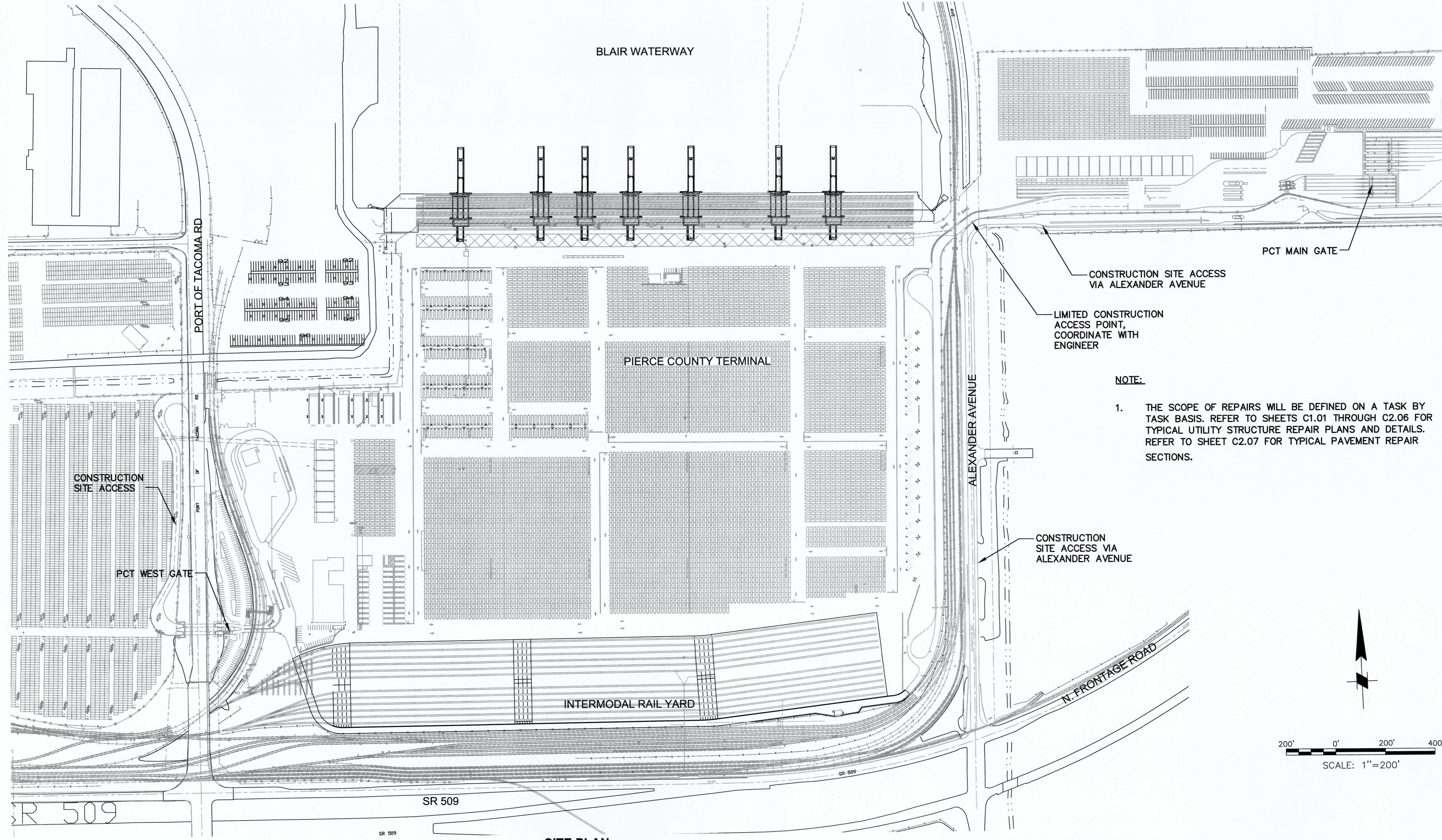
1 CATCH BASIN INSERT
SCALE: NTS



2 SOIL MANAGEMENT AREA STOCKPILE WRAP
SCALE: NTS

<p>6745 G1.03 SHEET 3 OF 16</p>	<p>PIERCE COUNTY TERMINAL OPERATIONAL PAVEMENT REPAIRS 2026 TESC DETAILS</p>			<p>APPROVED: <i>T. Howard</i> T. HOWARD DIRECTOR ENGR. DATE: 04/15/2026 PROJECT ENGR. DATE: 04/15/2026</p>
<p>CONT./CONS: PA00000178 M. ID: 201038.02 PHASE: BID SET</p>	<p>TOWNSHIP: 20N RANGE: 3E SECTION: 3E DATE-HRZ: INAD83/2007 VERT: MLLW DRAWING SCALE: AS NOTED</p>	<p>DATE: 4/5/2026 BY: [] REVISION: [] MARK: []</p>	<p>DATE: 4/5/2026 BY: [] REVISION: [] MARK: []</p>	<p>DATE: 4/5/2026 BY: [] REVISION: [] MARK: []</p>

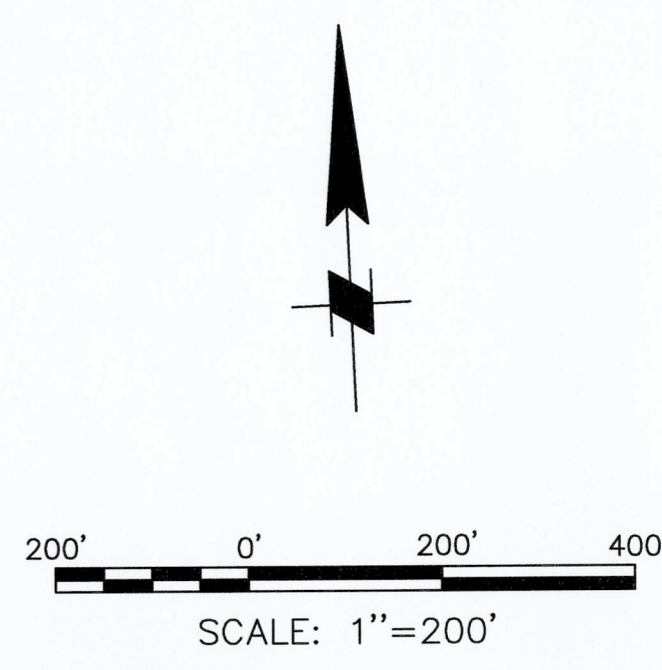
THIS DRAWING IS THE PROPERTY OF THE PORT OF TACOMA AND SHALL NOT BE USED ON OTHER WORK. DISCLOSED, COPIED, IN WHOLE OR IN PART, WITHOUT WRITTEN PERMISSION



SITE PLAN
SCALE: 1"=200'

NOTE:

1. THE SCOPE OF REPAIRS WILL BE DEFINED ON A TASK BY TASK BASIS. REFER TO SHEETS C1.01 THROUGH C2.06 FOR TYPICAL UTILITY STRUCTURE REPAIR PLANS AND DETAILS. REFER TO SHEET C2.07 FOR TYPICAL PAVEMENT REPAIR SECTIONS.



6745
C0.00
SHEET 4 OF 16

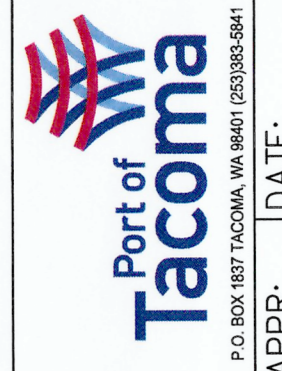
PIERCE COUNTY TERMINAL
OPERATIONAL PAVEMENT REPAIRS 2026
SITE PLAN

APPROVED: *[Signature]* N. COLSON 4/3/2026
 T. HOWARD 4/3/2026
 DIRECTOR ENG. DATE PROJ. ENGR DATE
 PRINTED BY:ayang Apr 15, 2026
 PORT ADDRESS:ONE SITCUM PLAZA
 TACOMA, WA 98401-1837

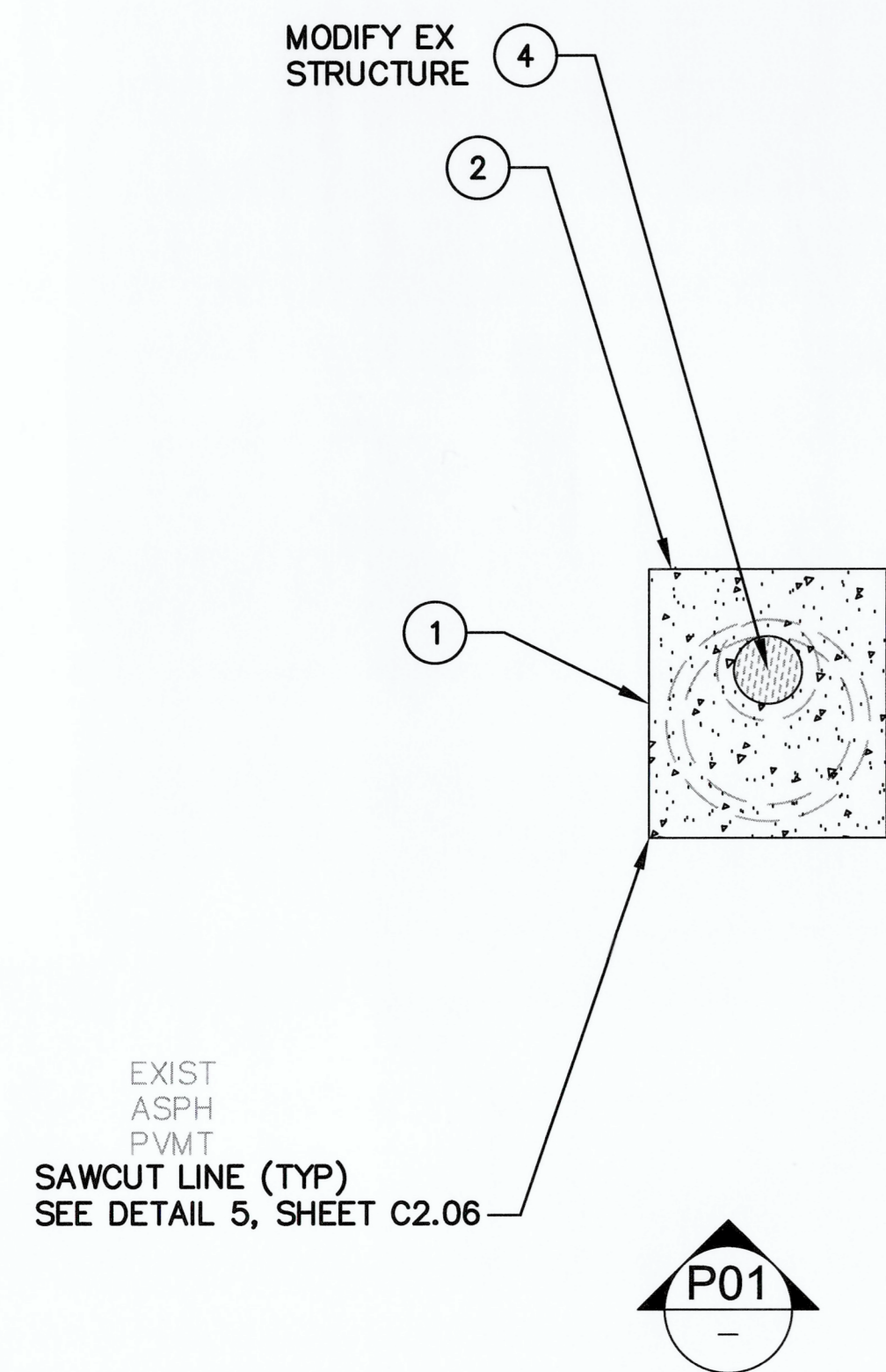
REVISION: BY: DATE:
 APPR: DATE:



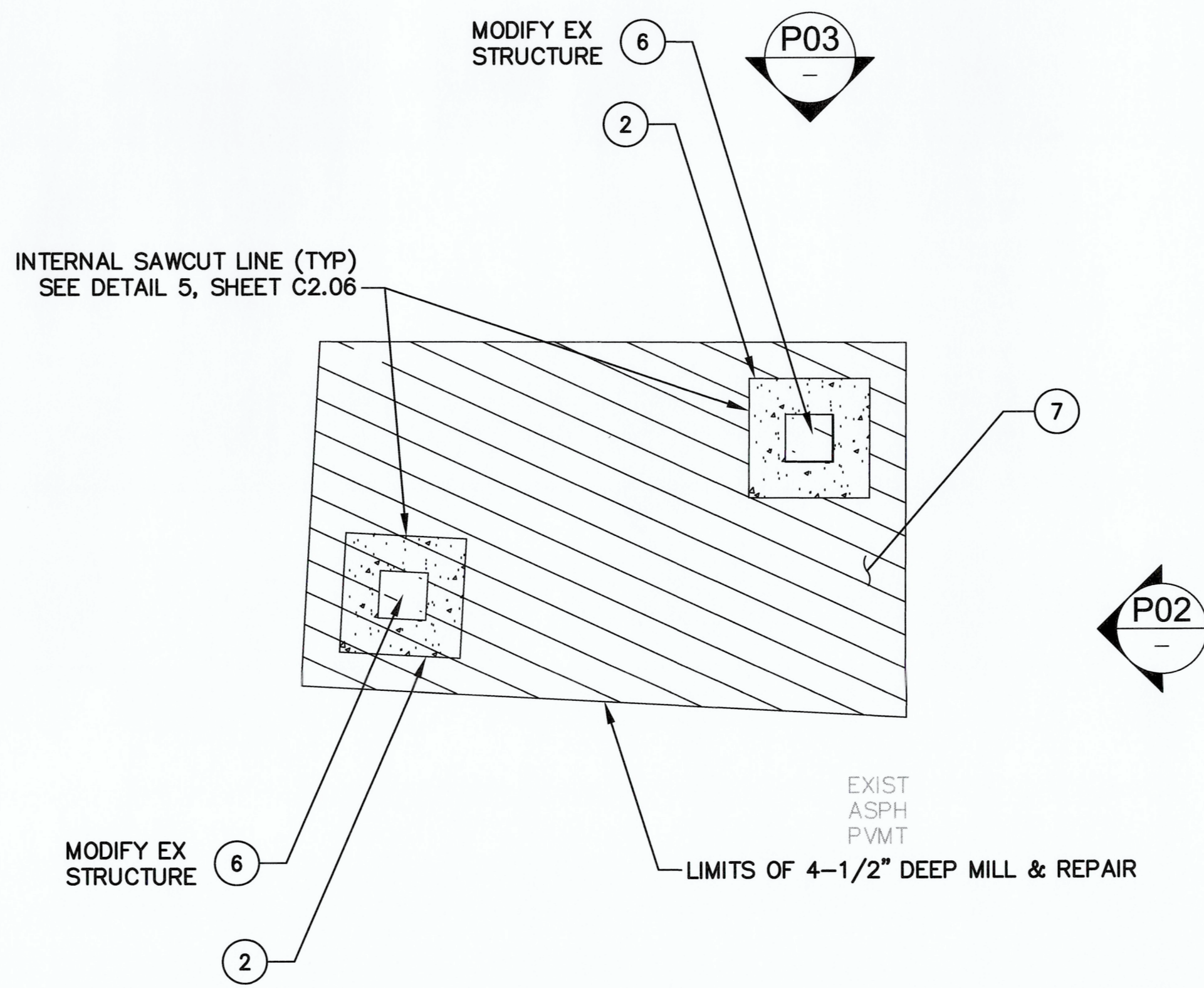
moffatt & nichol
 600 UNIVERSITY STREET, SUITE 610
 SEATTLE, WA 98101
 (206) 622-0222



THIS DRAWING IS THE PROPERTY OF THE PORT OF TACOMA AND SHALL NOT BE USED ON OTHER WORK, DISCLOSED, COPIED, IN WHOLE OR IN PART, WITHOUT WRITTEN PERMISSION



1 TYPICAL OWS (TYPE 2 CB)
SCALE: 1" = 5'



2 TYPICAL DOUBLE VALVE BOX SLAB (WATER VALVE BOXES)
SCALE: 1" = 5'

STD CONSTRUCTION NOTES:

- 1 LIMITS OF ACP REMOVAL.
- 2 LIMITS OF REINF CONC SLAB.
- 3 ADJUST TYPE 1L CB AND RESTORE SURFACING, SEE DETAIL 1, SHEET C2.01.
- 4 ADJUST TYPE 2 CB AND RESTORE SURFACING, SEE DETAIL 2, SHEET C2.02.
- 5 ADJUST VAULT AND RESTORE SURFACING, SEE DETAIL 3, SHEET C2.03.
- 6 ADJUST WATER VALVE BOX AND RESTORE SURFACING, SEE DETAIL 4, SHEET C2.04.
- 7 RESTORE ACP.

NOTES:

- 1. EXISTING STRUCTURES ARE SHOWN AT ESTIMATED LOCATIONS, SIZE AND CONFIGURATION. CONTRACTOR SHALL FIELD VERIFY SITE CONDITIONS.
- 2. NOT EVERY STD CONSTRUCTION NOTE IS USED ON EVERY SHEET.
- 3. PROTECT WORK AREAS PER DETAIL 7, SHEET C2.06.



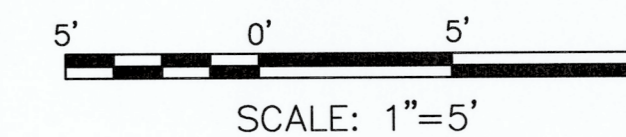
P01 TYPICAL OWS



P02 TYPICAL VALVE BOX

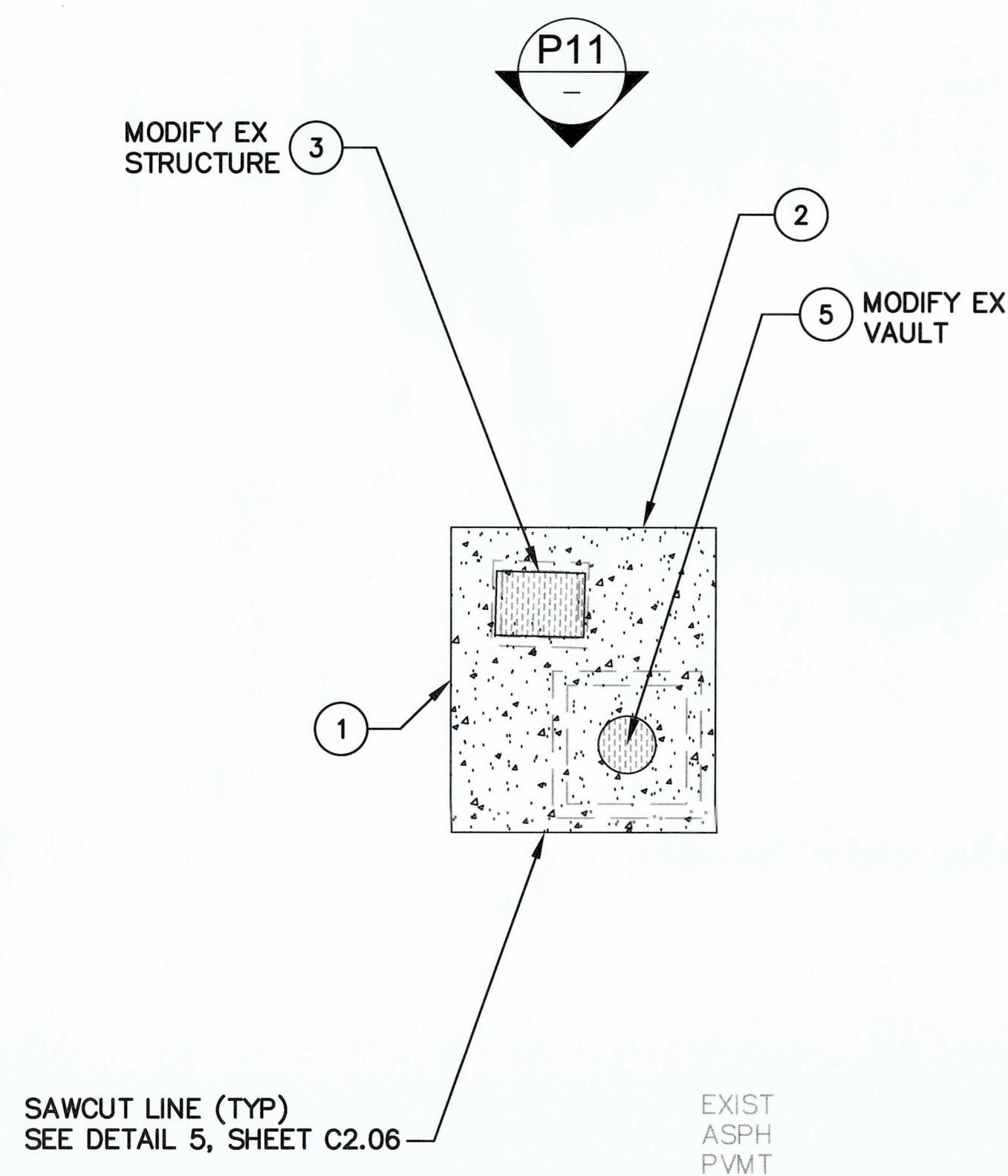


P03 TYPICAL VALVE BOX

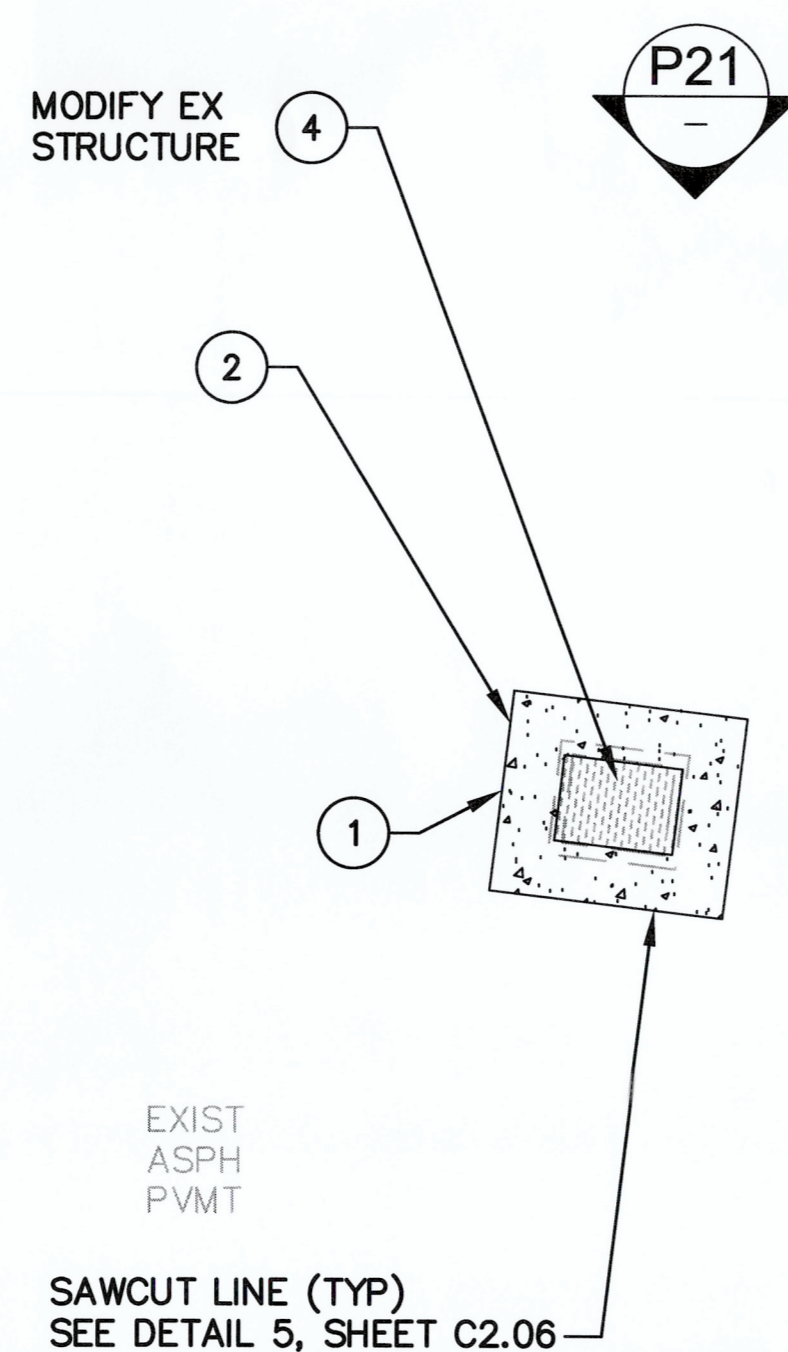


 800 UNIVERSITY STREET, SUITE 810 SEATTLE, WA 98101 (206) 622-0222	 T. HOWARD DIRECTOR ENGR. DATE: 04/15/2026	N. COLSON CHECKED BY: DATE: 4/3/2026 A. PATTERSON PROJ. ENGR. DATE: 4/3/2026	DATE: _____ APPR: _____ BY: _____ REVISION: _____
	APPROVED: <i>T. Howard</i> T. HOWARD DIRECTOR ENGR. DATE: 04/15/2026 PORT ADDRESS: ONE SITCUM PLAZA TACOMA, WA 98401-1837		
6745 C1.01 SHEET 5 OF 16	PIERCE COUNTY TERMINAL OPERATIONAL PAVEMENT REPAIRS 2026 ENLARGED UTILITIES PLAN 01		
CONT/CONS: PA00000178 M. ID: 201038.02 PHASE: BID SET	TOWNSHIP: 20N RANGE: 3E SECTION: _____ DAT-HRZ: NAD83/2007 VERT: MLLW PARCEL: _____	DRAWING SCALE: AS NOTED	

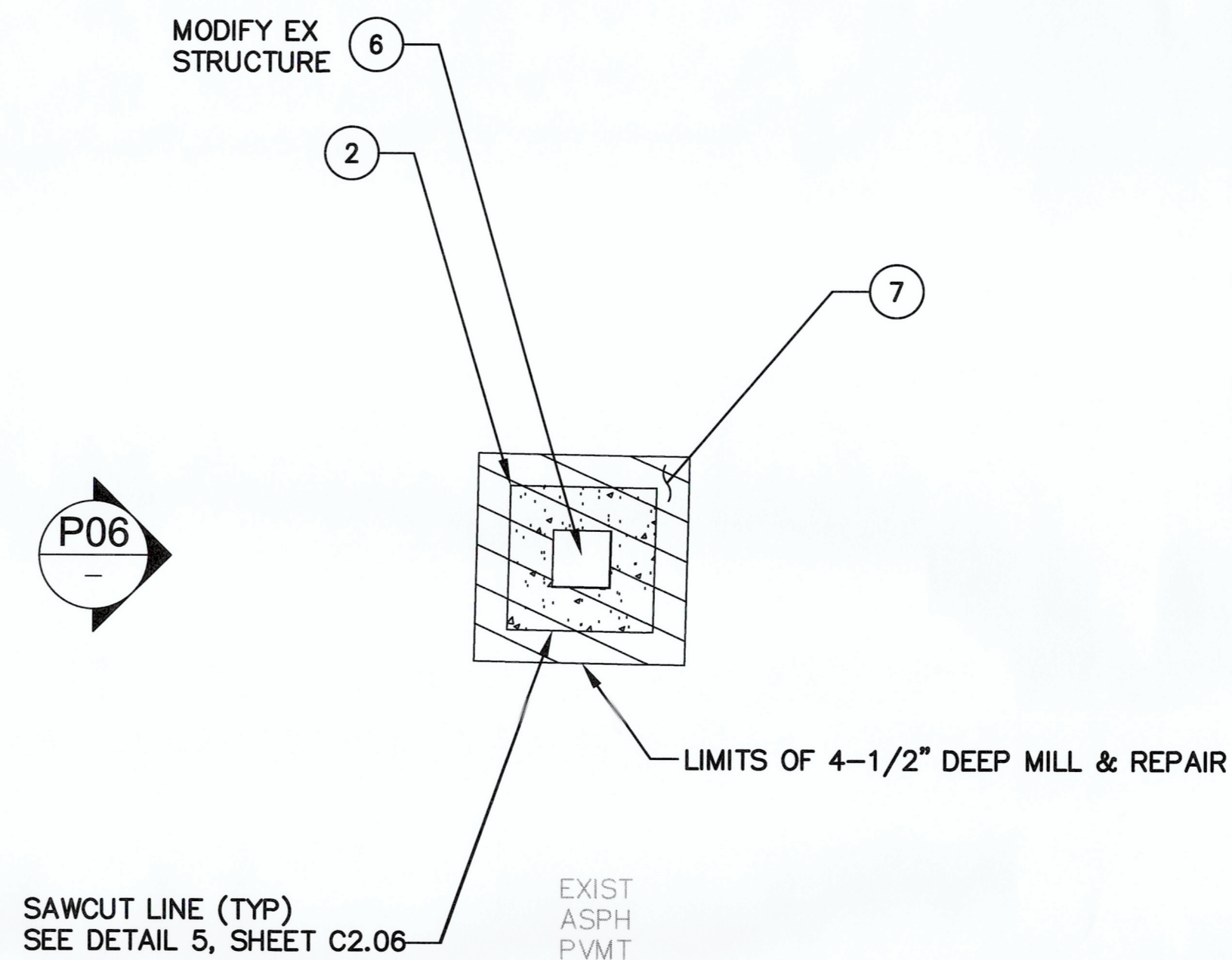
THIS DRAWING IS THE PROPERTY OF THE PORT OF TACOMA AND SHALL NOT BE USED ON OTHER WORK, DISCLOSED, COPIED, IN WHOLE OR IN PART, WITHOUT WRITTEN PERMISSION



11 TYPICAL CB (TYPE 1L CB) & CPV (POWER VAULT)
SCALE: 1" = 5'



21 TYPICAL CB (TYPE 2 CB)
SCALE: 1" = 5'



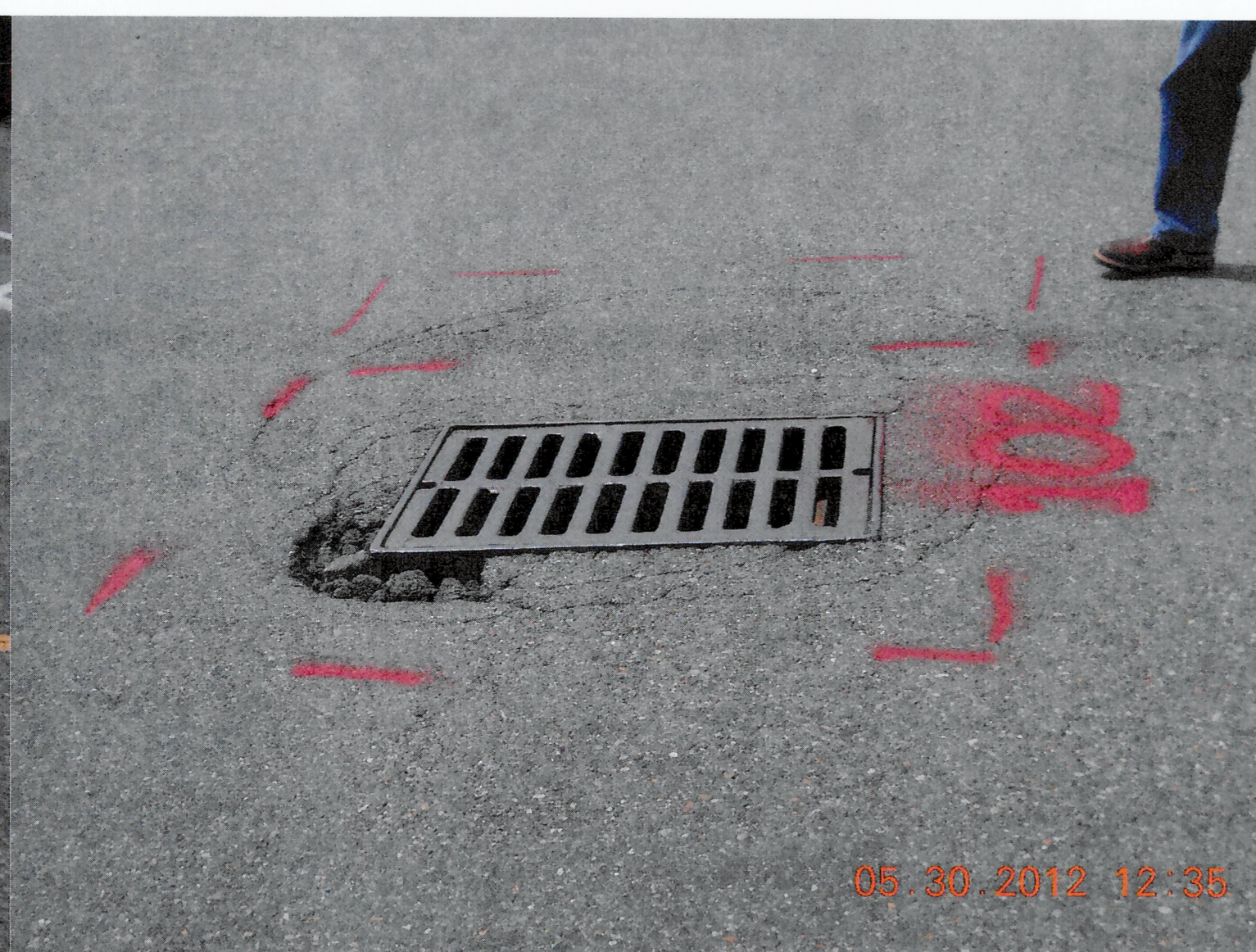
6 TYPICAL SINGLE VALVE BOX (WATER VALVE BOX)
SCALE: 1" = 5'

STD CONSTRUCTION NOTES:

- 1 LIMITS OF ACP REMOVAL.
- 2 LIMITS OF REINF CONC SLAB.
- 3 ADJUST TYPE 1L CB AND RESTORE SURFACING, SEE DETAIL 1, SHEET C2.01.
- 4 ADJUST TYPE 2 CB AND RESTORE SURFACING, SEE DETAIL 2, SHEET C2.02.
- 5 ADJUST VAULT AND RESTORE SURFACING, SEE DETAIL 3, SHEET C2.03.
- 6 ADJUST WATER VALVE BOX AND RESTORE SURFACING, SEE DETAIL 4, SHEET C2.04.
- 7 RESTORE ACP.



P11 TYPICAL SD & CPV



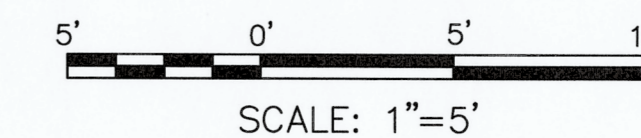
P21 TYPICAL CB



P06 TYPICAL VALVE BOX

NOTES:

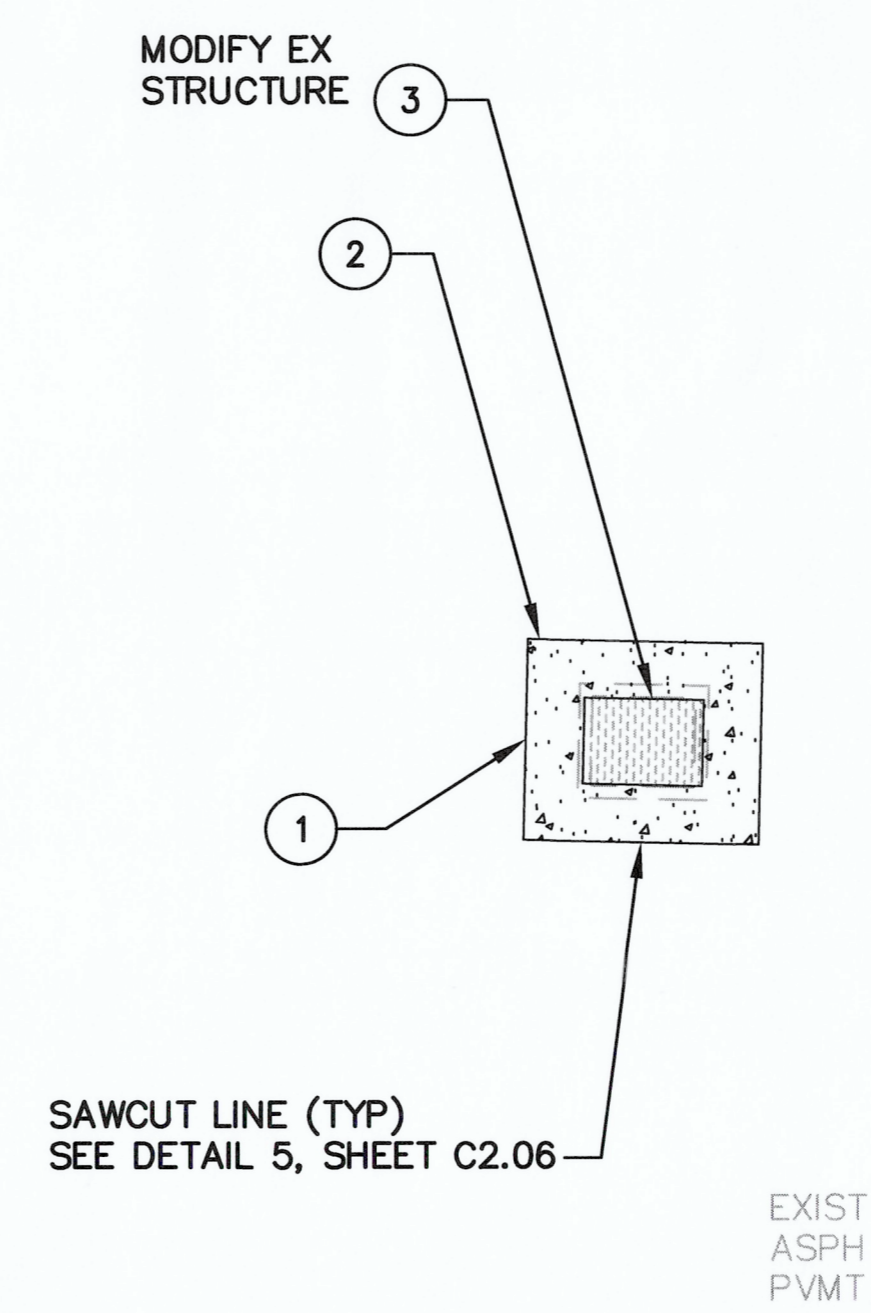
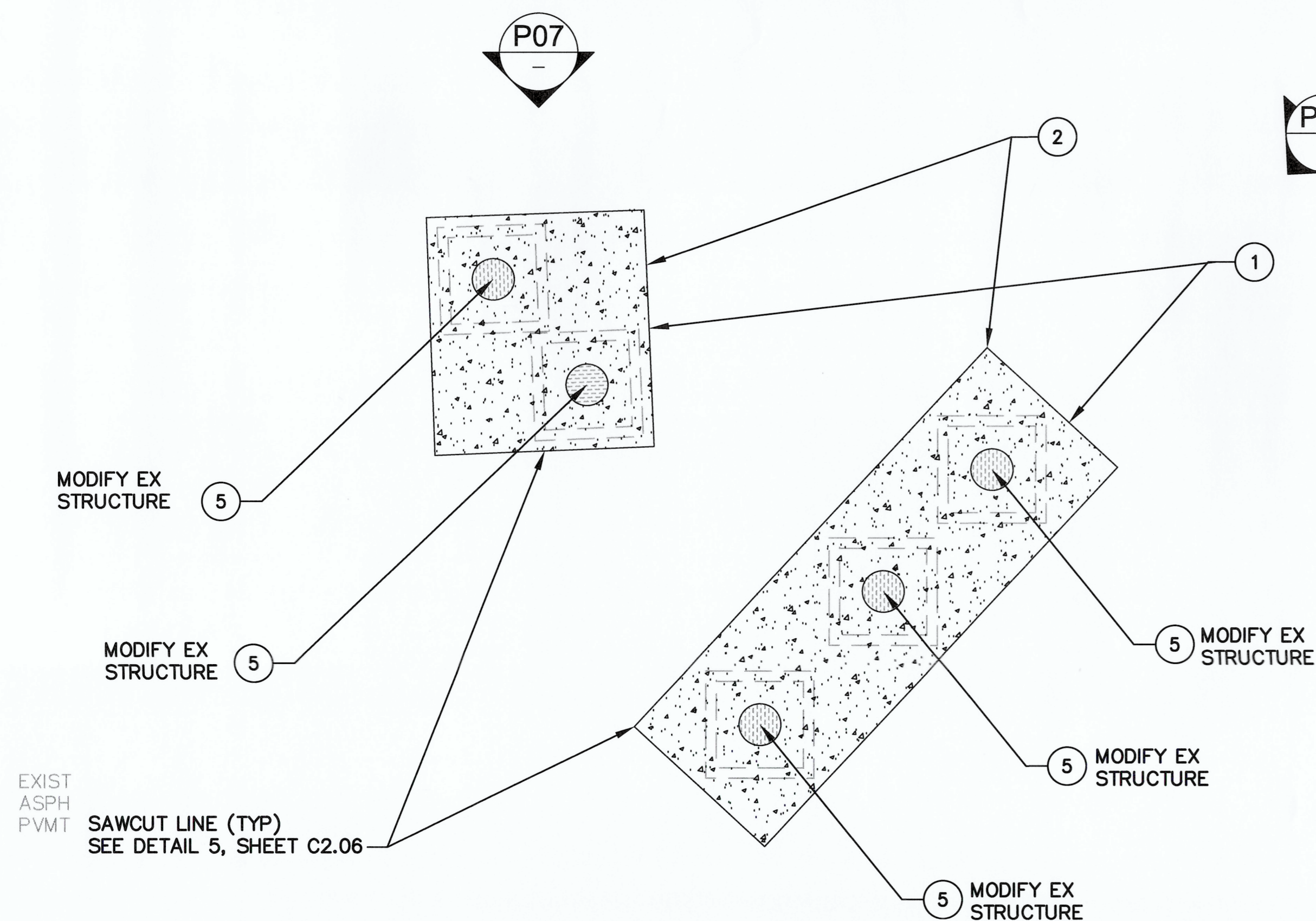
1. EXISTING STRUCTURES ARE SHOWN AT ESTIMATED LOCATIONS, SIZE AND CONFIGURATION. CONTRACTOR SHALL FIELD VERIFY SITE CONDITIONS.
2. NOT EVERY STD CONSTRUCTION NOTE IS USED ON EVERY SHEET.
3. PROTECT WORK AREAS PER DETAIL 7, SHEET C2.06.



moffatt & nichol 600 UNIVERSITY AVENUE SUITE 610 SEATTLE, WA 98101 (206) 822-0222		DATE: _____ APPR: _____ BY: _____ REVISION: _____	
N. COLSON 4/5/2026 CHECKED BY DATE A. PATTERSON 4/5/2026 PROJ. ENGR DATE T. HOWARD DIRECTOR PRINTED BY: cyoung Apr 15, 2026 PORT ADDRESS: ONE SITCOM PLAZA TACOMA, WA 98401-1837		5/6/2026	
PIERCE COUNTY TERMINAL OPERATIONAL PAVEMENT REPAIRS 2026 ENLARGED UTILITIES PLAN 02			
6745 C1.02 SHEET 6 OF 16	TOWNSHIP: 20N RANGE: 3E SECTION: _____ M. ID: 201038-02 PHASE: BID SET	DATE: HRZ: NAD83/2007 VERT: MLLW DRAWING SCALE: AS NOTED PARCEL: _____	AS NOTED

THIS DRAWING IS THE PROPERTY OF THE PORT OF TACOMA AND SHALL NOT BE USED ON OTHER WORK, DISCLOSED, COPIED, IN WHOLE OR IN PART, WITHOUT WRITTEN PERMISSION

BINDING EDGE



7 TYPICAL CPV, CPV, PV, PV & SV (ELEC / COMM VAULTS)
SCALE: 1" = 5'

9 TYPICAL CB (TYPE 1L CB)
SCALE: 1" = 5'

STD CONSTRUCTION NOTES:

- 1 LIMITS OF ACP REMOVAL.
- 2 LIMITS OF REINF CONC SLAB.
- 3 ADJUST TYPE 1L CB AND RESTORE SURFACING, SEE DETAIL 1, SHEET C2.01.
- 4 ADJUST TYPE 2 CB AND RESTORE SURFACING, SEE DETAIL 2, SHEET C2.02.
- 5 ADJUST VAULT AND RESTORE SURFACING, SEE DETAIL 3, SHEET C2.03.
- 6 ADJUST WATER VALVE BOX AND RESTORE SURFACING, SEE DETAIL 4, SHEET C2.04.

NOTES:

- 1. EXISTING STRUCTURES ARE SHOWN AT ESTIMATED LOCATIONS, SIZE AND CONFIGURATION. CONTRACTOR SHALL FIELD VERIFY SITE CONDITIONS.
- 2. NOT EVERY STD CONSTRUCTION NOTE IS USED ON EVERY SHEET.
- 3. PROTECT WORK AREAS PER DETAIL 7, SHEET C2.06.



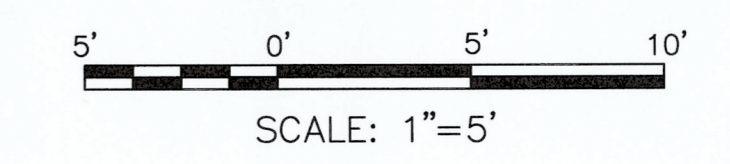
P07 TYPICAL CPV & CPV



P08 TYPICAL PV, PV & SV

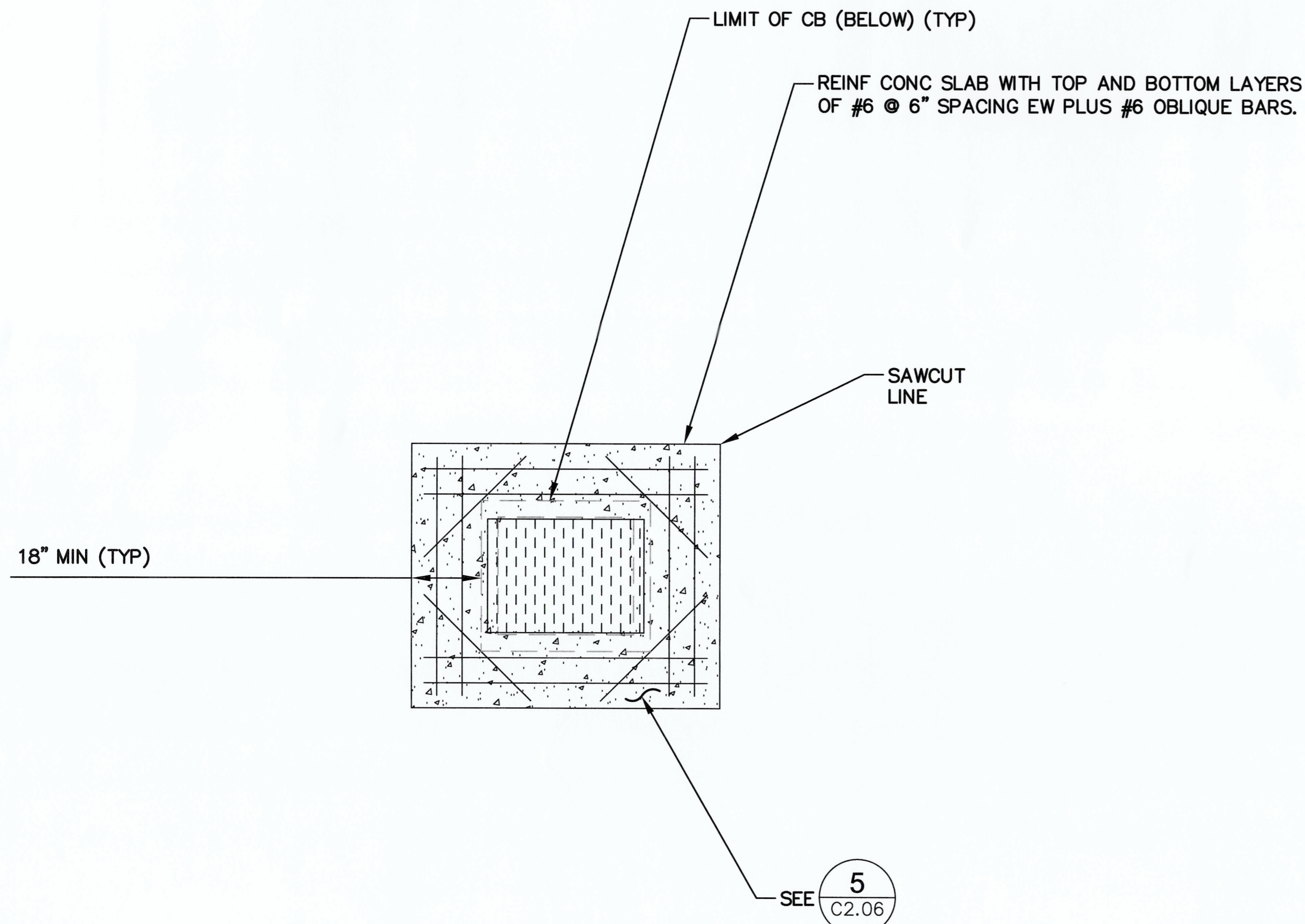


P09 TYPICAL CB

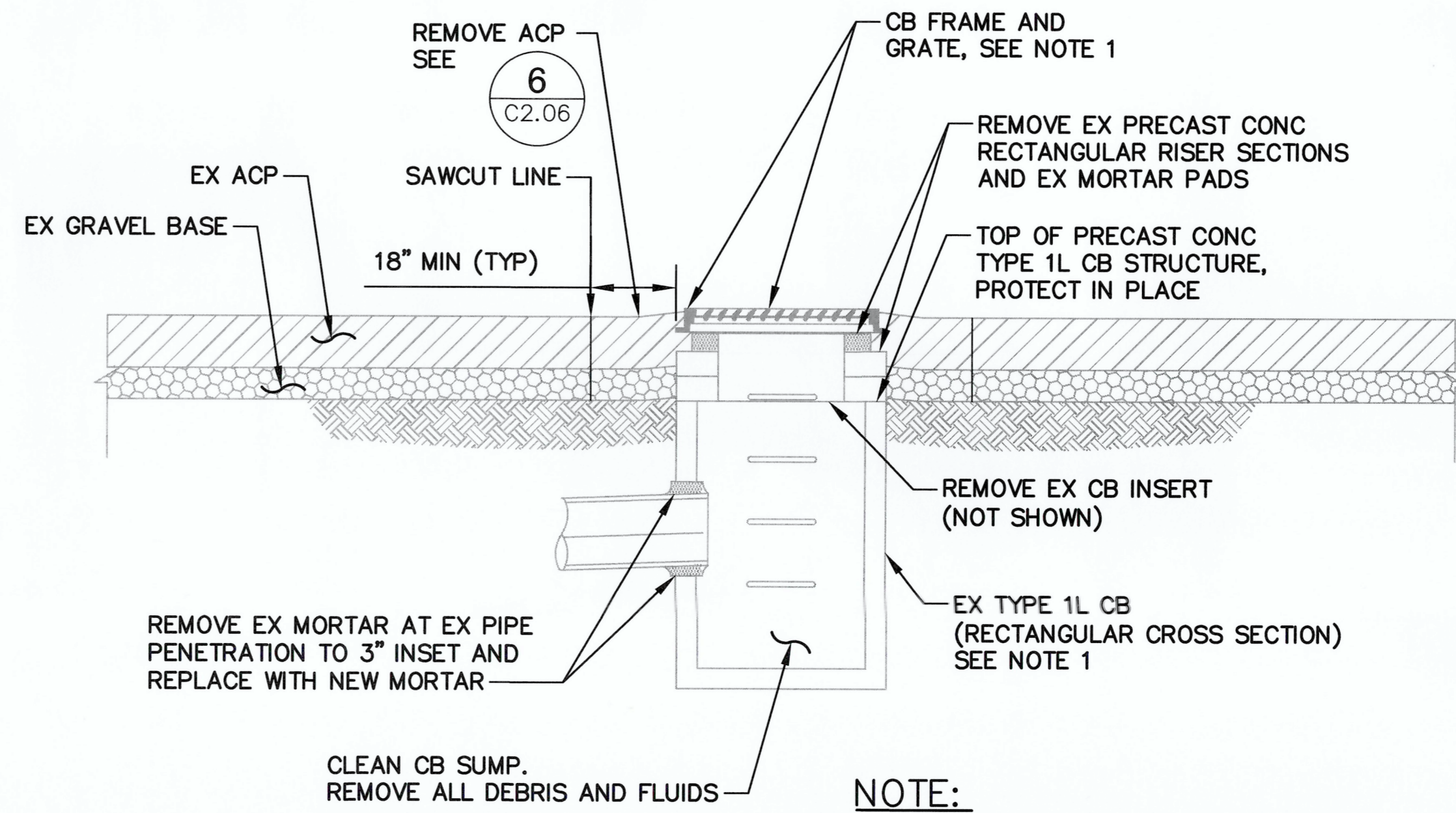


Port of Tacoma <small>P.O. BOX 607 TACOMA, WA 98401 (206) 622-1222</small>		moffatt & nichol <small>600 UNIVERSITY STREET, SUITE 610 SEATTLE, WA 98101 (206) 622-1222</small>	
MARK:	REVISION:	BY:	DATE:
PIERCE COUNTY TERMINAL OPERATIONAL PAVEMENT REPAIRS 2026 <small>ENLARGED UTILITIES PLAN 03</small>		<small>T. HOWARD</small> <small>APPROVED:</small> <small>DATE: 4/5/2026</small> <small>CHECKED BY: A. PATTERSON</small> <small>DATE: 4/5/2026</small> <small>PROJ. ENGR: A. PATTERSON</small> <small>DATE: Apr 15, 2026</small> <small>PORT ADDRESS: ONE SITCUM PLAZA TACOMA, WA 98401-1837</small>	
CONT/CONS:	TOWNSHIP:	RANGE:	SECTION:
PA00000178	20N	3E	
M. ID:	DAT-HRZN:ADBS/	2007/VERT:	MLLW
201038.02			
PHASE:	BID SET	PARCEL:	DRAWING SCALE:
			AS NOTED
6745 C1.03 <small>SHEET 7 OF 16</small>		<small>THIS DRAWING IS THE PROPERTY OF THE PORT OF TACOMA AND SHALL NOT BE USED ON OTHER WORK, DISCLOSED, COPIED, IN WHOLE OR IN PART, WITHOUT WRITTEN PERMISSION</small>	

PORT OF TACOMA FILE: P:\SEA\252233-03\20 CADD_Active_SheetSet\252233\03C1.01-C1.07

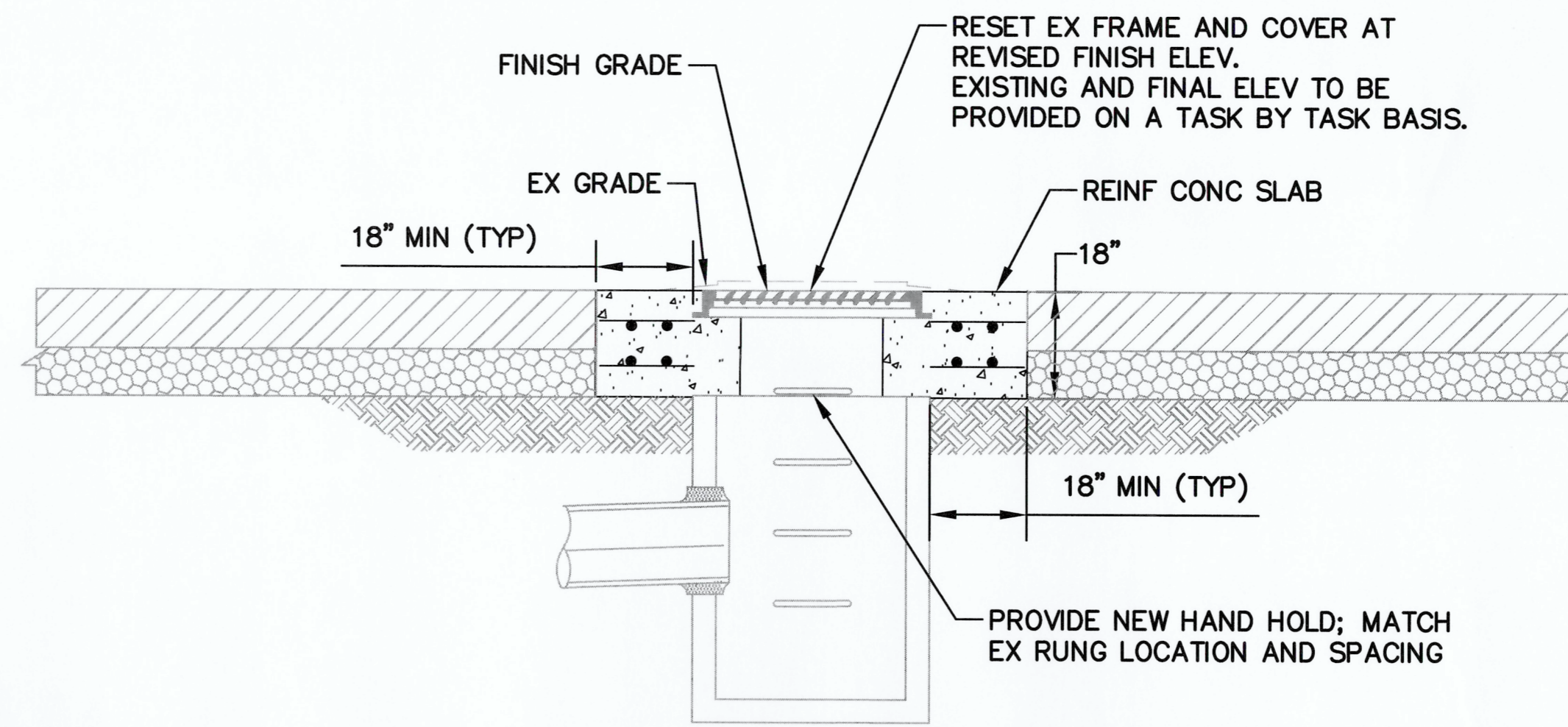


PLAN
SCALE: 1"=2'



SECTION - EXISTING CONDITION AND PREPARATION

SCALE: 1"=2'



SECTION - FINISH CONDITION

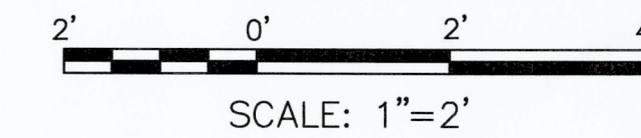
SCALE: 1"=2'

NOTE:

1. DIMENSIONS OF EXISTING FRAMES AND GRATES ARE APPROX 27" X 37"; INTERNAL DIMENSIONS OF TYPE 1L CB ARE 28" X 32".

1
VARIES

TYPICAL REHABILITATION OF TYPE 1L CB



6745
C2.01
SHEET 10 OF 16

PIERCE COUNTY TERMINAL
OPERATIONAL PAVEMENT REPAIRS 2026
SITE DETAILS 01

CONT./CONS:	PA000000178	TOWNSHIP:	ZON	RANGE:	3E	SECTION:	
MARK:	201038.02	DATE:	HRZ:AD83/2007	VERT:	MLLW	DRAWING SCALE:	AS NOTED
PHASE:	BID SET						

APPROVED:	<i>[Signature]</i>	CHECKED BY:	A. PATTERSON	DATE:	4/3/2026
DIRECTOR:	T. HOWARD	PROJ. ENGR:		DATE:	4/3/2026
PRINTED BY:	oyang	DATE:	Apr 15, 2026		
PORT ADDRESS: ONE SITCUM PLAZA		TACOMA, WA 98401-1837			

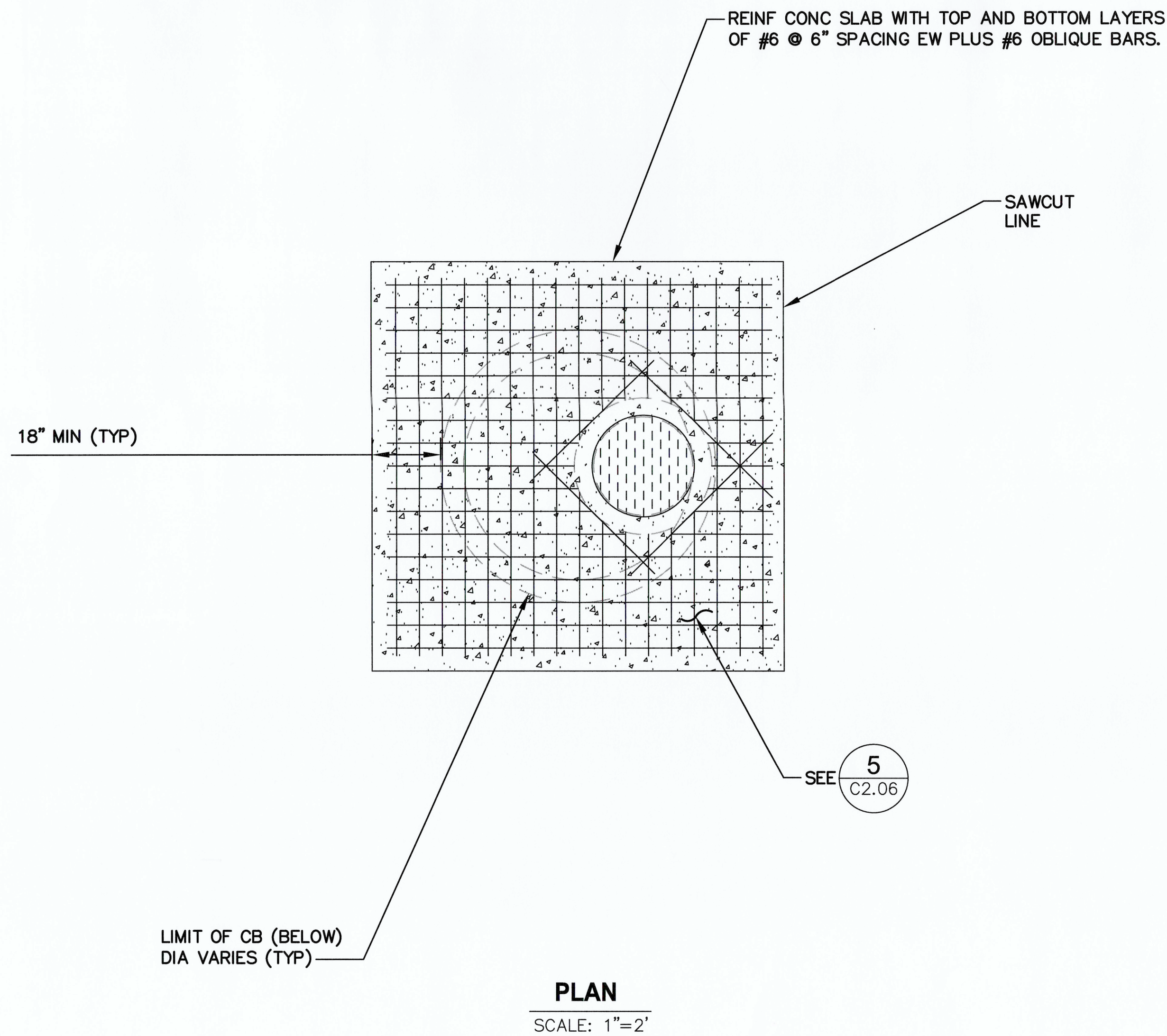


moffatt & nichol
800 UNIVERSITY STREET, SUITE 610
SEATTLE, WA 98101
(206) 822-6222

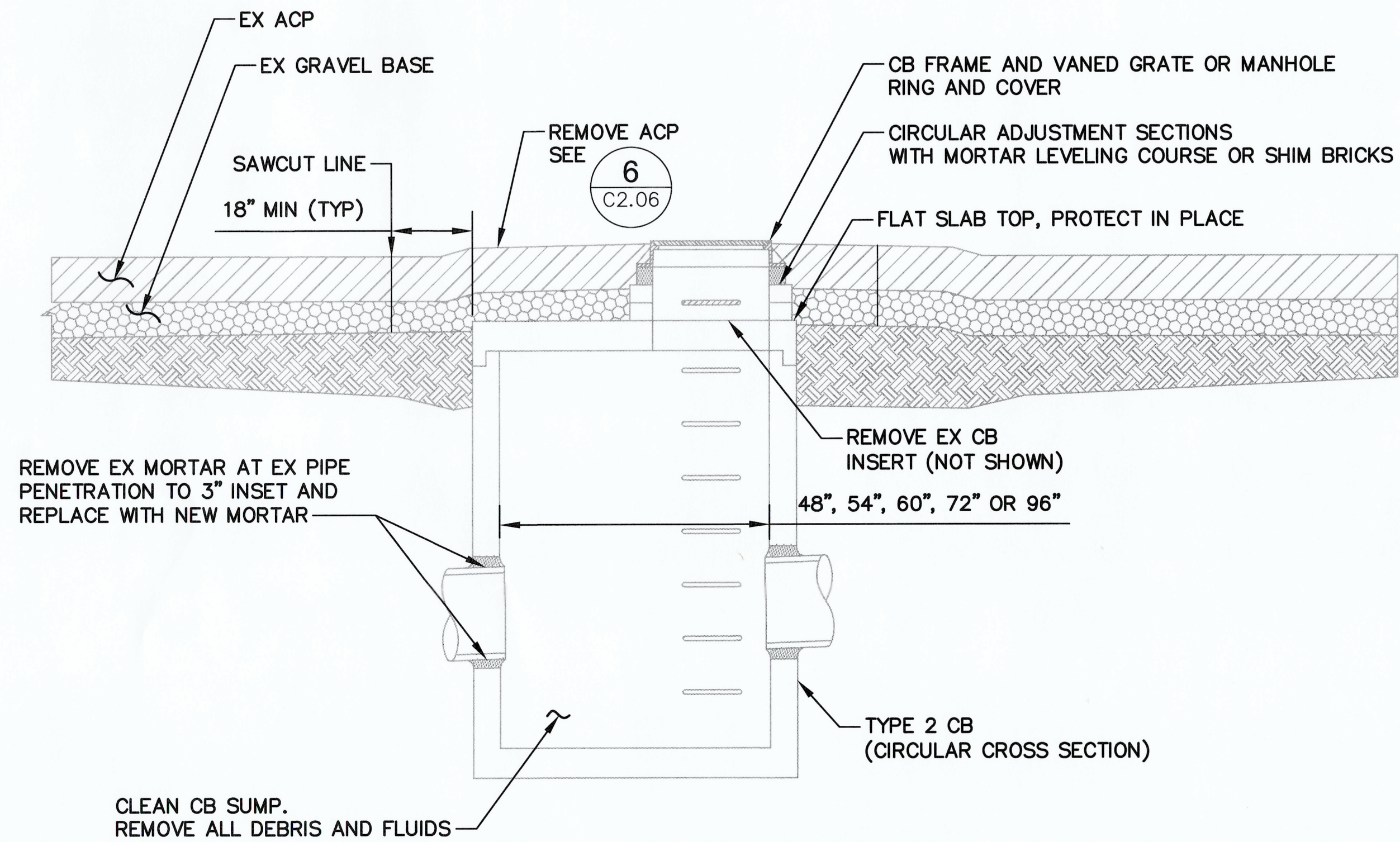
Part of Tacoma
P.O. BOX 1807 TACOMA, WA 98401-0180

MARK:		REVISION:	
BY:		DATE:	
APPR:			

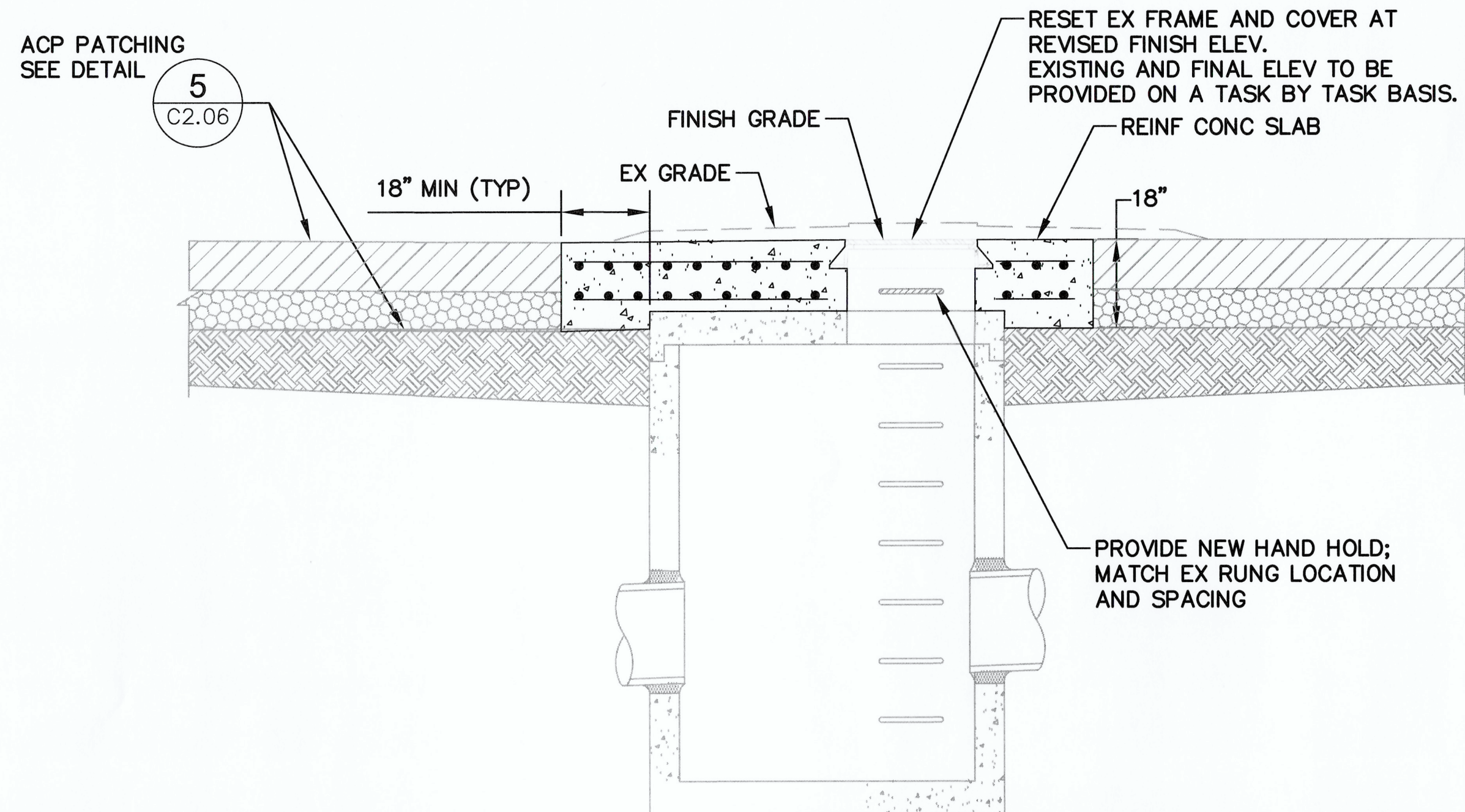
THIS DRAWING IS THE PROPERTY OF THE PORT OF TACOMA AND SHALL NOT BE USED ON OTHER WORK, DISCLOSED, COPIED, IN WHOLE OR IN PART, WITHOUT WRITTEN PERMISSION



PLAN
SCALE: 1"=2'

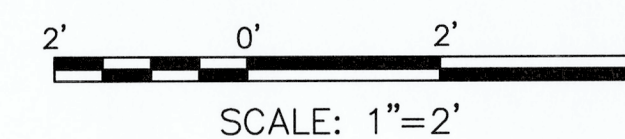


SECTION - EXISTING CONDITION
SCALE: 1"=2'



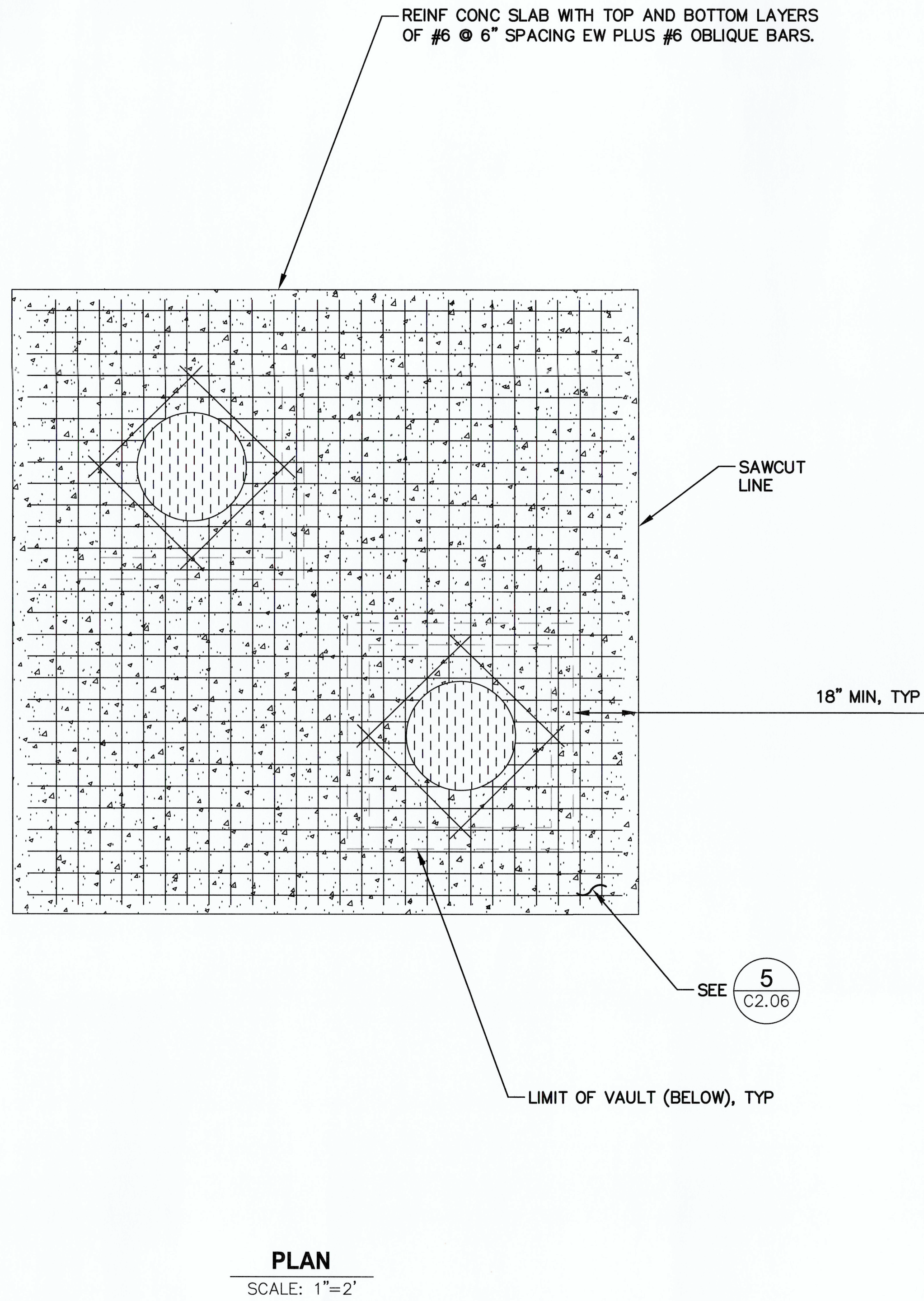
SECTION - FINISH CONDITION
SCALE: 1"=2'

2 TYPICAL REHABILITATION OF TYPE 2 CB
VARIES

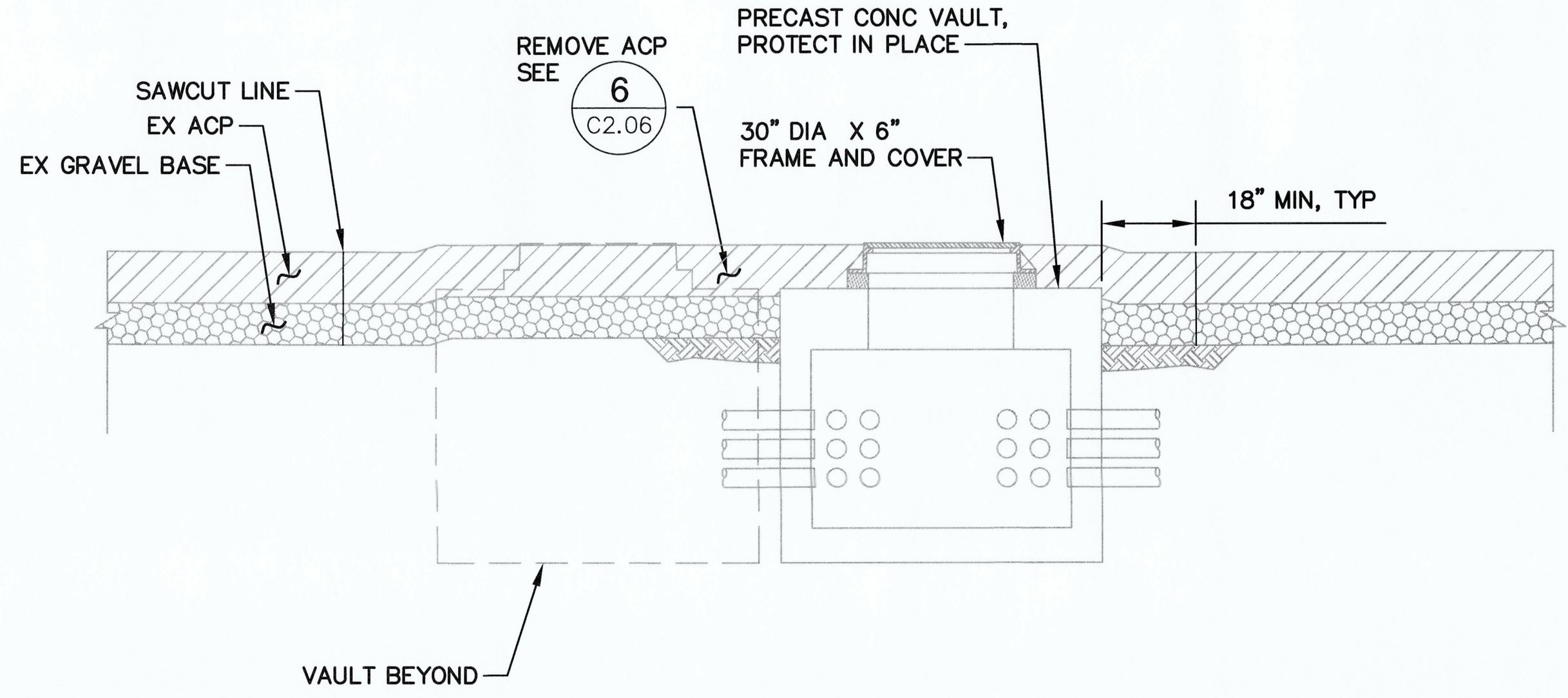


	6745 C2.02 SHEET 11 OF 16	PIERCE COUNTY TERMINAL OPERATIONAL PAVEMENT REPAIRS 2026 SITE DETAILS 02	N. COLSON CHECKED BY A. PATTERSON PROJ. ENGR	4/3/2026 DATE 4/3/2026 DATE
CONT./CONS: PA00000178 M. ID: 201038.02 PHASE: BID SET	TOWNSHIP: 20N DAT-HRZ:NAD83 RANGE: 3E SECTION: MLLW VERI: 2007 DRAWING SCALE: AS NOTED	MARK: REVISION: BY: DATE:	APPR:	APPROVED:

THIS DRAWING IS THE PROPERTY OF THE PORT OF TACOMA AND SHALL NOT BE USED ON OTHER WORK; DISCLOSED, COPIED, IN WHOLE OR IN PART, WITHOUT WRITTEN PERMISSION



PLAN
SCALE: 1"=2'

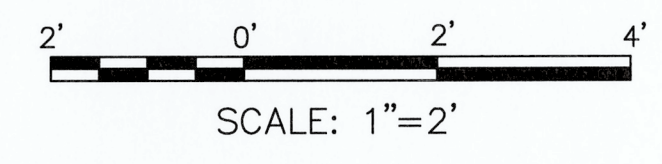


SECTION - EXISTING CONDITION AND PREPARATION
SCALE: 1"=2'

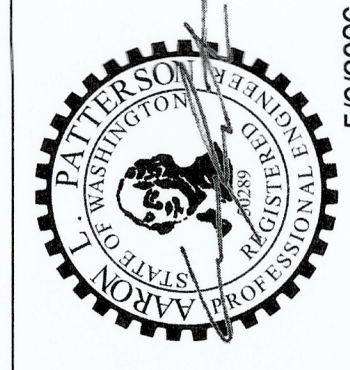


SECTION - FINISH CONDITION
SCALE: 1"=2'

3 VARIES TYPICAL REHABILITATION OF VAULT



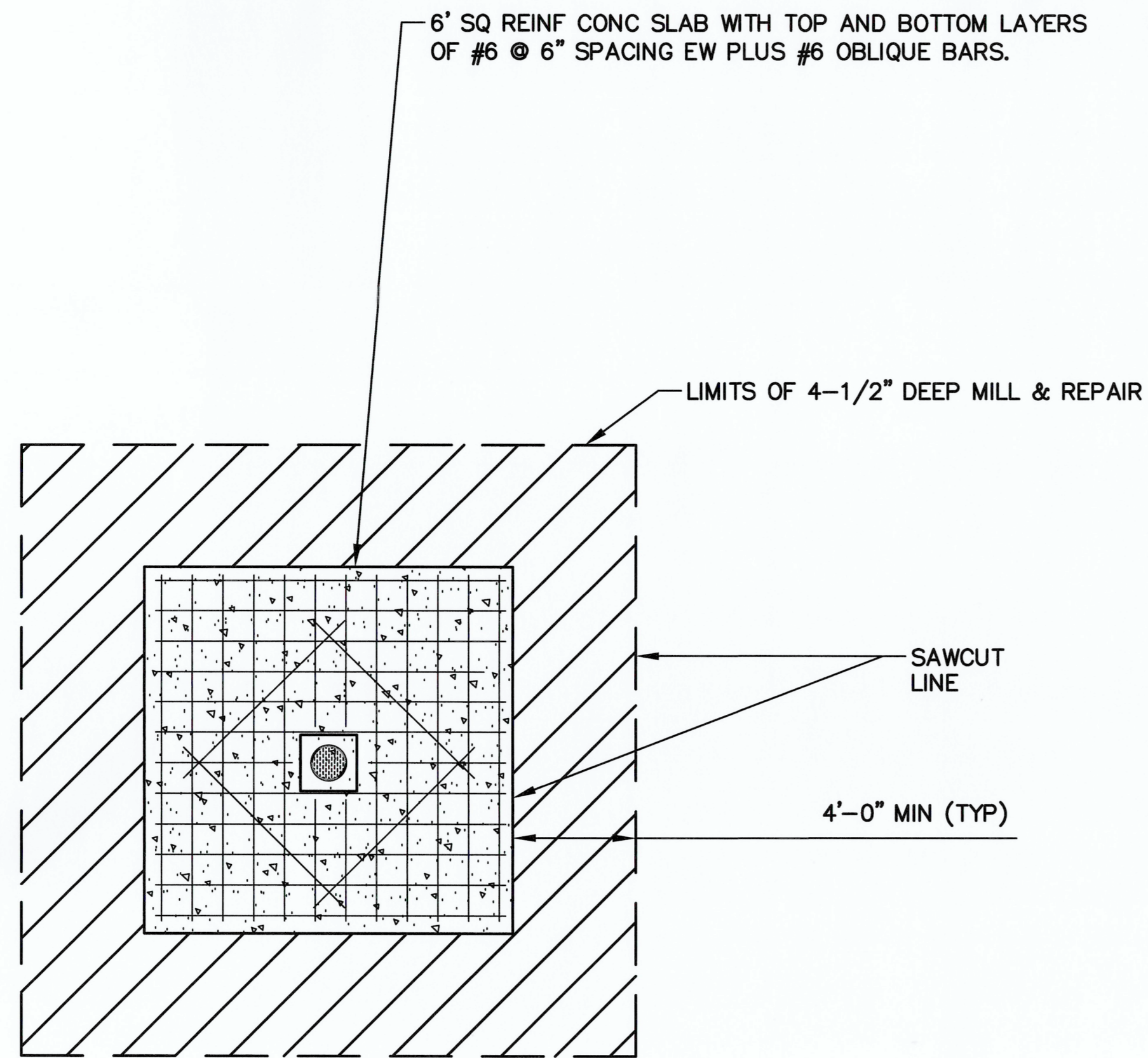
moffatt & nichol
 600 UNIVERSITY STREET, SUITE 610
 SEATTLE, WA 98101
 (206) 462-0222



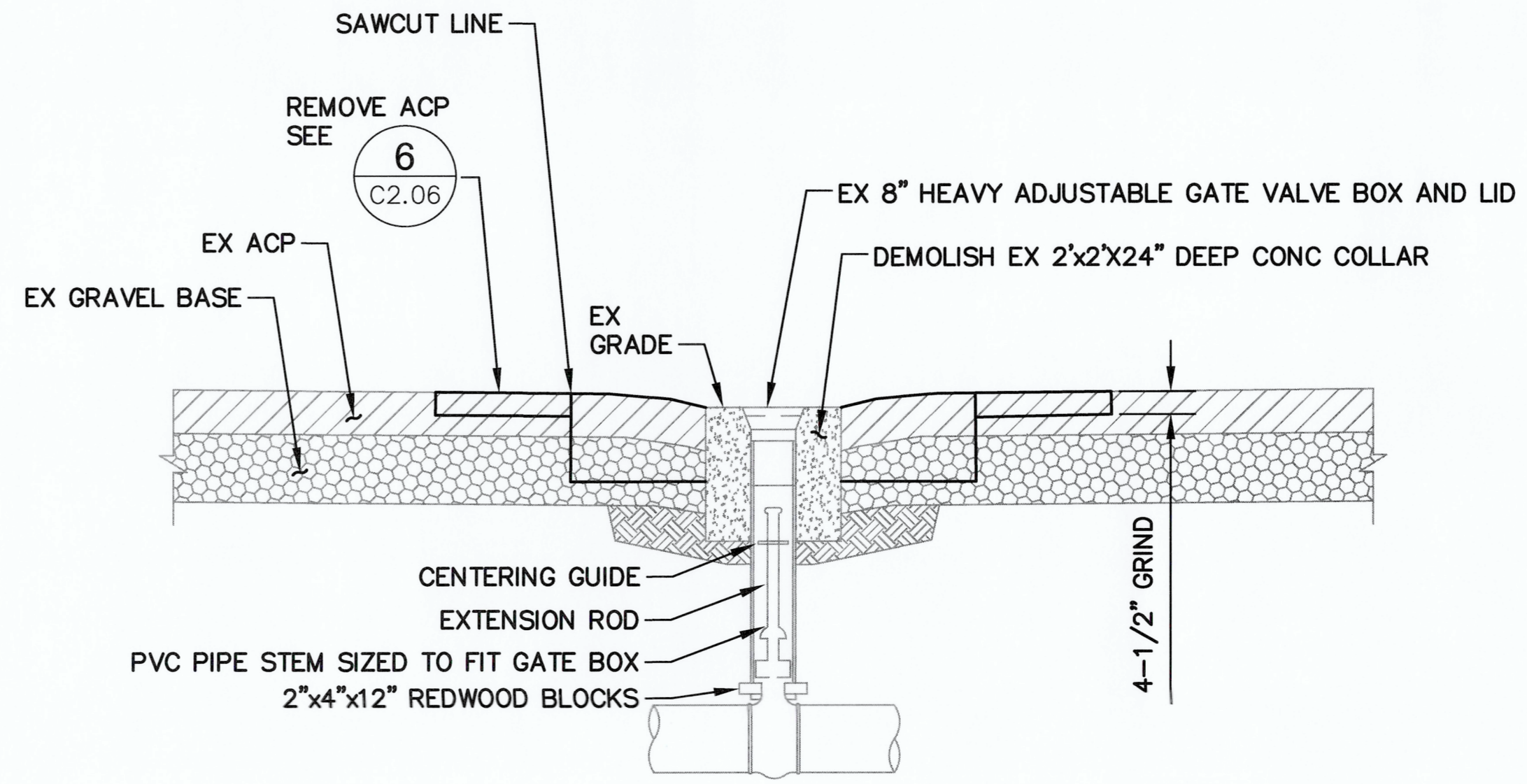
N. COLSON	4/5/2026	CHECKED BY	DATE
A. PATTERSON	4/5/2026	PROJ. ENGR	DATE
T. HOWARD	04/15/2026	DIRECTOR	DATE
PORT ADDRESS: ONE SITCUM PLAZA TACOMA, WA 98401-1837			

PIERCE COUNTY TERMINAL OPERATIONAL PAVEMENT REPAIRS 2026			
SITE DETAILS 03			
CONT/CONS:	PA00000178	TOWNSHIP:	20N
M. ID:	201038.02	DATE-HRZ:NAD83	2007
PHASE:	BID SET	VERT:	MLLW
RANGE:		3E	SECTION:
DRAWING SCALE:		AS NOTED	

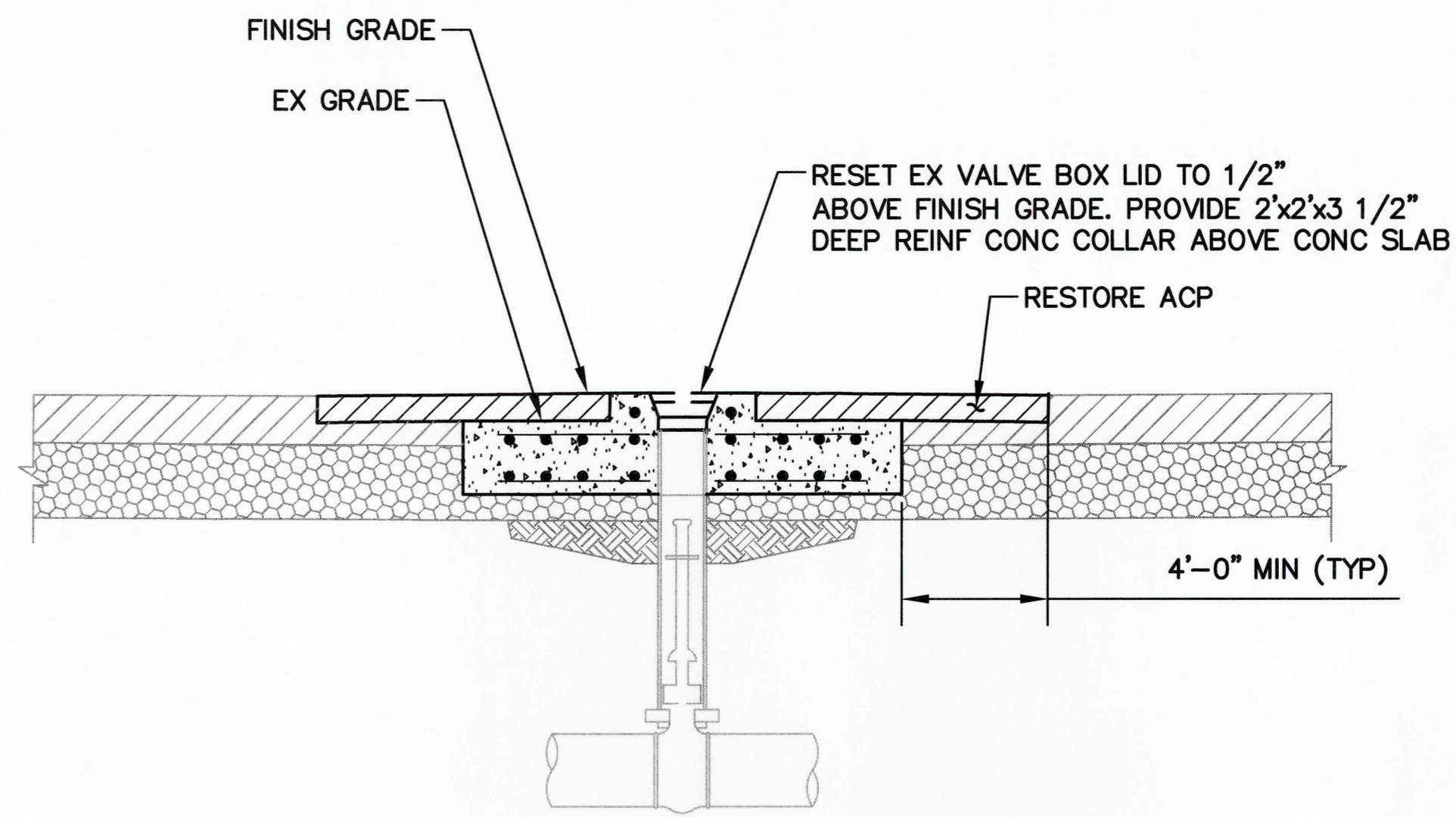
THIS DRAWING IS THE PROPERTY OF THE PORT OF TACOMA AND SHALL NOT BE USED ON OTHER WORK, DISCLOSED, COPIED, IN WHOLE OR IN PART, WITHOUT WRITTEN PERMISSION



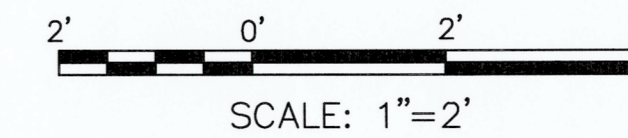
PLAN
SCALE: 1"=2'



SECTION - EXISTING CONDITION AND PREPARATION
SCALE: 1"=2'



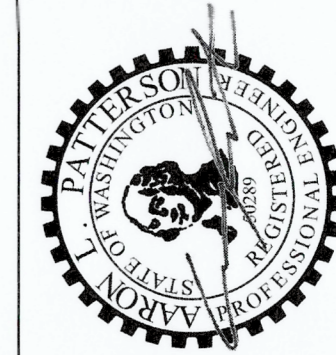
SECTION - FINISH CONDITION
SCALE: 1"=2'



4 TYPICAL REHABILITATION OF WATER VALVE BOX
VARIES



moffatt & nichol
600 UNIVERSITY STREET, SUITE 610
SEATTLE, WA 98107
(206) 622-0222



N. COLSON	4/5/2026	CHECKED BY	DATE
A. PATTERSON	4/5/2026	PROJ. ENGR	DATE
APPROVED: <i>[Signature]</i>		DIRECTOR ENG. DATE	
PRINTED BY: <i>[Signature]</i>		PORT ADDRESS: ONE SITCUM PLAZA	
		TACOMA, WA 98401-1837	

PIERCE COUNTY TERMINAL
OPERATIONAL PAVEMENT REPAIRS 2026
SITE DETAILS 04

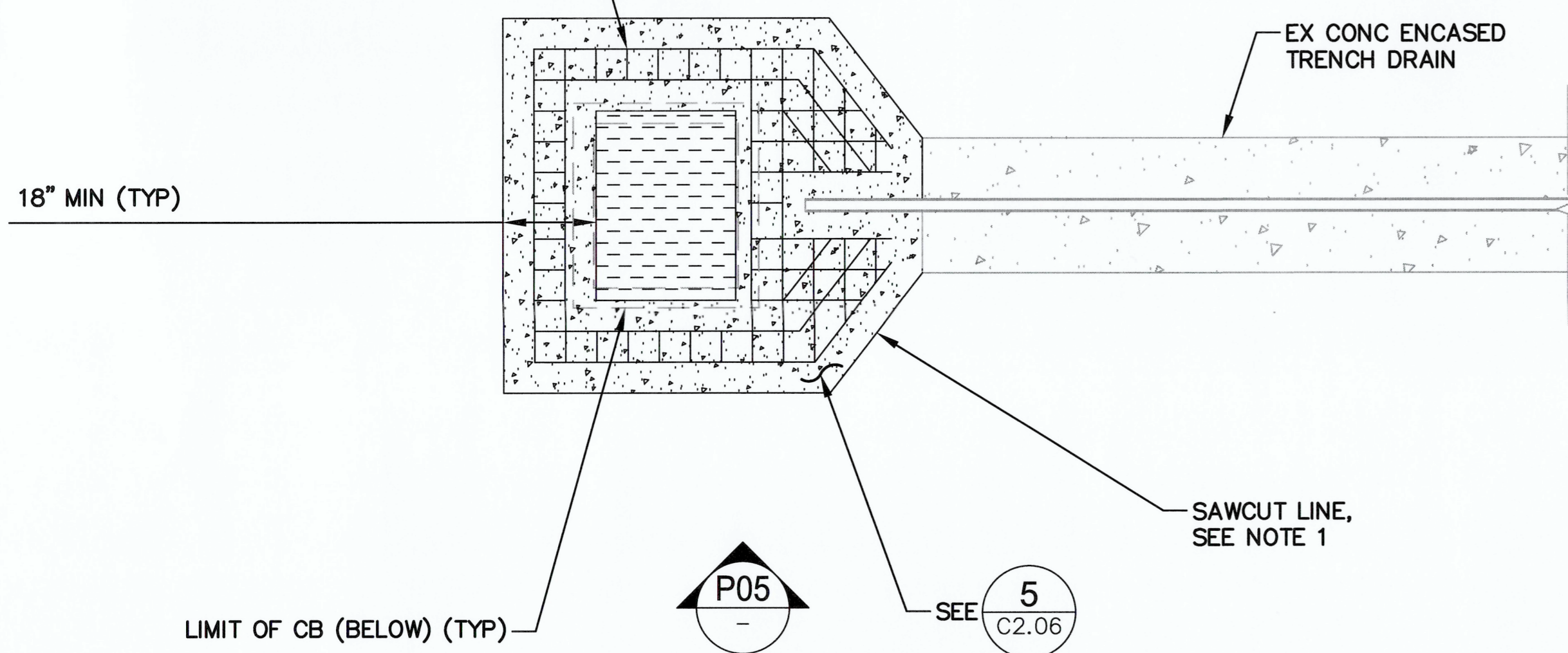
6745
C2.04
SHEET 13 OF 16

CONT/CONS:	PA00000178	TOWNSHIP:	20N	RANGE:	3E	SECTION:	
M. ID:	201036.02	DATE-HRZ:	NA083/2007	VERT.:	MLLW	DRAWING SCALE:	AS NOTED
PHASE:	BID SET	PARCEL:					

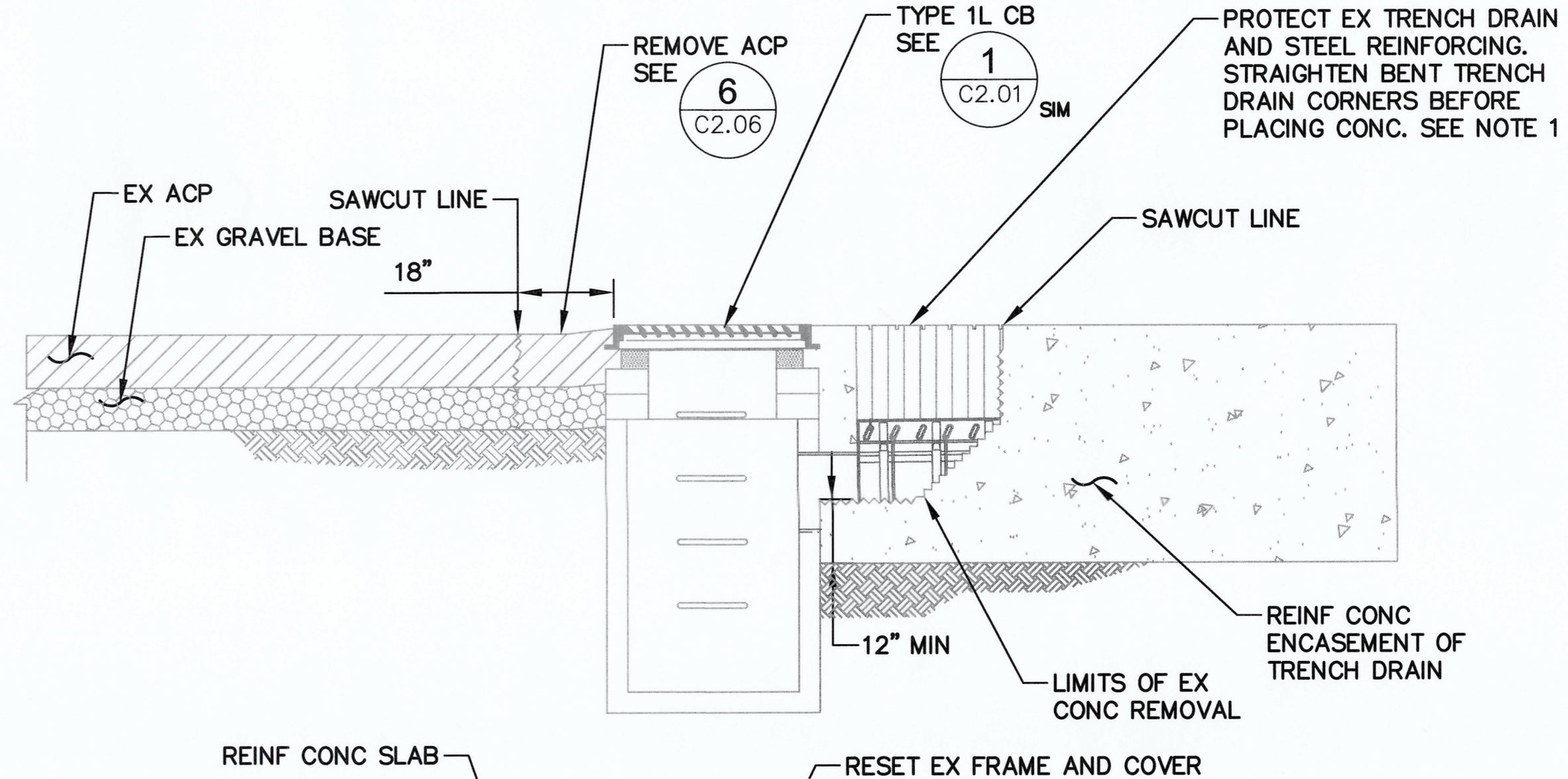
THIS DRAWING IS THE PROPERTY OF THE PORT OF TACOMA AND SHALL NOT BE USED ON OTHER WORK, DISCLOSED, COPIED, IN WHOLE OR IN PART, WITHOUT WRITTEN PERMISSION

BINDING EDGE

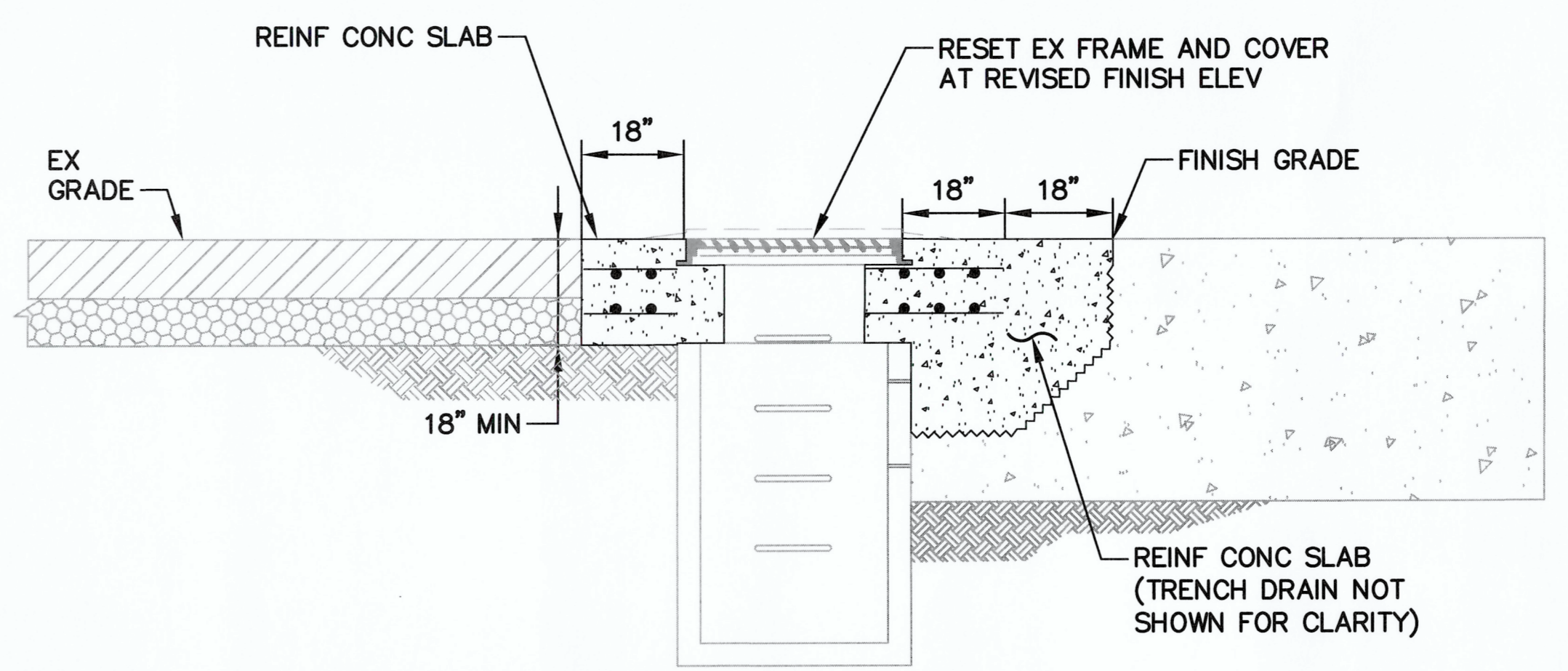
REINF CONC SLAB WITH TOP AND BOTTOM LAYERS OF #6 @ 6" SPACING EW PLUS #6 OBLIQUE BARS



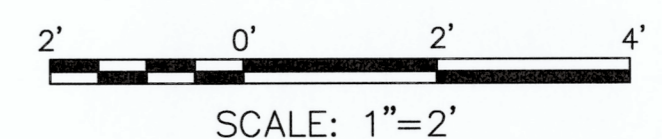
PLAN
SCALE: 1"=2'



SECTION - EXISTING CONDITION AND PREPARATION
SCALE: 1"=2'



SECTION - FINISH CONDITION
SCALE: 1"=2'



NOTE:

- SAWCUT TOP 3 INCHES OF EXISTING REINFORCED CONCRETE TRENCH STRUCTURE AT THE LOCATION INDICATED. DO NOT DAMAGE EXISTING TRENCH DRAIN EMBEDDED METAL RISER OR PIPE SECTIONS. JACK HAMMER TO REMOVE LOOSE CONCRETE AND PROVIDE A SOLID BASE SURFACE. MAINTAIN REINFORCING STEEL FOR USE IN NEW REINFORCED CONCRETE SLAB. APPLY BONDING AGENT TO EXISTING CONCRETE SURFACES. PROVIDE ADDITIONAL REINFORCEMENT AS DIRECTED BY THE ENGINEER.



PHOTO - EXAMPLE EXISTING CONDITION



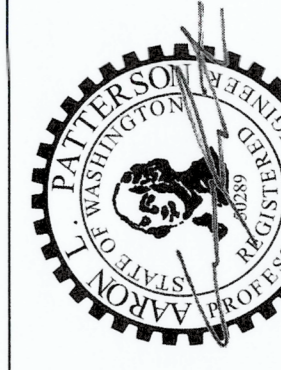
PHOTO - EXAMPLE FINISH CONDITION

P05 TYPICAL TYPE 1L CB WITH TRENCH DRAIN
NO SCLAE

5 VARIES TYPICAL REHABILITATION OF TYPE 1L CATCH BASIN WITH TRENCH DRAIN



moffatt & nichol
600 UNIVERSITY STREET, SUITE #10
SEATTLE, WA 98101
(206) 462-7022



APPROVED: *T. Howard*
T. HOWARD
DIRECTOR ENGR. DATE: 04/05/2026
N. COLSON 4/5/2026
CHECKED BY DATE
A. PATTERSON 4/5/2026
PROJ. ENGR DATE
PRINTED BY: ovyana Apr 15, 2026
PORT ADDRESS: ONE SITCUM PLAZA
TACOMA, WA 98401-1837

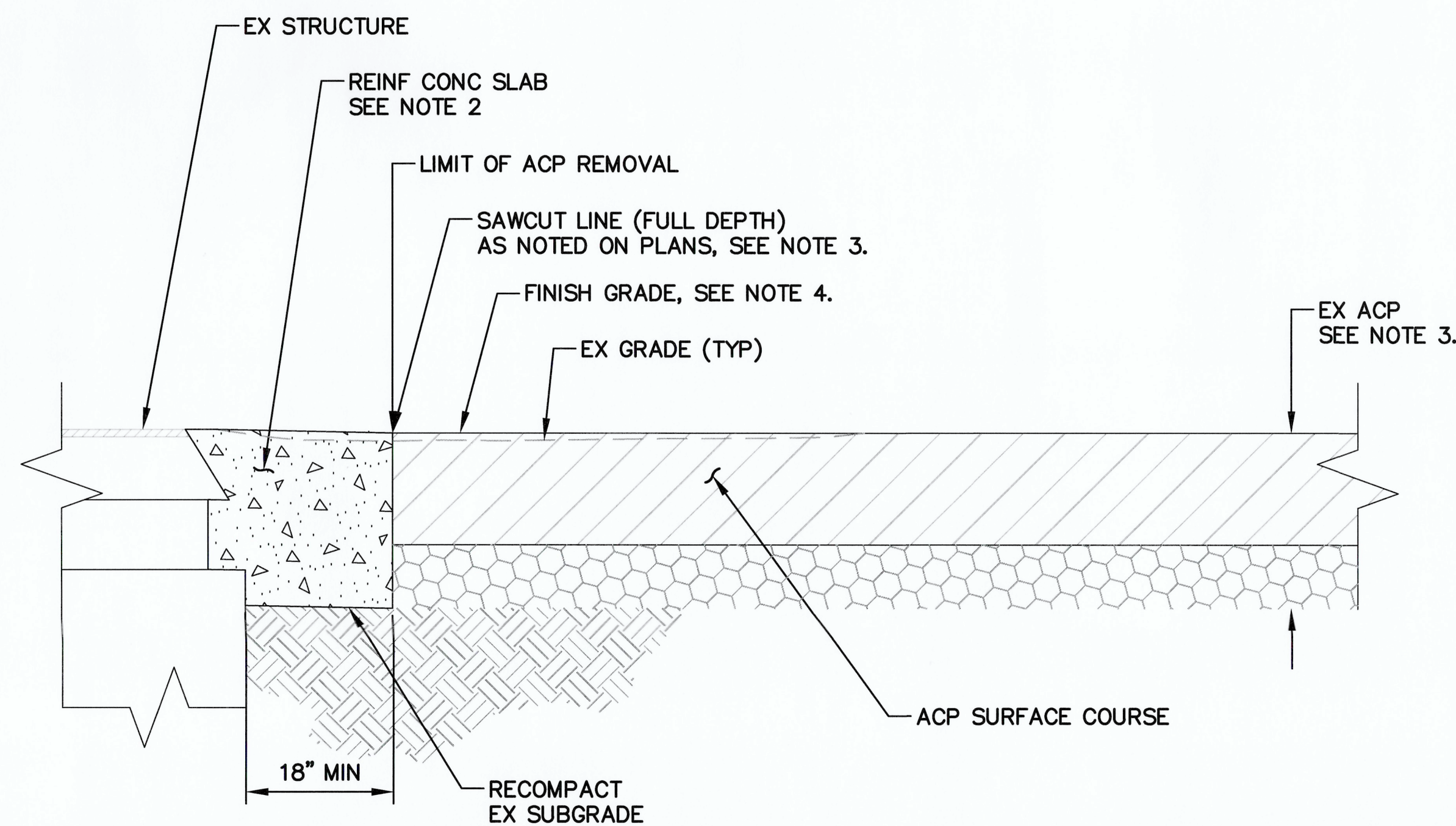
PIERCE COUNTY TERMINAL
OPERATIONAL PAVEMENT REPAIRS 2026
SITE DETAILS 05
TOWNSHIP: 20N RANGE: 3E SECTION:
CONT/CONS: PA00000178 DAT-HRZ:AD83/2007/VERT: MLLW
M. ID: 201038.02 PARCEL:
PHASE: BID SET DRAWING SCALE: AS NOTED

6745
C2.05
SHEET 14 OF 16

MARK:	REVISION:	BY:	DATE:

THIS DRAWING IS THE PROPERTY OF THE PORT OF TACOMA AND SHALL NOT BE USED ON OTHER WORK, DISCLOSED, COPIED, IN WHOLE OR IN PART, WITHOUT WRITTEN PERMISSION

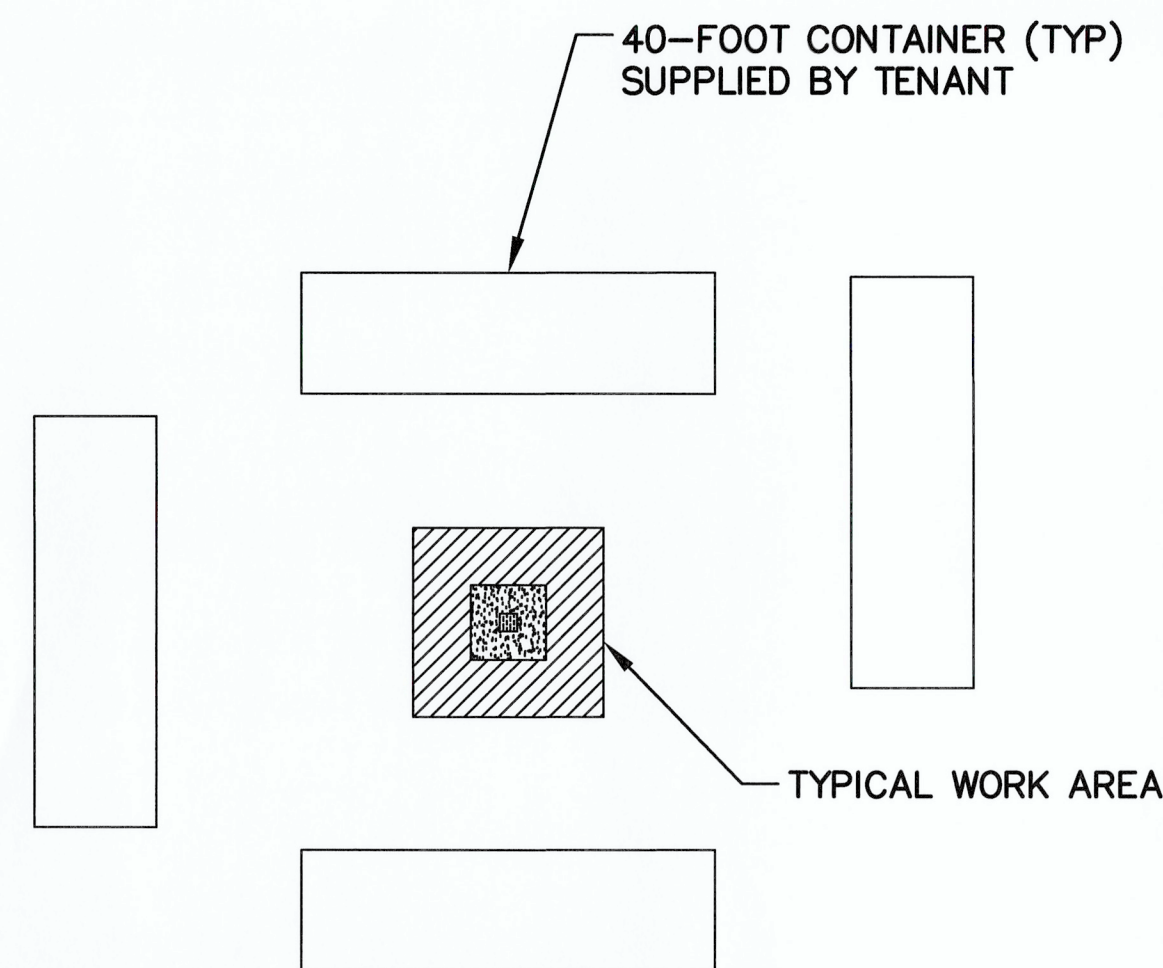
PORT OF TACOMA FILE: P:\SEA\252233-03\20 CADD_Active_SheetSet\252233\03-C2.05-C2.06



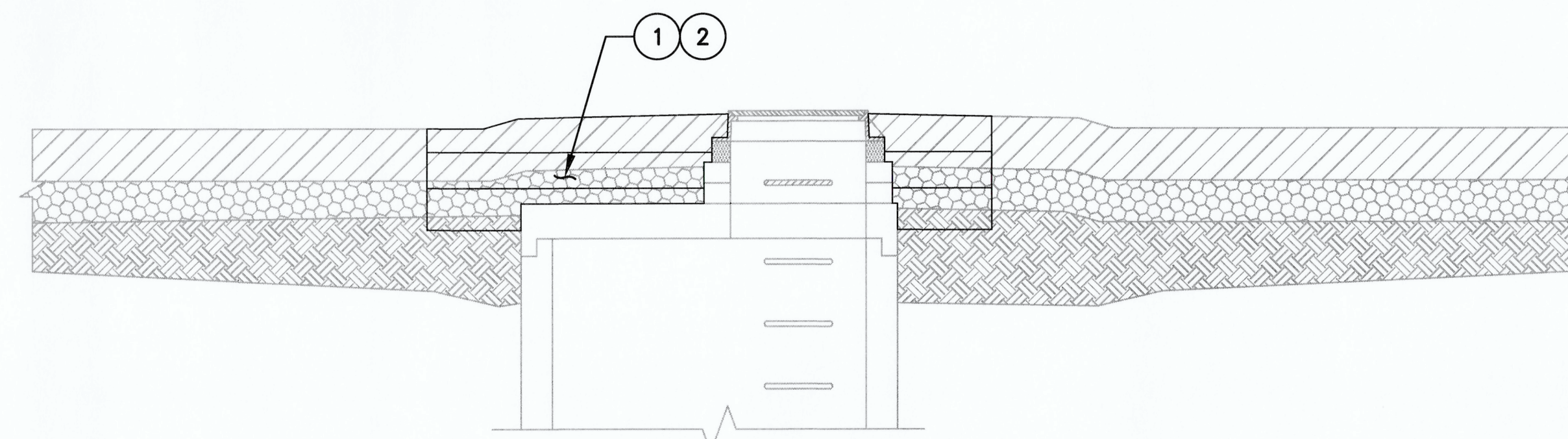
NOTES:

1. REINF CONC SLAB SHALL EXTEND MINIMUM 1.5' HORIZONTALLY BEYOND EXTERIOR LIMIT OF EXIST STRUCTURE BELOW OR AS SHOWN OR INDICATED ON THE PLANS.
2. MATCH ELEVATION OF ADJUSTED STRUCTURE GRATE OR RIM. FIELD VERIFY FRAME AND GRATE (OR COVER) DIMENSIONS. THIS CONCRETE SLAB SHALL BE CAST MONOLITHIC WITH CAST-IN-PLACE STRUCTURE RISERS (NOT SHOWN) WHERE APPLICABLE.
3. EXISTING PAVEMENT SECTION VARIES THROUGHOUT THE YARD. TYPICAL SECTION MAY INCLUDE ±8" TO 10" OF SUPERPAVE ACP ON ±2" OF CLASS B ACP OVER A CRUSHED ROCK BASE OR PITRUN SUB-GRADE.
4. FINISH ELEVATIONS SHALL BE ADJUSTED AS DIRECTED BY THE ENGINEER TO ACCOMMODATE ADJACENT PAVEMENT ELEVATIONS AND TO ENSURE POSITIVE DRAINAGE.

5 TYPICAL ASPHALT CONCRETE PATCHING AT EXISTING STRUCTURE
 VARIES SCALE: 1" = 1'

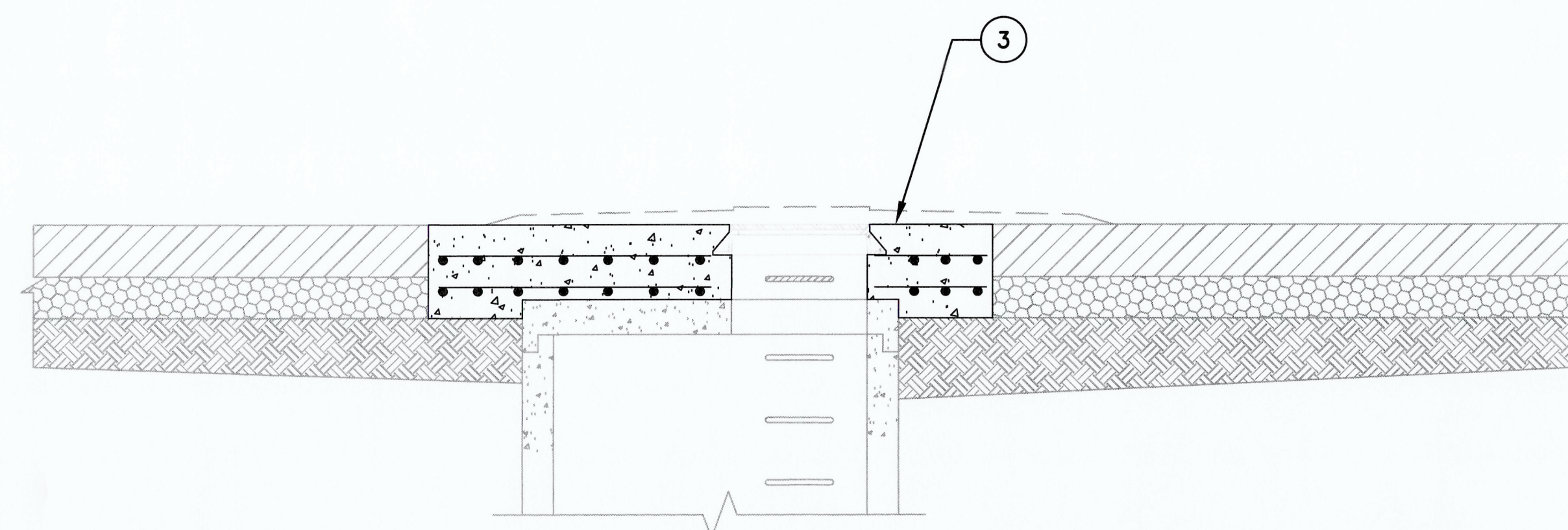


7 TYPICAL WORK AREA PROTECTION
 VARIES SCALE: NTS



SECTION - EXISTING CONDITION & PREPARATION

SCALE: 1"=2'



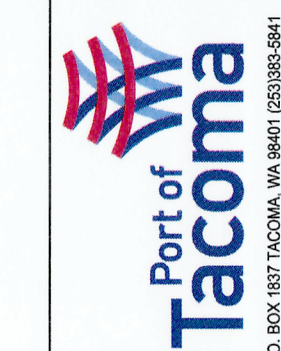
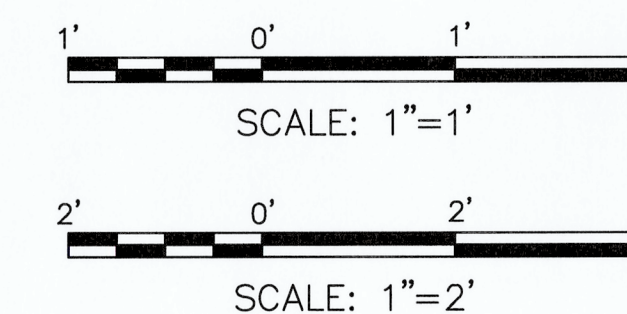
SECTION - PROPOSED CONDITION

SCALE: 1"=2'

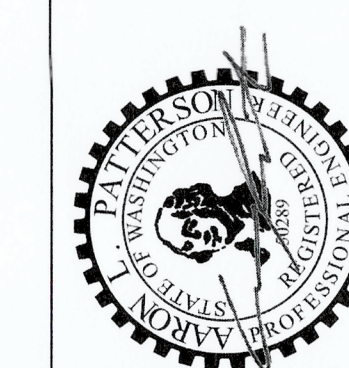
NOTES:

- 1 SAWCUT AND REMOVE ACP.
- 2 REMOVE PAVEMENT BASE AND EXCAVATE TO BOTTOM OF WORK AREA. COMPACT SUBGRADE TO UNYIELDING STATE.
- 3 CONSTRUCT REINFORCED CONC SLAB.

6 TYPICAL CONSTRUCTION SEQUENCE
 VARIES SCALE: 1" = 2'



moffatt & nichol
 600 UNIVERSITY STREET, SUITE 610
 SEATTLE, WA 98101
 (206) 422-0222

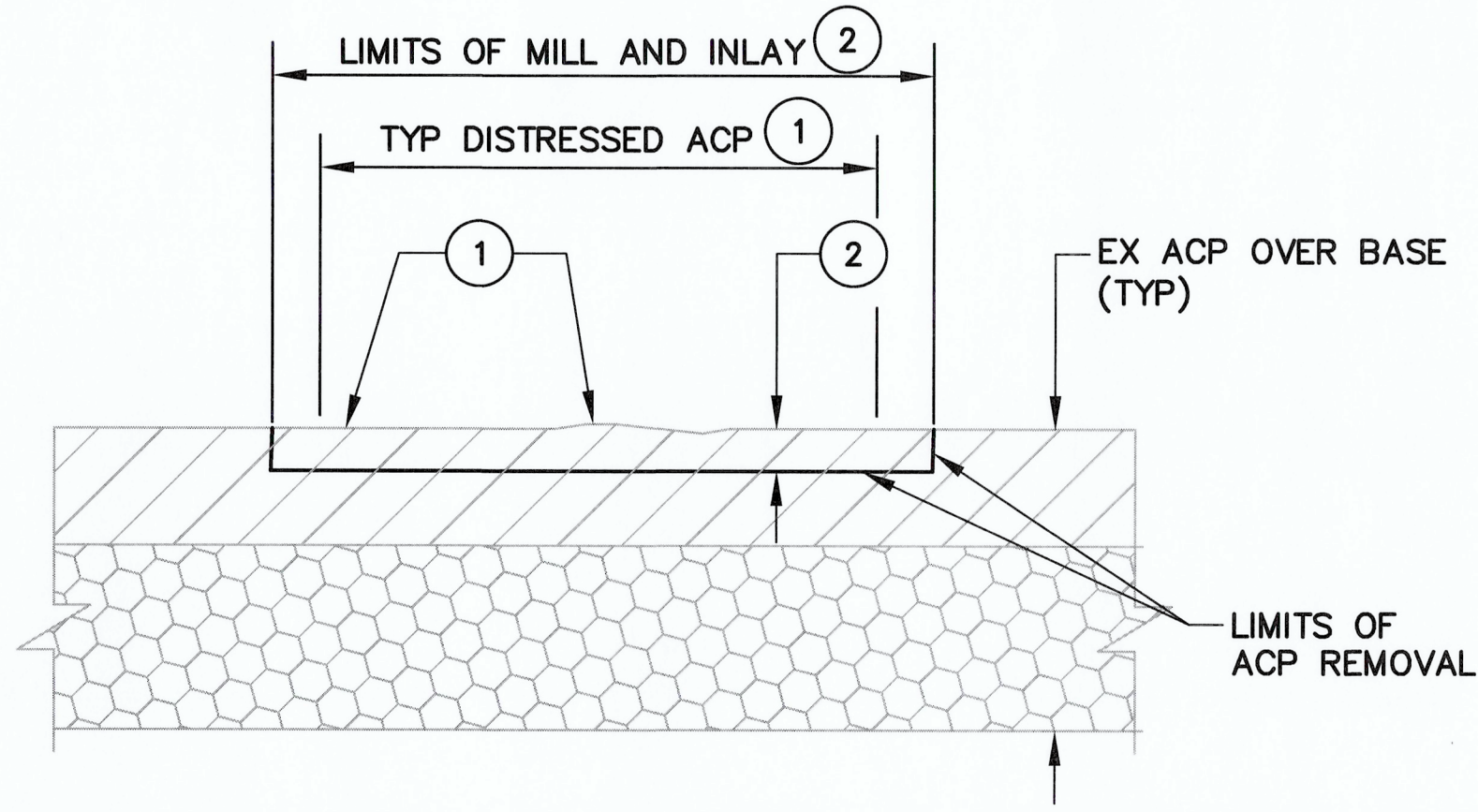


APPROVED: *[Signature]*
 T. HOWARD
 DIRECTOR
 N. COLSON
 CHECKED BY: A. PATTERSON
 DATE: 4/3/2026
 PROJECT: Apr. 15, 2026
 PORT ADDRESS: ONE SITCUM PLAZA
 TACOMA, WA 98401-1837

**PIERCE COUNTY TERMINAL
 OPERATIONAL PAVEMENT REPAIRS 2026**
 SITE DETAILS 06

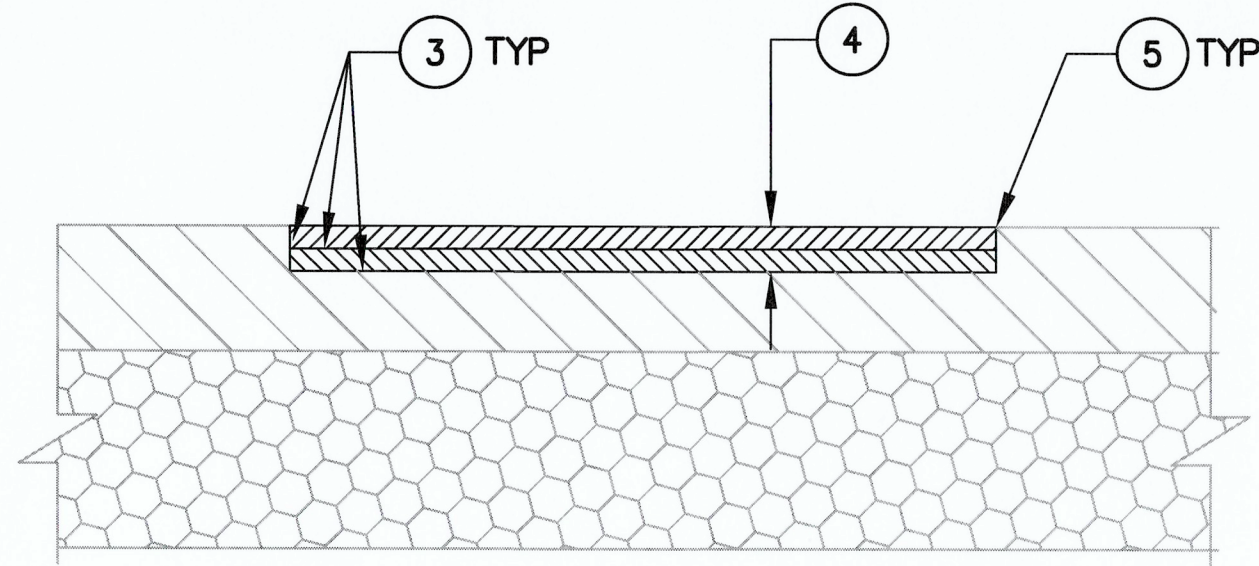
**6745
 C2.06**
 SHEET 15 OF 16
 CONT./CONS: PA00000178
 TOWNSHIP: 20N
 RANGE: 3E
 SECTION: 3E
 M. ID: 201038.02
 DAT-HRZ: NAD83/2007
 VERT: MLLW
 PARCEL: []
 PHASE: BID SET
 DRAWING SCALE: AS NOTED

THIS DRAWING IS THE PROPERTY OF THE PORT OF TACOMA AND SHALL NOT BE USED ON OTHER WORK, DISCLOSED, COPIED, IN WHOLE OR IN PART, WITHOUT WRITTEN PERMISSION



SECTION - EXISTING CONDITION AND PREPARATION

SCALE: NTS



SECTION - FINISH CONDITION

SCALE: NTS

PAVEMENT REPAIRS (AS NEEDED)

SCALE: NTS

KEY NOTES:

- ① EXISTING DAMAGED ACP (LIMITS AND SEVERITY VARY).
- ② MILL EXISTING ACP TO THE NECESSARY LIMITS AND DEPTH TO ACCOMMODATE A 4.5 INCHES INLAY.
- ③ REFER TO THE SPECIFICATIONS FOR TACK COAT REQUIREMENTS.
- ④ PROVIDE 4.5 INCHES ACP INLAY VIA A 2½ INCHES BASE LIFT FOLLOWED BY A 2 INCHES SURFACE LIFT.
- ⑤ PROVIDE JOINT SEALANT.

6745
C2.07
SHEET 16 OF 16

PIERCE COUNTY TERMINAL
OPERATIONAL PAVEMENT REPAIRS 2026
PAVING SECTIONS

APPROVED: *[Signature]*
T. HOWARD
DIRECTOR ENG. DATE: 04/15/2026
PRINTED BY: gyang
PORT ADDRESS: ONE SITCUM PLAZA
TACOMA, WA 98401-1837

N. COLSON 4/3/2026
CHECKED BY DATE

A. PATTERSON 4/3/2026
PROJ. ENGR DATE



moffatt & nichol
600 UNIVERSITY AVENUE, SUITE 610
SEATTLE, WA 98101
(206) 622-0222



MARK: REVISION: BY: APPR: DATE:

THIS DRAWING IS THE PROPERTY OF THE PORT OF TACOMA AND SHALL NOT BE USED ON OTHER WORK, DISCLOSED, COPIED, IN WHOLE OR IN PART, WITHOUT WRITTEN PERMISSION