

snapmaker | Emergency Stop Button

QUICK START GUIDE

A250 & A350



MAKE SOMETHING WONDERFUL

CONTENTS

Before You Start	2
How to Assemble	7
How to Use	18

© 2020 Snapmaker. All rights reserved.

This language version of the guide is verified by the manufacturer (Original Instruction). No part of this publication, including pictures, may be reproduced or made public, whether by printing, photocopying, and microfilm or by any other means whatsoever, without the prior written permission of Snapmaker.

1 Before You Start

1.1 Disclaimer

Please read the Quick Start Guide carefully. Failure to read this guide is likely to result in personal injury, inferior results, or damage to Snapmaker products, for which we assume no responsibility or liability. Ensure anyone who uses this product has read and understood this guide. This guide is for reference use only, and we do not guarantee or warrant the accuracy, completeness, or currency of the information provided. We reserve the right to revise this guide in our sole discretion at any time without notice. Users can download the up-to-date guide from our official website.

The conditions or methods of assembly, handling, storage, use, maintenance, or disposal of this product are beyond our control. For this reason, Snapmaker is not responsible or liable for any loss, injuries, damage, or expense arising out of or in connection with the assembly, handling, storage, use, maintenance, or disposal of this product. When using Snapmaker products, users are responsible for fair use of intellectual properties and compliance with laws and regulations applicable.

1.2 Intended Use

The Snapmaker Emergency Stop Button applies to all dangerous situations where users are using Snapmaker 2.0 products. It can immediately stop all machine operations to avoid personal injury or damage to the machine and the workpiece. The Snapmaker Emergency Stop Button is intended for use under the guidelines provided in this guide.

1.3 Safety and Compliance

Do not expose the machine to rain or wet conditions.

Do not operate the machine on an unsound or uneven table or workbench.

Do not leave the machine unattended while it is on.

Keep away from the machine when it is in operation.

Do not operate the machine while tired or under the influence of drugs, alcohol, or medication.

Do not let children use the machine without the supervision and assistance of an adult.

Do not touch the moving parts while the machine is in operation.

Turn off the machine immediately if any of the following occurs:

- The machine is on fire which persists after it is turned off.
- The machine stops unexpectedly.
- Any damage is incurred to the interior components of the machine.
- Any unusual light or sound comes from the machine which has never occurred previously.

1.4 Used Symbols



Warning

Failure to follow this instruction might result in severe personal injury.



Caution

Failure to follow this instruction might result in malfunction, damage to the machine or workpiece, or slight personal injury.

**Tip**

Tells you practical advice.

**Direction**

Ensure the highlighted part is facing the right way.

1.5 Specifications

Emergency Stop Button

Dimensions	48 width × 40 depth × 68 height (mm), without conversion plate 48 width × 48 depth × 78 height (mm), with conversion plate
------------	---

Weight	0.2 kg
--------	--------

Rated Voltage	24 V
---------------	------

Rated Current	10 mA
---------------	-------

The specifications are subject to change without notice.

1.6 Parts List

This guide takes Snapmaker 2.0 A350 as a demonstration. All steps and illustrations demonstrated apply to the assembly and use of the Emergency Stop Button on A250 and A350.



Quick Start Guide × 1



2000 mm Cable × 1

500 mm Cable × 1



Emergency Stop Button × 1



M4 × 49 Hex Socket Head Screw × 4



M4 × 10 Hex Socket Head Screw × 6



Sliding Nut × 4



Conversion Plate × 1



Cable Clip × 6

1.7 Preparations

1.7.1 Firmware Update

After machine assembly, update the firmware to version 1.12.0 or later. For Touchscreen installed with the firmware of V1.9.0 or later, you can update via Wi-Fi or USB flash drive. For firmware previous to V1.9.0, update only via USB flash drive.

📶 : Turn on the machine > Connect your machine to a Wi-Fi network > Swipe left on the Touchscreen > Tap **Settings** > **Firmware Update** > **Check for Updates** > **Update Now** > **Complete**.

📁 : Download our firmware from <https://snapmaker.com/product/snapmaker-2/downloads> > Insert the USB flash drive into the Controller > Turn on the machine > Swipe left on the Touchscreen > Tap **Files** > Tap **USB** > Tap the firmware file to update.



1.7.2 Get the Screwdriver Ready



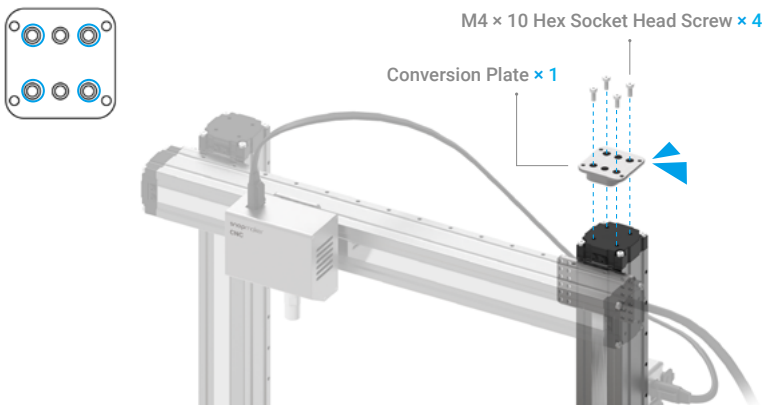
Use the H2.5 bit for machine assembly and other bits for maintenance. Before use, ensure the screw bit holder is put back into the handle.

2 How to Assemble

You can assemble the Emergency Stop Button on the machine or the Enclosure. If you want to assemble on the Enclosure, see page 11. Do not assemble the Emergency Stop Button on your desktop. Otherwise, you may fail to press the button in time when an emergency occurs.

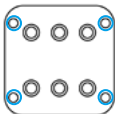
On the Machine

01/₀₃ Attach the Conversion Plate to the top of the Z Axis.



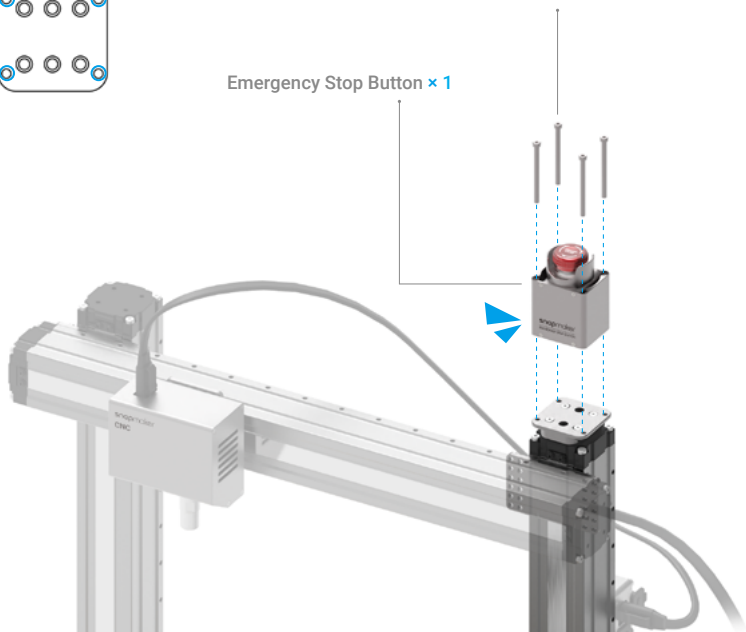
Turn off the machine before assembly.

02/03 Attach the Emergency Stop Button to the Conversion Plate.

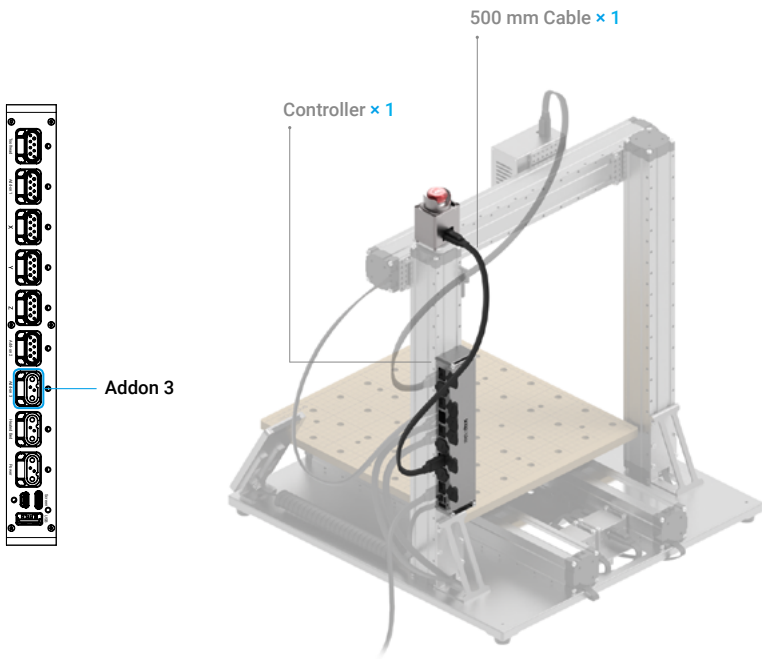


M4 × 49 Hex Socket Head Screw × 4

Emergency Stop Button × 1



03/03 Connect the Emergency Stop Button to the Controller via the short cable.



Do not connect or disconnect any cables when the machine is turned on.

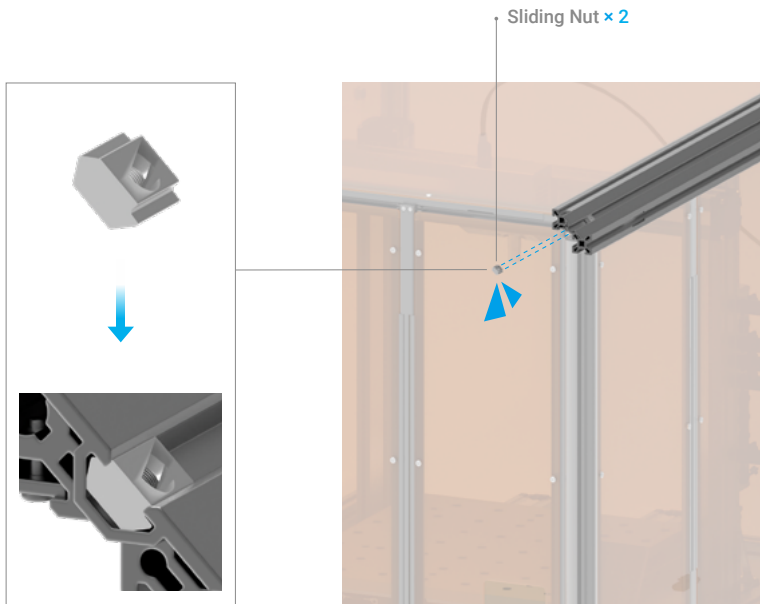


Congratulations

You are now ready to use!

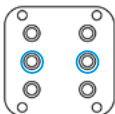
On the Enclosure

01_{/06} Insert the Sliding Nuts into the 48CA Beam on the right of the Enclosure.



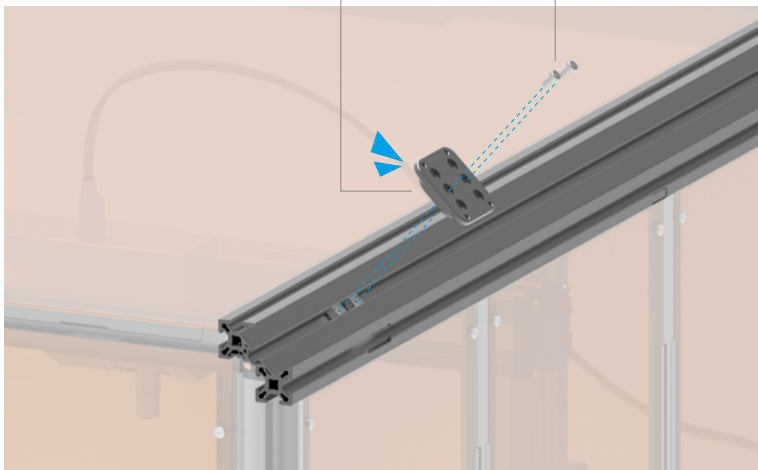
Turn off the machine before assembly.

02/06 Attach the Conversion Plate into the Sliding Nuts.

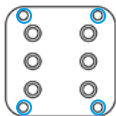


Conversion Plate × 1

M4 × 10 Hex Socket
Head Screw × 2

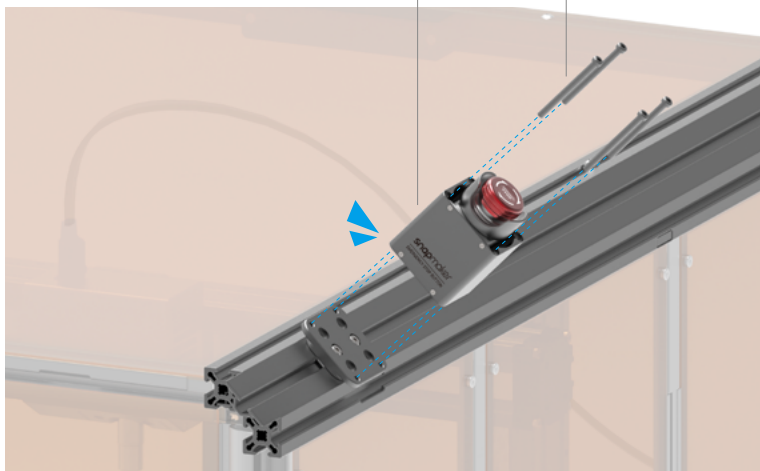


03/06 Attach the Emergency Stop Button to the Conversion Plate.

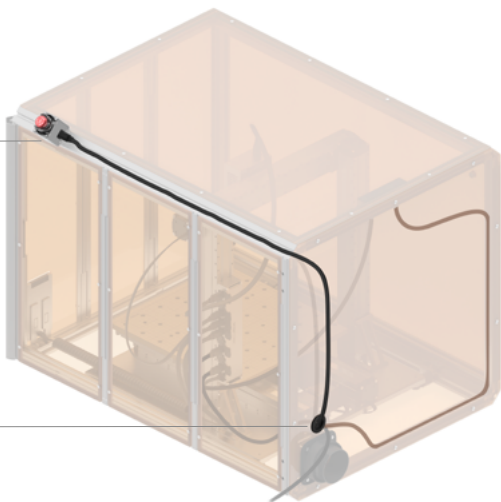


Emergency Stop Button × 1

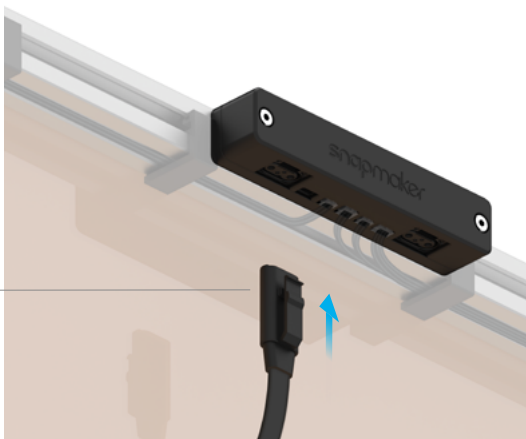
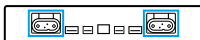
M4 × 49 Hex Socket Head Screw × 4



04/06 Insert one end of the long cable into the Emergency Stop Button. Thread the other end through the Snap Bushing on the Back Panel.

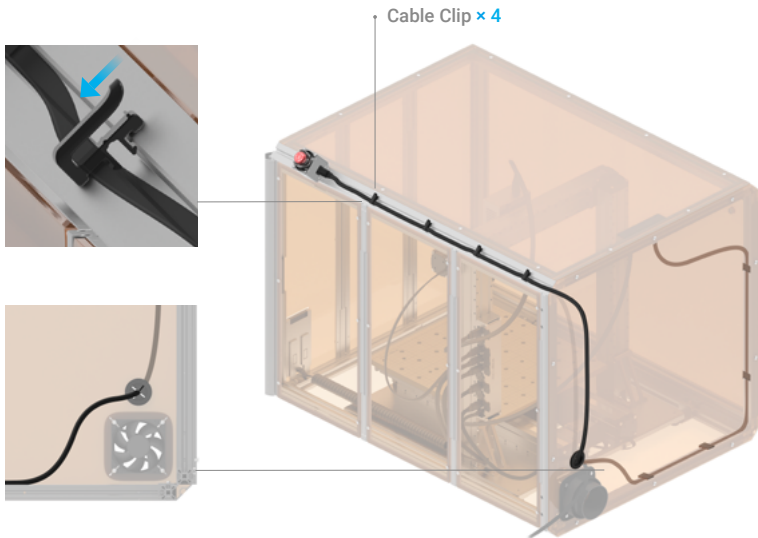


05/06 Insert the other end of the long cable into either of the Expansion Ports of the Enclosure Converter.



Do not connect or disconnect any cables when the machine is turned on.

06/06 Lock the cable with Cable Clips, and press the Clips into the groove of the 48CA Beam.





Congratulations

You are now ready to use!

3 How to Use

How It Works: Emergency Stop

The Emergency Stop Button applies to any hazardous situations that might arise while you are using Snapmaker 2.0 products. If you press the Emergency Stop Button, the red LED light flashes, a warning pops up on the Touchscreen, and all current machine operations will be stopped immediately.



Update the firmware to version 1.12.0 or above before using the Emergency Stop Button.

How It Works: Operation Resumption

To resume operation, perform the following steps:

STEP 1 Turn off the machine, and handle the emergency.

STEP 2 Release the Emergency Stop Button clockwise.

STEP 3 Restart the machine.

The green LED light flashes, and the Touchscreen returns to the Home Screen.



How It Works: Status Detection

The LED light on the Emergency Stop Button indicates the current status.



The Emergency Stop Button is connected and not activated.



The Emergency Stop Button is connected and activated.



The Emergency Stop Button fails to be connected.



The Emergency Stop Button fails to be connected.

If the Emergency Stop Button fails to connect, feel free to contact our technical support.

Resources

This guide is subject to change.

For the latest version of our Quick Start Guide:

<https://support.snapmaker.com/hc/en-us>

For the latest version of our User Manual:

<https://support.snapmaker.com/hc/en-us>

For any general information or technical support:

support@snapmaker.com

For any sales inquiries:

sales@snapmaker.com

For product purchases:


<https://shop.snapmaker.com>

Share anything you want in our forum:

<https://forum.snapmaker.com>

Share anything you want via the following channels:



 Snapmaker

$$\int_0^{\text{Wonderful}} \text{make}(x)dx = \text{snapmaker}$$