

LYY010/011

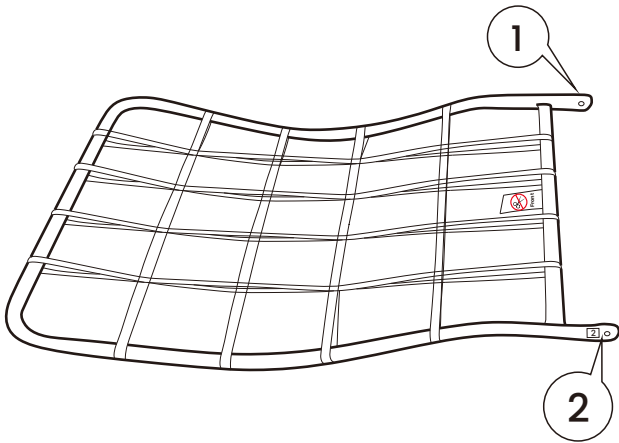
Rocking Chair



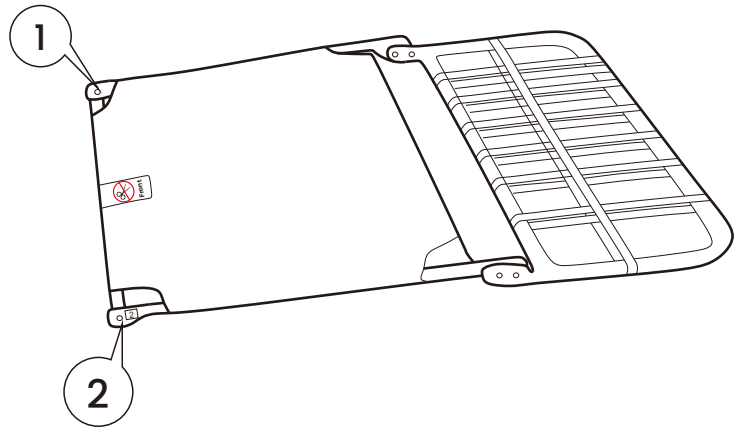
SONGMICS

by SONGMICS HOME

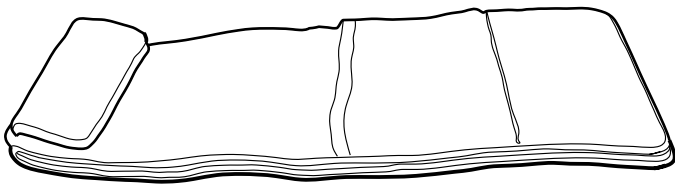
A × 1



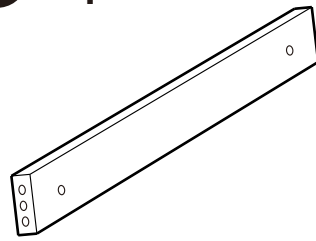
B × 1



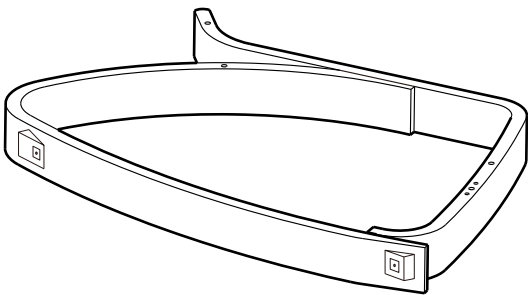
C × 1



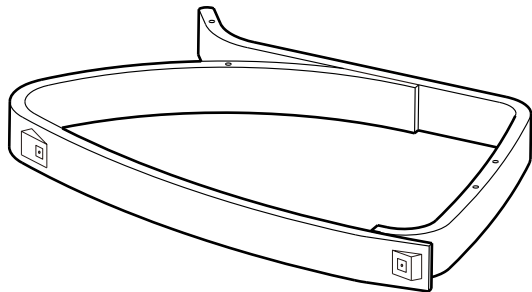
D × 1



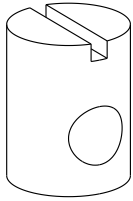
E × 1



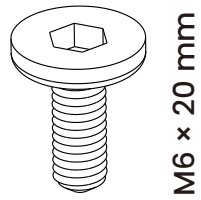
F × 1



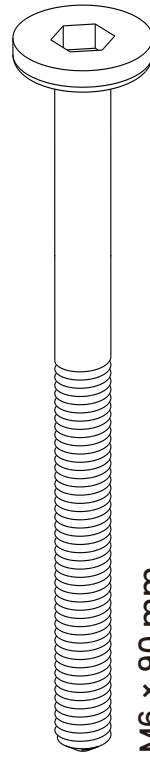
G × 2



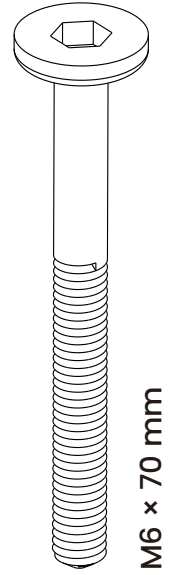
H × 2



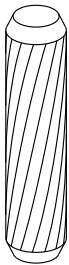
I × 2



J × 6



K × 4



L × 2



M × 2



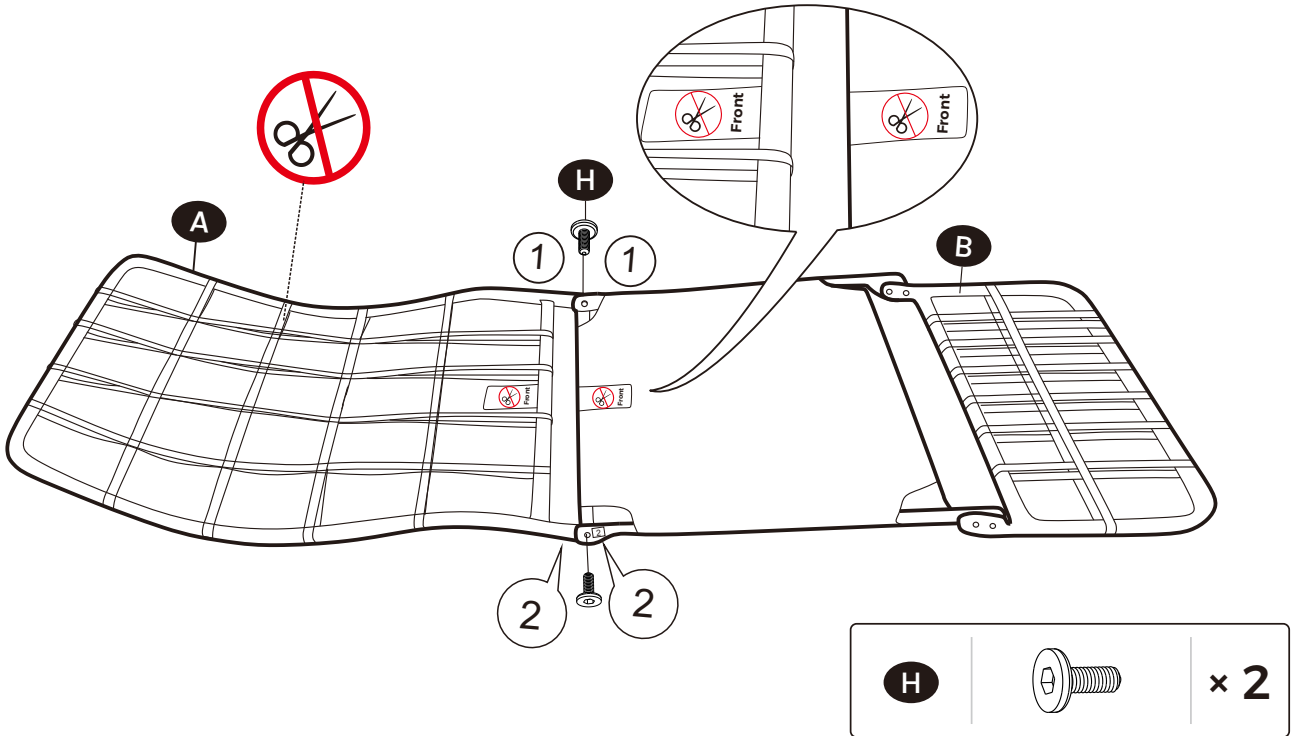
1

EN Notes:

- Do not cut the straps.
- Keep the same label on the same side during assembly.

DE Hinweise:

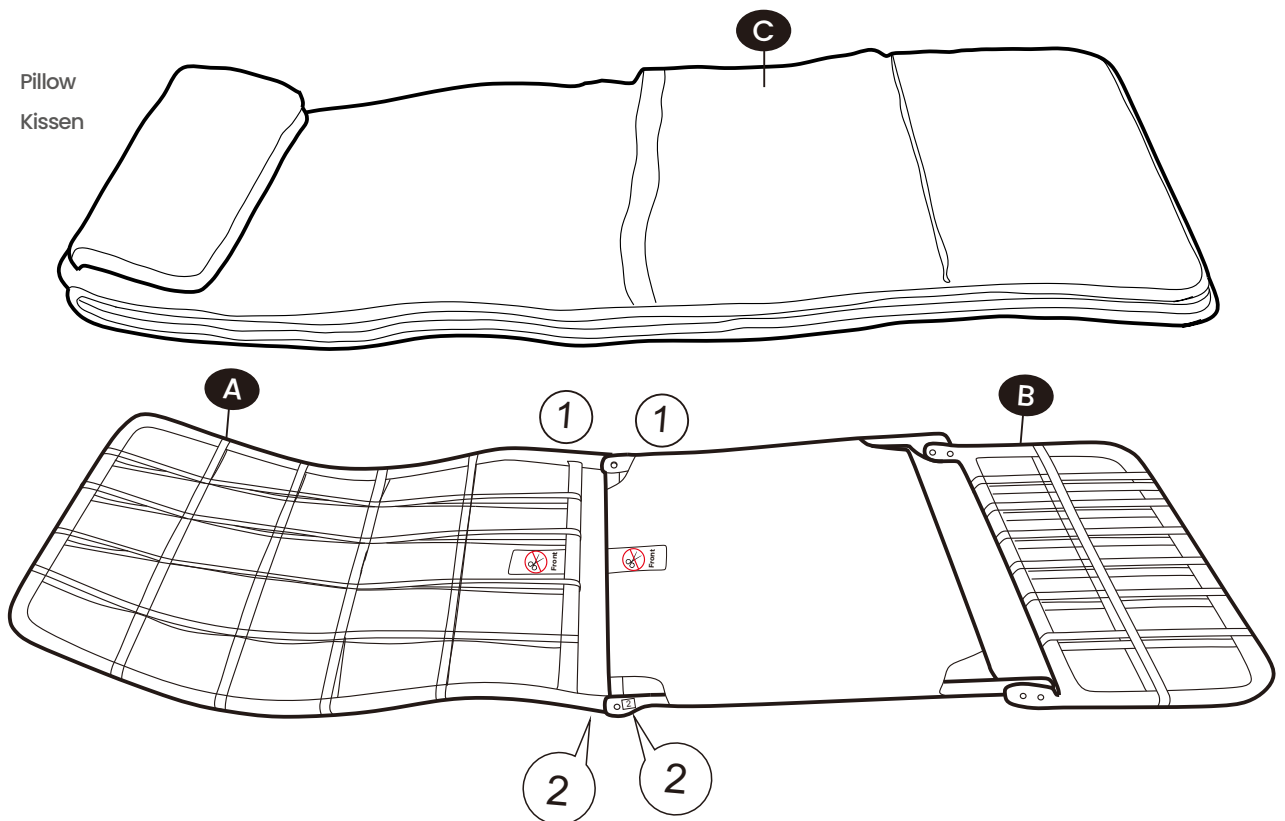
- Schneiden Sie die Bänder nicht durch.
- Bei der Montage müssen die gleichen Etiketten auf der gleichen Seite sein.



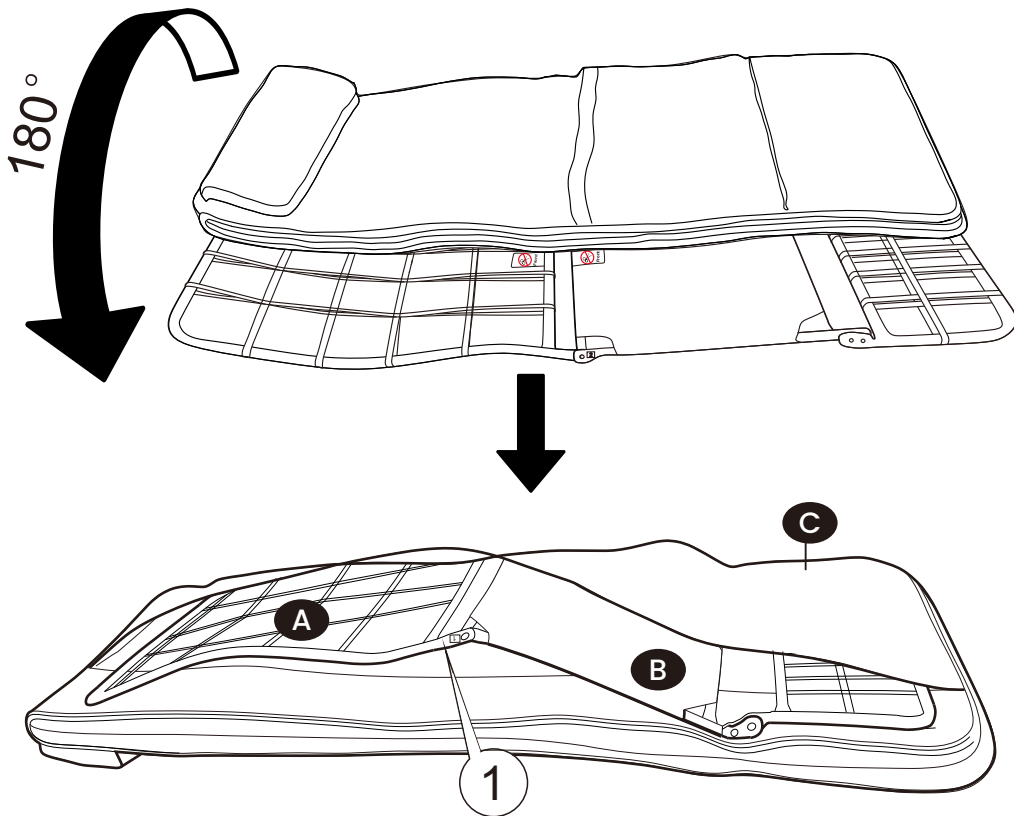
2

EN Pillow

DE Kissen

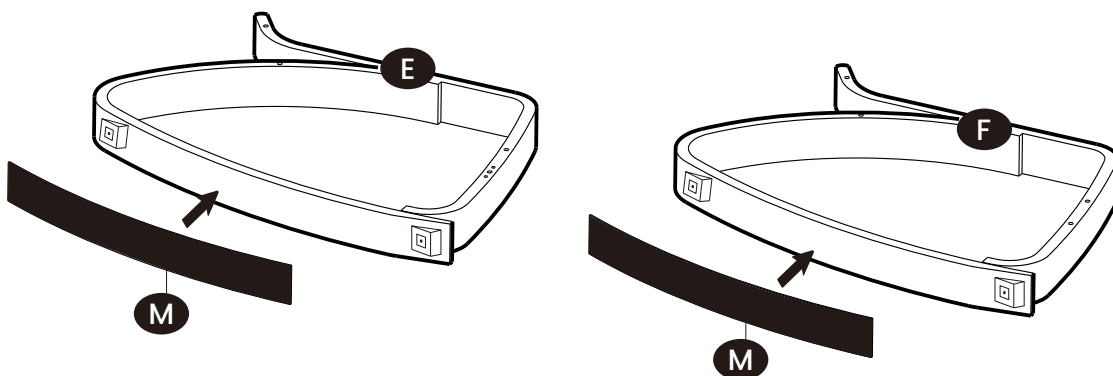


3

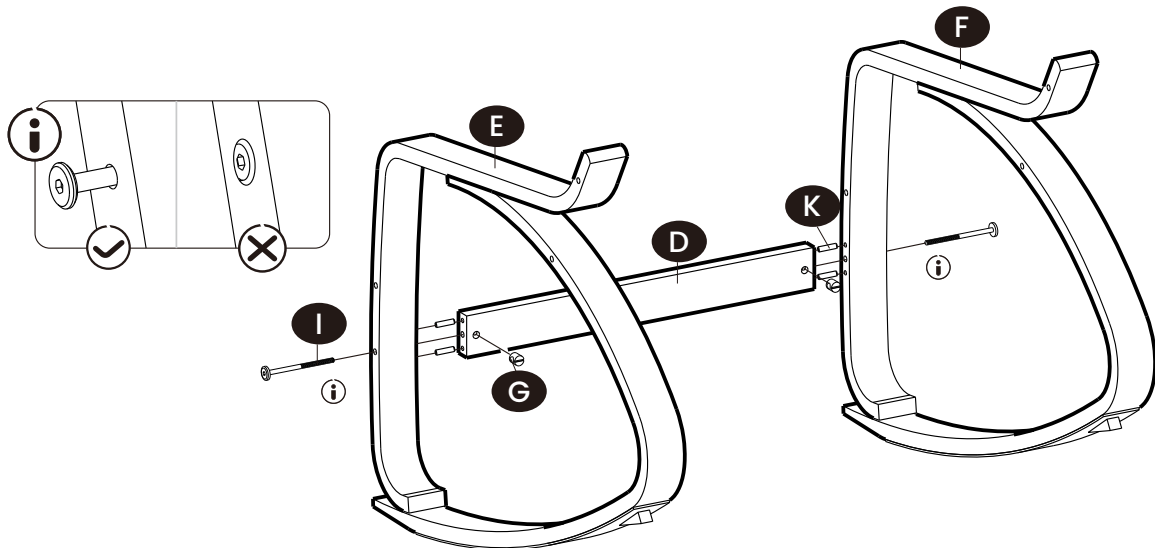


- EN**
- Put the metal frame into the cover as shown, the Label 1 should be outwards.
 - Bend the metal frame from the middle joint slightly when putting it into the cover. Straighten the metal frame after it is fully inserted into the cover.
 - Do not forcefully put the metal frame straight into the cover, otherwise, the zipper of the cover may be split.
 - When zipping up the cover, please adjust it to make the zipper slide easier and more smoothly.
- DE**
- Den Eisenrahmen wie abgebildet in die Polsterauflage legen.
 - Beim Hineinlegen krümmen Sie das mittlere Gelenk vom Eisenrahmen ein bisschen. Wenn der Eisenrahmen komplett drin ist, machen Sie ihn wieder flach.
 - Den Metallrahmen bitte nicht mit Gewalt in die Polsterauflage hineinpresse, ansonsten kann die Polsterauflage aufplatzen.
 - Beim Schließen des Reißverschlusses machen Sie die Polsterauflage flach und ordentlich, damit der Reißverschluss leichtgängig schließt.

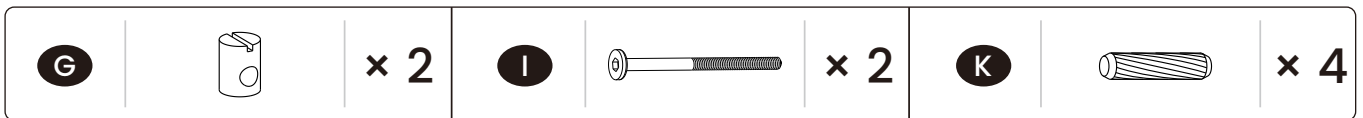
4



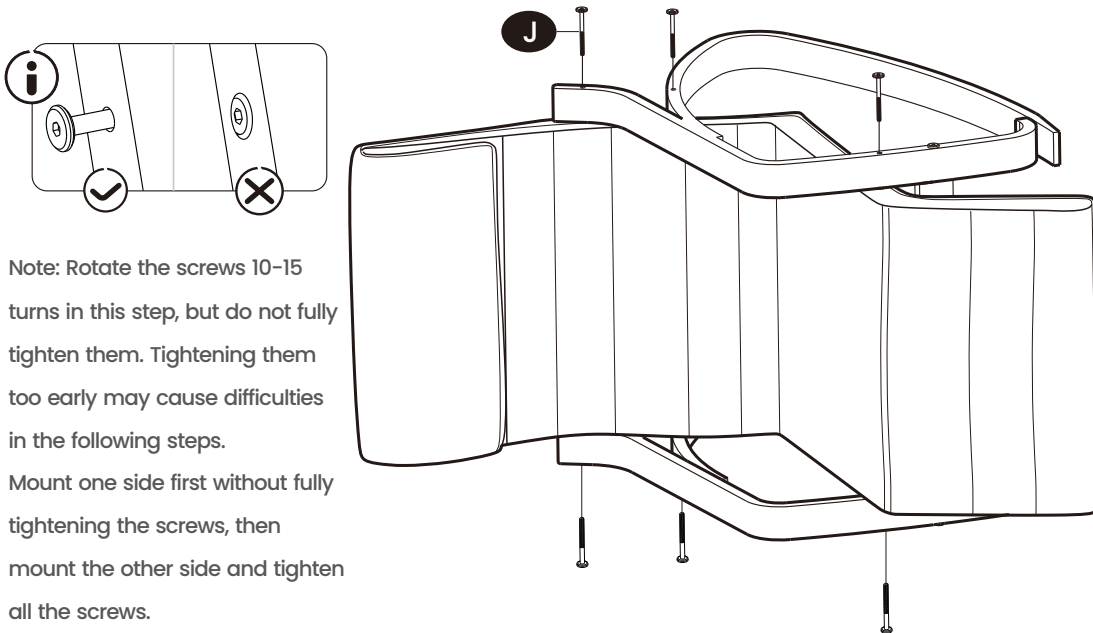
5



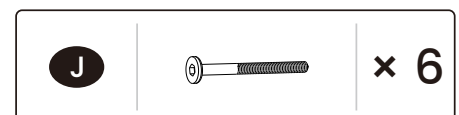
- EN** • Note: Rotate the screws 7-8 turns in this step, but do not fully tighten them. Tightening them too early may cause difficulties in the following steps.
- Mount one side first without fully tightening the screws, then mount the other side and tighten all the screws.
- DE** • Hinweis: Drehen Sie die Schrauben in diesem Schritt um 7-8 Umdrehungen und ziehen Sie sie nicht sofort fest, da ansonsten Probleme bei den nächsten Schritten auftreten könnten.
- Montieren Sie zuerst den Rahmen auf einer Seite, ohne die Schrauben festzuziehen, bringen Sie dann den Rahmen auf der anderen Seite an und ziehen Sie alle Schrauben fest.



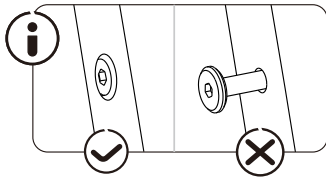
6



- EN** • Note: Rotate the screws 10-15 turns in this step, but do not fully tighten them. Tightening them too early may cause difficulties in the following steps.
- Mount one side first without fully tightening the screws, then mount the other side and tighten all the screws.
- DE** • Hinweis: Drehen Sie die Schrauben in diesem Schritt um 10-15 Umdrehungen und ziehen Sie sie nicht sofort fest, da ansonsten Probleme bei den nächsten Schritten auftreten könnten.
- Montieren Sie zuerst den Rahmen auf einer Seite, ohne die Schrauben festzuziehen, bringen Sie dann den Rahmen auf der anderen Seite an und ziehen Sie alle Schrauben fest.



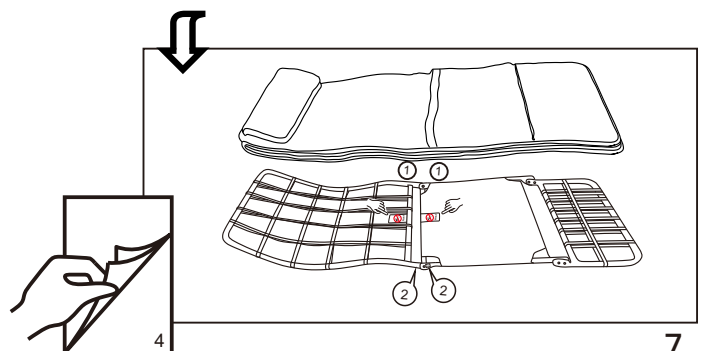
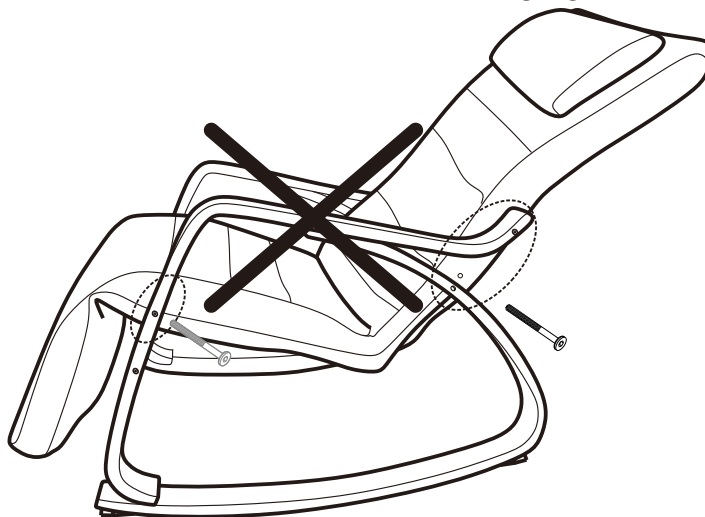
7



- EN • Note: Securely tighten all screws and regularly check during use.
- DE • Achtung: Alle Schrauben fest anziehen, und achten Sie bei Gebrauch immer auf festen Sitz der Schrauben und Verbindungen.



- EN • Please check if the screws align with the holes. If not, return to step 2 for inspection. (This illustration shows an incorrect assembly.)
- DE • Bitte überprüfen Sie, ob die Schraublöcher der Rahmen übereinander liegen. Wenn nicht, kehren Sie zu Schritt 2 zurück. (Diese Abbildung zeigt eine falsche Montage.)



Notes

Always maintain good indoor ventilation.

Place the product on a level, flat floor.

Use the product domestic and avoid direct sunlight or intense light exposure.

Keep the Bentwood Chair away from sharp objects such as scissors and knives to prevent fabric damage. Be mindful of jewelry, buttons, or other sharp accessories on clothing.

Do not place newspapers on the Bentwood Chair, as ink may transfer and leave stains.

Do not place markers, paint pens, or art supplies on the Bentwood Chair, as pigments can damage the fabric and foam.

Keep pets from scratching or biting the Bentwood Chair to prevent damage.

Position the Bentwood Chair at least 19.7" (50 cm) away from heat sources such as heaters, air conditioners, and radiators to prevent fabric hardening or deterioration.

Avoid placing faded clothing on the Bentwood Chair to prevent color transfer.

Do not allow contact with corrosive chemicals or low-quality detergents, as these may cause fading, aging, or cracking.

If you notice loose threads, do not pull them by hand. Trim them with scissors.

Over time, firmness may decrease with use, this is normal for all Bentwood Chairs. To maintain even firmness, change your seating position regularly and occasionally pat the seat area.

After removing the packaging, place the Bentwood Chair in a dry, ventilated indoor area. If not in use for an extended period, clean the Bentwood Chair and cover it with a dust cover.

Ensure the room is well-ventilated for faster expansion. Avoid prolonged exposure of the Bentwood Chair to damp floors to prevent mold growth. If you do not plan to use the Bentwood Chair immediately, store it in a dry, ventilated area after unpacking.

About Color and Size

All product images are taken by professional photographers and carefully edited to match the actual product as closely as possible. However, lighting, monitor settings, and individual perception may cause slight color variations. Images are for reference only.

Due to differences in fabric materials and manufacturing processes, slight variations in color and texture may occur between batches. These natural differences do not affect product performance.

Product dimensions are measured manually. Actual measurements may vary by 0.4"-0.8" (1-2 cm). Measurements are for reference only.

Cleaning Instructions

Daily Maintenance:

Use a dry, soft cloth to wipe away stains and debris. Use a vacuum cleaner to clean seams, armrests, and seat surfaces. Avoid using the brush attachment to prevent fabric damage. Do not use high-power vacuum cleaners, as they may loosen or tear the fabric threads. Opt for a vacuum cleaner set to a low or moderate suction level. Do not use wet cloths, abrasive materials, or acidic/alkaline chemicals, as these can damage the fabric and shorten product lifespan.

Regular Maintenance:

Clean and maintain the fabric every quarter. For spot cleaning, use a small amount of alcohol and wipe with a cloth, or use an appropriate fabric cleaner. Always read the cleaner's instructions and perform a colorfastness test before use. Use fabric cleaners with stain protection when possible. Silicone-based sprays can help repel dust and may be applied monthly.