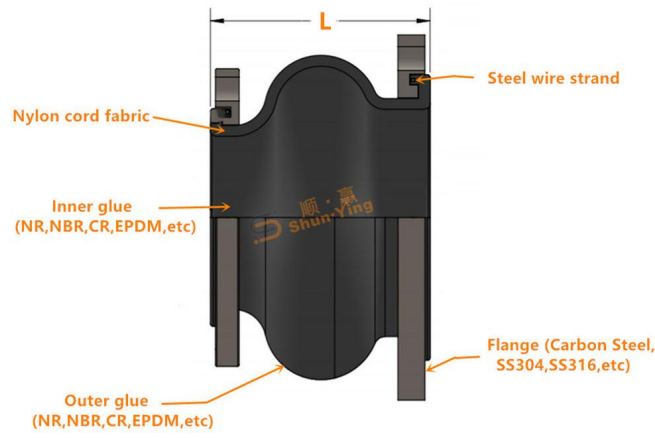


Concentric & Eccentric Rubber Expansion Joint

TECHNICAL PARAMETERS




Item/ Model	1	2	3
Working pressure Mpa(kgf/cm ²)	1.0(10)	1.6 (16)	2.5 (25)
Explosive pressure Mpa (kgf/cm ²)	2.0 (20)	3.0 (30)	4.5 (45)
Vacuum Kpa (mm/Hg)	53.3 (400)	86.7 (650)	100 (750)
Applicable temperature °C	-15°C~+115°C special up to -30°C~+250°C		
Applicable medium	compressed air, water, sea water, hot water, oil, acid, etc		

The reducer rubber joint is a pipe joint with high elasticity, high air tightness, medium resistance and weather resistance. The different-diameter rubber compensating joint is mainly applied to special pipelines with different diameters of two ports, which solves the trouble of changing the vibration of the pipeline thickness and plays an excellent effect of shock absorption and noise reduction.

MAIN DATA:

Nominal diameter	The installation length	Axial displacement		The radial displacement	Deflexion	Nominal diameter	The installation length	Axial displacement		The radial displacement	Deflexion
		Extension n(mm)	Compression n(mm)					Extension n(mm)	Compression (mm)		
50×32	180	20	30	45	35°	250×125	220	25	35	40	30°
50×40	180	20	30	45	35°	250×150	220	25	35	40	30°
65×40	180	20	30	45	35°	250×200	220	25	35	40	30°
65×50	180	20	30	45	35°	300×125	220	25	35	40	30°
80×40	180	20	30	45	35°	300×150	220	25	35	40	30°
80×50	180	20	30	45	35°	300×200	220	25	35	40	30°
80×65	180	20	30	45	35°	300×250	220	25	35	40	30°
100×40	180	20	30	45	35°	350×150	240	25	35	40	30°
100×50	180	20	30	45	35°	350×200	240	28	38	35	26°
100×65	180	22	30	45	35°	350×250	240	28	38	35	26°
100×80	180	22	30	45	35°	350×300	240	25	35	40	30°
125×50	200	22	30	45	35°	400×200	240	25	35	40	30°
125×65	200	22	30	45	35°	400×250	240	28	38	40	30°
125×80	200	22	30	45	35°	400×300	240	28	38	40	30°
125×100	200	22	30	45	35°	400×350	240	28	38	40	30°
150×50	200	22	30	45	35°	450×300	240	28	38	40	30°
150×65	200	22	30	45	35°	450×350	240	28	38	40	30°
150×80	200	22	30	45	35°	450×400	240	28	38	40	30°
150×100	200	22	30	45	35°	500×350	240	28	38	40	30°
150×125	200	22	30	45	35°	500×400	240	28	38	40	30°
200×80	200	22	30	40	30°	500×450	240	28	38	40	30°
200×100	200	22	30	40	30°	600×400	240	28	38	40	30°
200×125	200	25	30	40	30°	600×450	240	28	38	40	30°
200×150	200	25	35	40	30°	600×500	240	28	38	40	30°

Notes: 1. Please send us letter and drawing for customization if you have special requirements.
2. Flange Standard : Flange is available with ANSI / JIS/ BS/ GB/ GOST Standard and so on.

 <p>河南顺赢新能源有限公司 Henan Shunying New Energy Co.,Ltd.</p>	Proposal/Inquiry/Order No:	NOTES:
	Customer Name:	
	Project Name:	
	Contractor:	