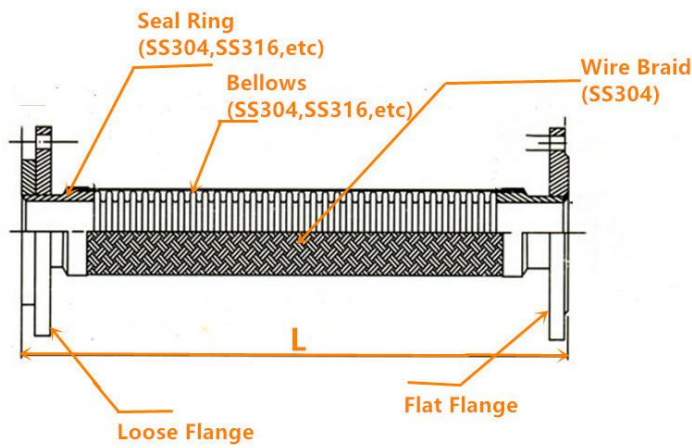


## Loose flange metal corrugated hose



TECHNICAL PARAMETERS	
Working pressure	0.6-4.0Mpa
Working temperature	- 15 ~ 400℃
Material	stainless steel, carbon steel
Connection method	flange type
Applicable medium:	liquid, gas, weak acid and alkali, oil, etc.


Loose flange metal corrugated hoses are mainly composed of bellows, mesh sleeves, flanges and joints. The loose flange is sleeved on the pipe end by using a flange, a steel ring, etc., and the flange can be moved on the pipe end. Steel rings or flanges are the sealing faces, and the flanges act to compress them. Because it is blocked by the steel ring or flange, the loose flange is not in contact with the medium, so it can be installed more viable.

### MAIN DATA:

Nominal diameter	Inside diameter	Outside diameter mm		Minimum bending radius		Maximum working pressure Mpa	
		Bellwos	With inner braided	Static	Dynamic	Inner braided	Outside braided
8	8.8	13.2	14.4	50	110	15	20
10	11.7	16.5	17.7	65	145	15	20
15	13.5	19.5	21.1	80	180	15	20
20	20	27	28.6	120	270	10	15
25	27	34.5	36.1	160	360	63	10
32	32	40	41.6	175	400	40	63
40	39.6	52	53.6	225	510	40	63
50	49.7	62	63.6	280	640	30	50
65	61.2	80.2	81.8	410	915	30	50
80	79	96.3	97.9	486	1030	30	50
100	101.2	119.6	121.2	610	1340	25	40
125	124.1	145.3	146.9	700	1540	25	40
150	149.4	180.8	182.4	810	1780	25	40
200	176	240	243.2	1000	2000	25	40
250	248	290	294	1250	2500	25	40
300	298	350	354	1500	3000	16	25
350	347.6	400	404.8	1750	3500	16	25
400	397.6	460	464.8	2000	4000	16	25

Notes: 1、 Flange is available with DIN Standard,ANSI Standard,JIS Standard,and BS Standard.

2、 Please sent us letter and drawing for customization if you have special requirements.

 <b>河南顺赢新能源有限公司</b> Henan Shunying New Energy Co.,Ltd.	Proposal/Inquiry/Order No:	NOTES:
	Customer Name:	
	Project Name:	
	Contractor:	