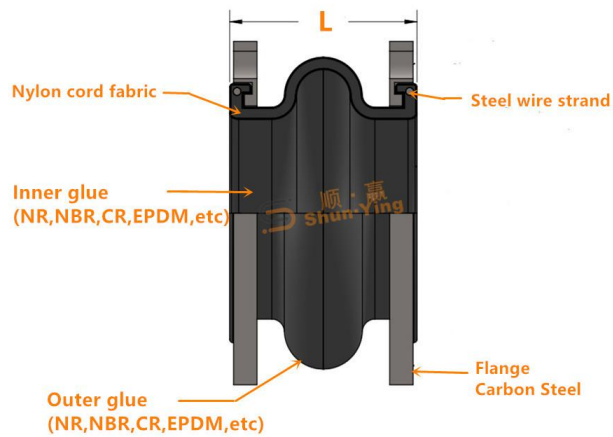


Carbon Steel Flange Single Sphere Rubber Joint

TECHNICAL PARAMETERS



Item/ Model	1	2	3
Working pressure Mpa(kgf/cm ²)	1.0(10)	1.6 (16)	2.5 (25)
Explosive pressure Mpa (kgf/cm ²)	2.0 (20)	3.0 (30)	4.5 (45)
Vacuum Kpa (mm/Hg)	53.3 (400)	86.7 (650)	100 (750)
Applicable temperature °C	-15°C~+115°C special up to -30°C~+250°C		
Applicable medium	compressed air, water, sea water, hot water, oil, acid, etc		


Spray-painted carbon steel flange rubber joints are made of independent rubber layers and reinforcement materials which are vulcanized together after moulding or moulding. Spray-painted carbon steel flanges can be made in different colors according to different needs of customers.

MAIN DATA:

Nominal Diameter(DN)		Length	Axial displacement		Horizontal displacement	Angular deflection
mm	inch	mm	Extension(mm)	Compression(mm)	mm	(a1+a2)
32	1¼	95	6	9	9	15°
40	1½	95	6	10	9	15°
50	2	105	7	10	10	15°
65	2½	115	7	15	11	15°
80	3	135	8	19	12	15°
100	4	150	10	19	13	15°
125	5	165	12	20	13	15°
150	6	180	12	25	14	15°
200	8	210	16	25	22	15°
250	10	230	16	25	22	15°
300	12	245	16	25	22	15°
350	14	255	16	25	22	15°
400	16	255	16	25	22	15°
450	18	255	16	25	22	15°
500	20	255	16	25	22	15°
600	24	260	16	25	22	15°
700	28	260	16	25	22	15°
800	32	260	16	25	22	15°
900	36	260	16	25	22	15°
1000	40	260	18	26	24	15°
1200	48	260	18	26	24	15°
1400	56	350	20	28	26	15°
1600	64	350	25	35	30	10°
1800	72	350	25	35	30	10°
2000	80	420	25	35	30	10°
2200	88	420	25	35	30	10°
2400	96	420	25	35	30	10°
2600	104	450	25	35	30	10°
2800	112	450	25	35	30	10°
3000	120	500	25	35	30	10°

Notes:1.Please sent us letter and drawing for customization if you have special requirements.

2.Flange Standard :Flange is available with ANSI / JIS/ BS/ GB/ GOST Standard and so on.

 <p>河南顺赢新能源有限公司 Henan Shunying New Energy Co.,Ltd.</p>	Proposal/Inquiry/Order No:	NOTES:
	Customer Name:	
	Project Name:	
	Contractor:	