

Gate valve

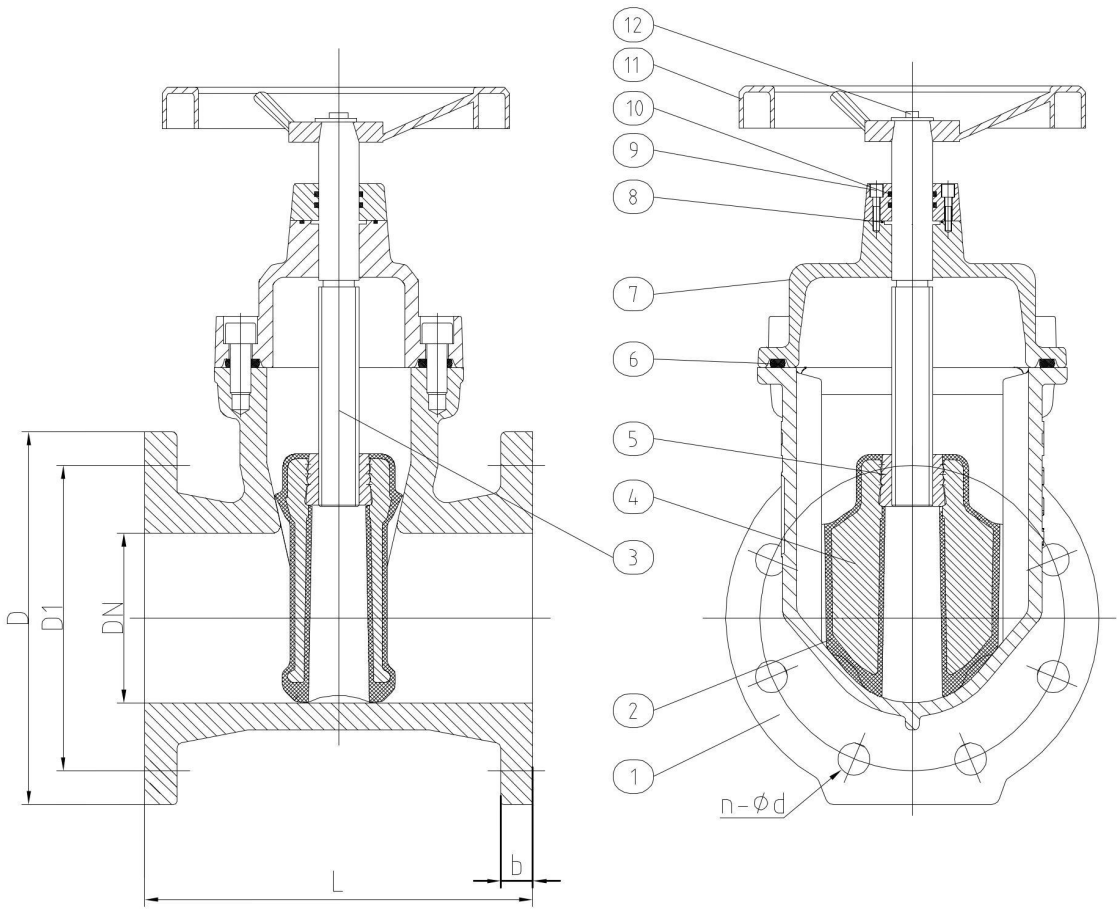
Nominal Pressure	1.0		Mpa
Testing Pressure	Shell	2.0	
	Sealing	1.1	

1. STANDARD MATERIALS OF MAIN PARTS

ITEM	PART NAME	MATERIAL
1	Body	DI
2	Seat	EPDM
3	Shaft	SS420
4	Disc	DI
5	Wedge Nut	Brass
6	Bonnet Gasket	EPDM
7	Bonnet	DI
8	Sealing ring	EPDM
9	Socket head screw	SS
10	O-ring	EPDM
11	Hand Wheel	DI
12	Stem Nut	SS

2. DIMENSIONS: (mm)

DN	L	ANSI 150			
		D	D1	b	n-Ød
50	178	152	120.5	15.9	4-19
65	190	178	139.5	17.5	4-19
80	203	191	152.5	19.1	4-19
100	229	229	190.5	23.9	8-19
125	254	254	216	23.9	8-22
150	267	279	241.5	25.4	8-22
200	292	343	298.5	28.6	8-22
250	330	406	362	30.2	12-25
300	356	483	432	31.8	12-25
350	381	533	476	35	12-29
400	406	597	539.5	36.6	16-29
500	457	699	635	42.9	20-32
600	508	813	749.5	47.7	20-35




Gate Valve			
DRAWING	X.L	CHECK	QL.S

Gate valve is one of the most widely used valves in various fluid transportation projects. In traditional gate valves, there are common phenomena such as fluid leakage and serious internal corrosion.

Common soft-seal gate valves and stems on the market The shaft seal is easy to leak, and it is impossible to replace the seal ring under the condition of constant water and any opening.

Henan Shunying elastic seat seal gate valve adopts novel structural design, strict manufacturing technology and high-performance new materials, which overcomes the traditional gate seal failure.

The internal parts, especially the gate plate, are easy to be corroded and rubber elastic. Suitable for domestic water system, water supply and drainage system, sewage treatment system, chemical fluid transportation system It can be used as a cut-off device on fluid pipelines in construction, urban environmental protection, petrochemical, pharmaceutical, food, metallurgy, textile, power and other industries (not suitable for throttling).

 河南顺赢新能源有限公司 Henan Shunying New Energy Co.,Ltd.	Proposal/Inquiry/Order No:	NOTES:
	Customer Name:	
	Project Name:	
	Contractor:	